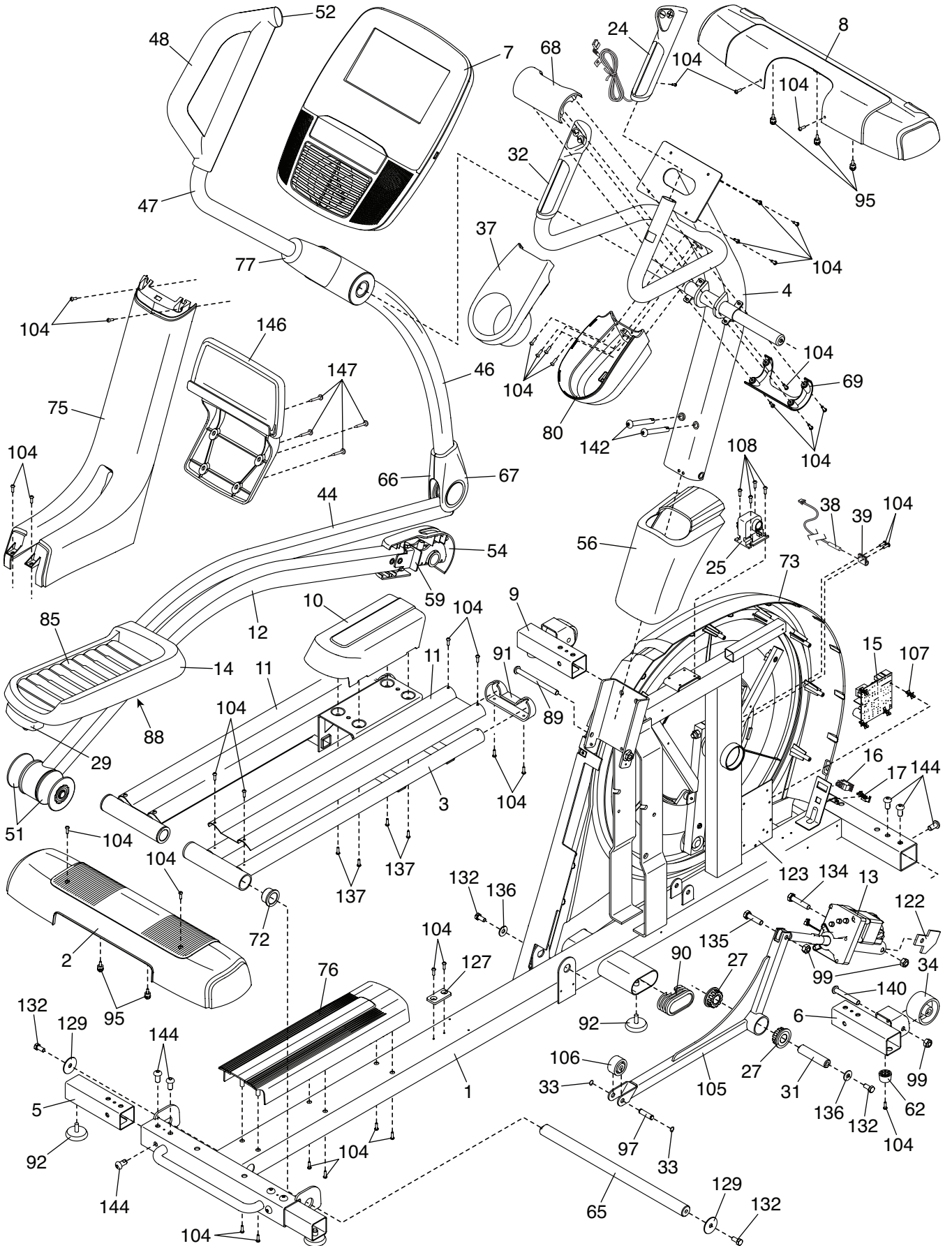


# EXPLODED DRAWING A

Model No. NTEL71214.0 R0315A



# EXPLODED DRAWING B

Model No. NTEL71214.0 R0315A

