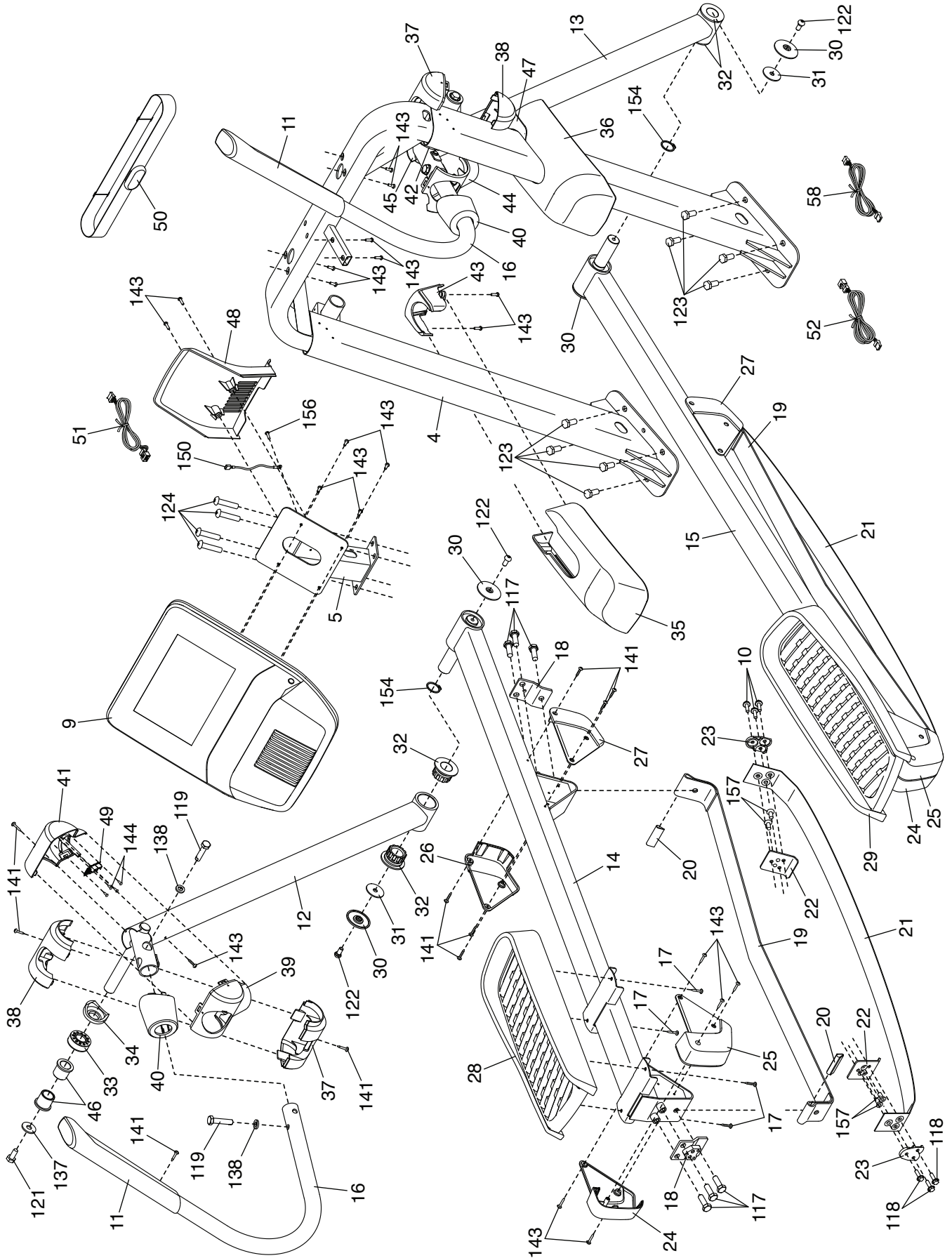


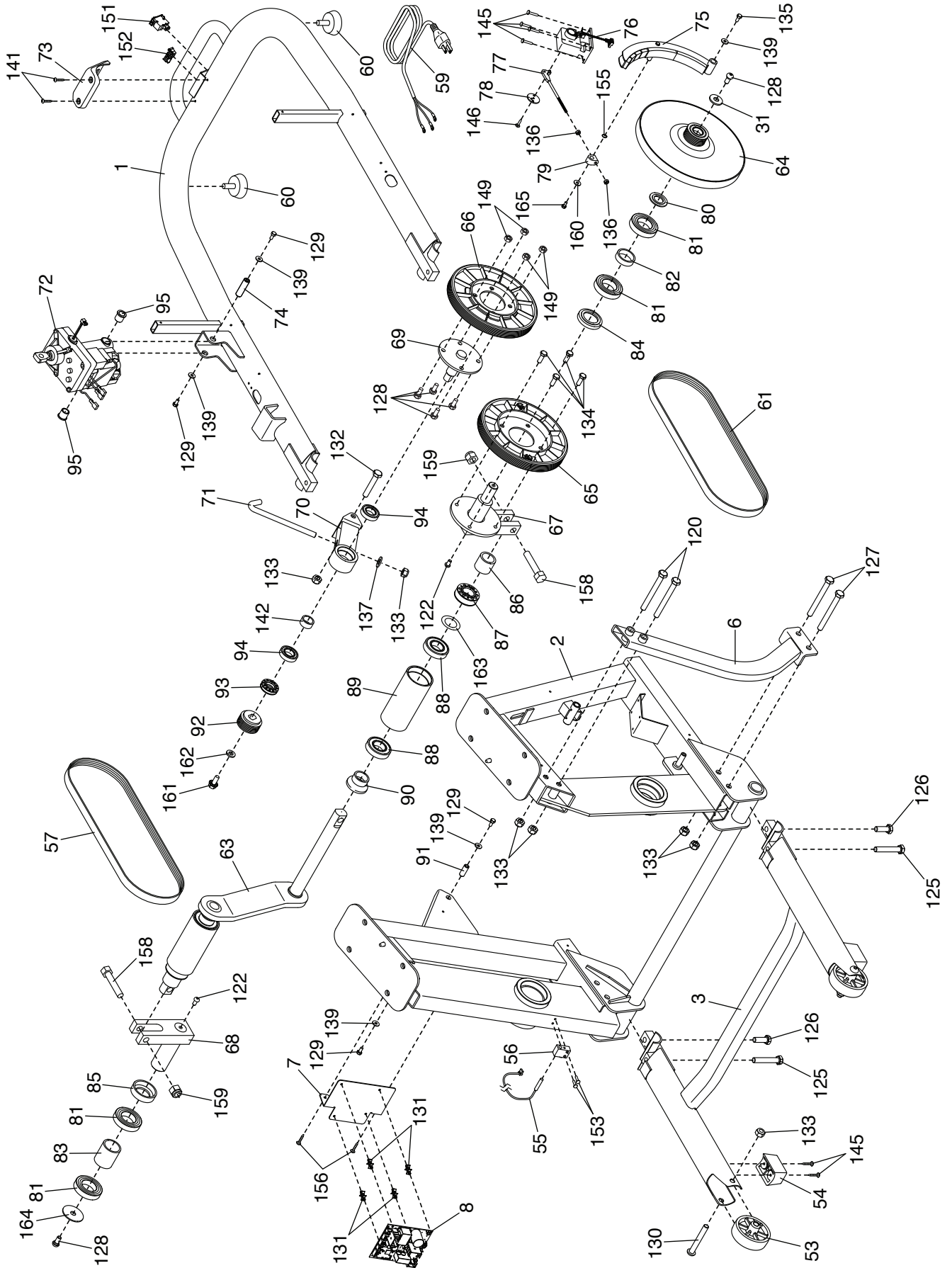
# EXPLODED DRAWING A

Model No. NTEL71320.0 R1219B



# EXPLODED DRAWING B

Model No. NTEL71320.0 R1219B



# EXPLODED DRAWING C

Model No. NTEL71320.0 R1219B

