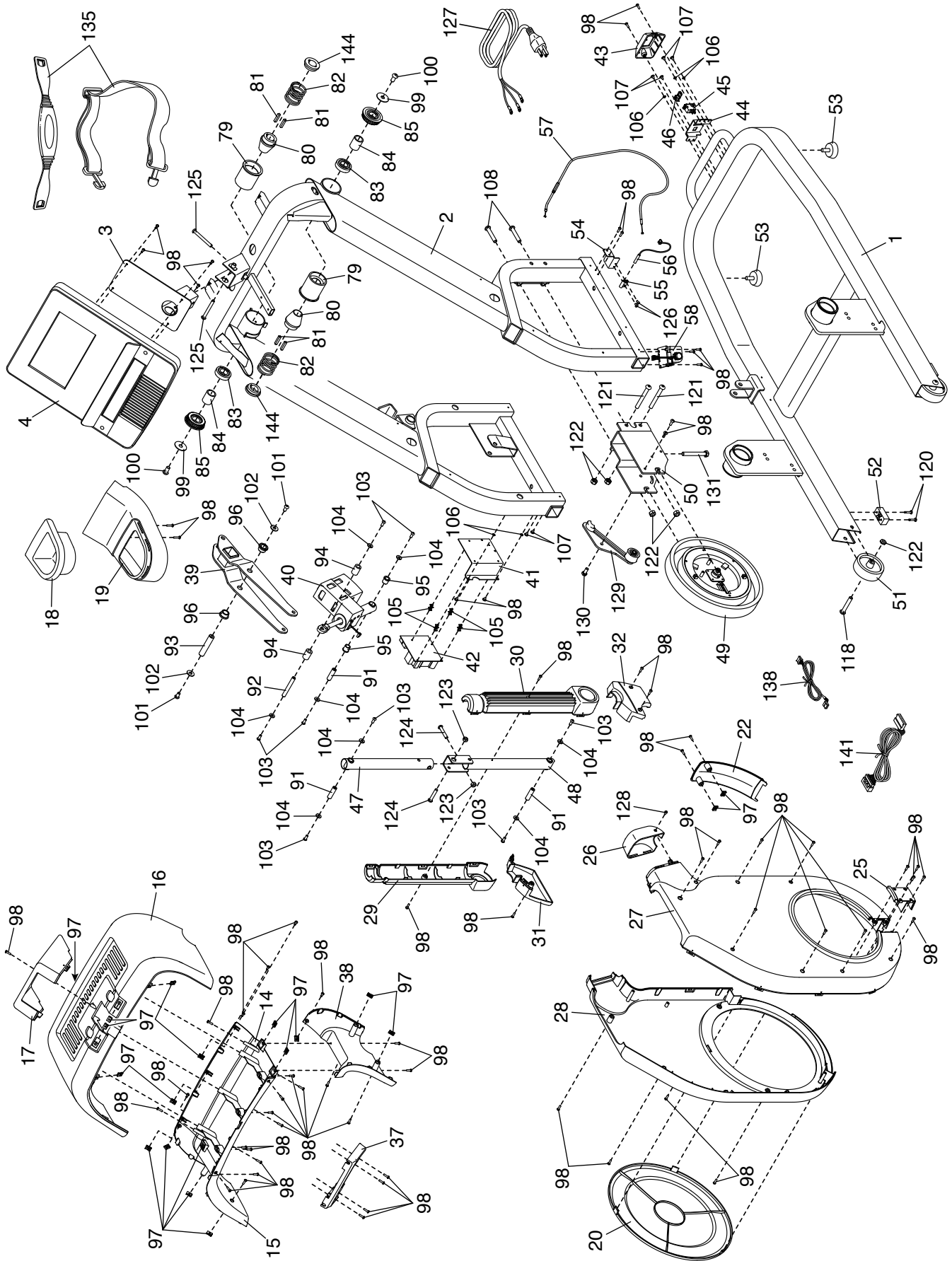


# EXPLODED DRAWING A

Model No. NTEL71613.5 R1016B



# EXPLODED DRAWING B

Model No. NTEL71613.5 R1016B

