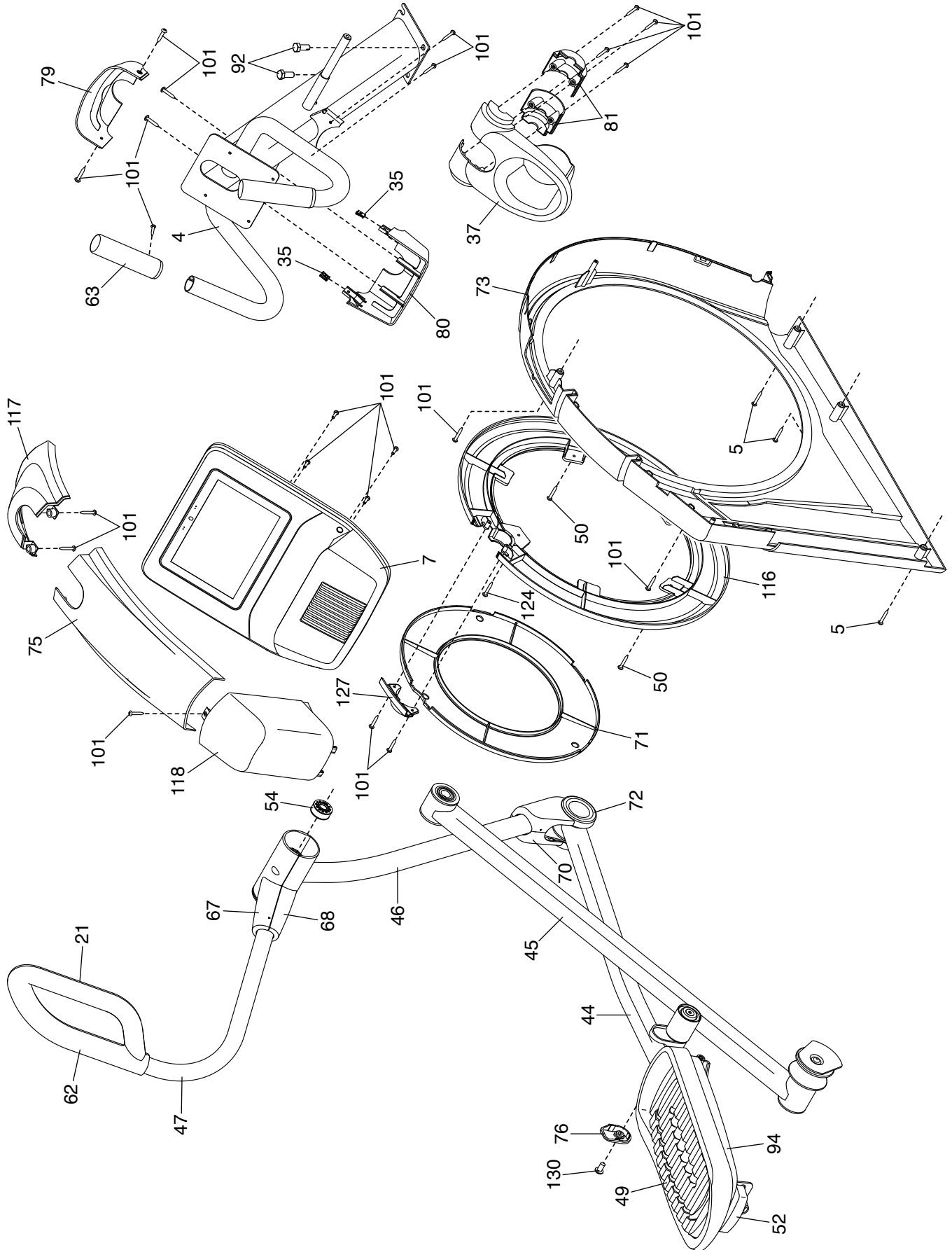


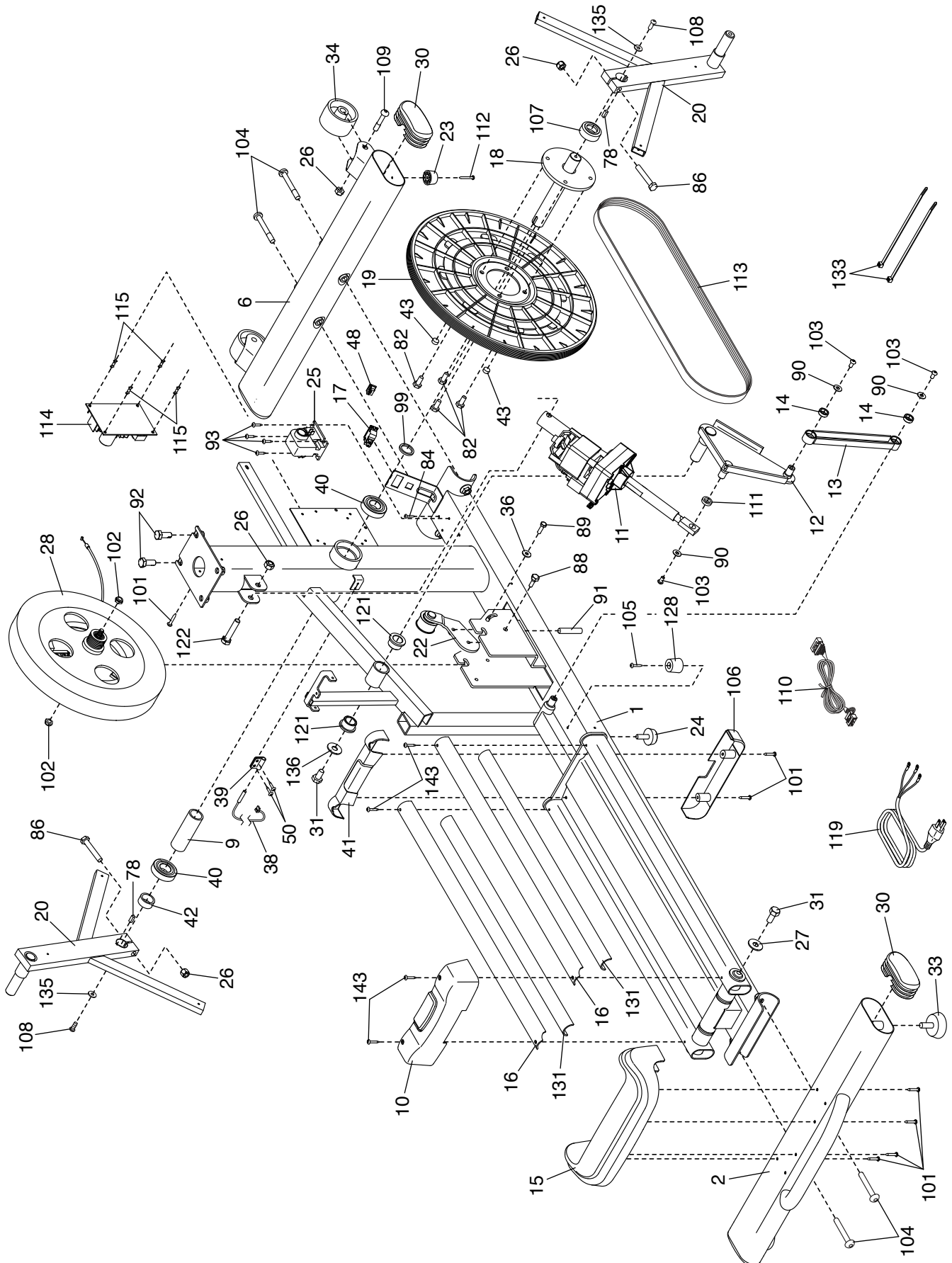
EXPLODED DRAWING A

Model No. NTEL79820C.1 R0221A



EXPLODED DRAWING B

Model No. NTEL79820C.1 R0221A



EXPLODED DRAWING C

Model No. NTEL79820C.1 R0221A

