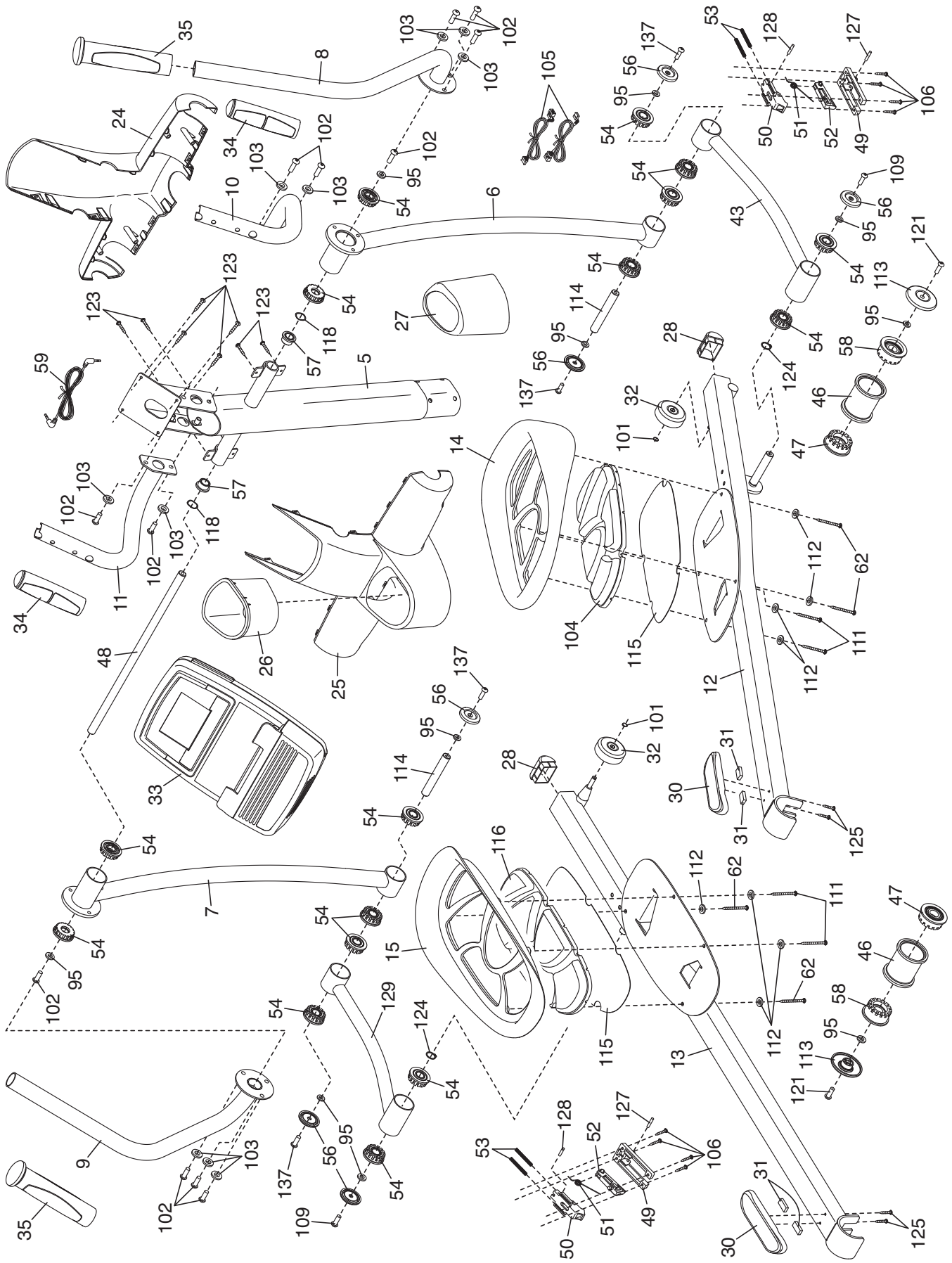
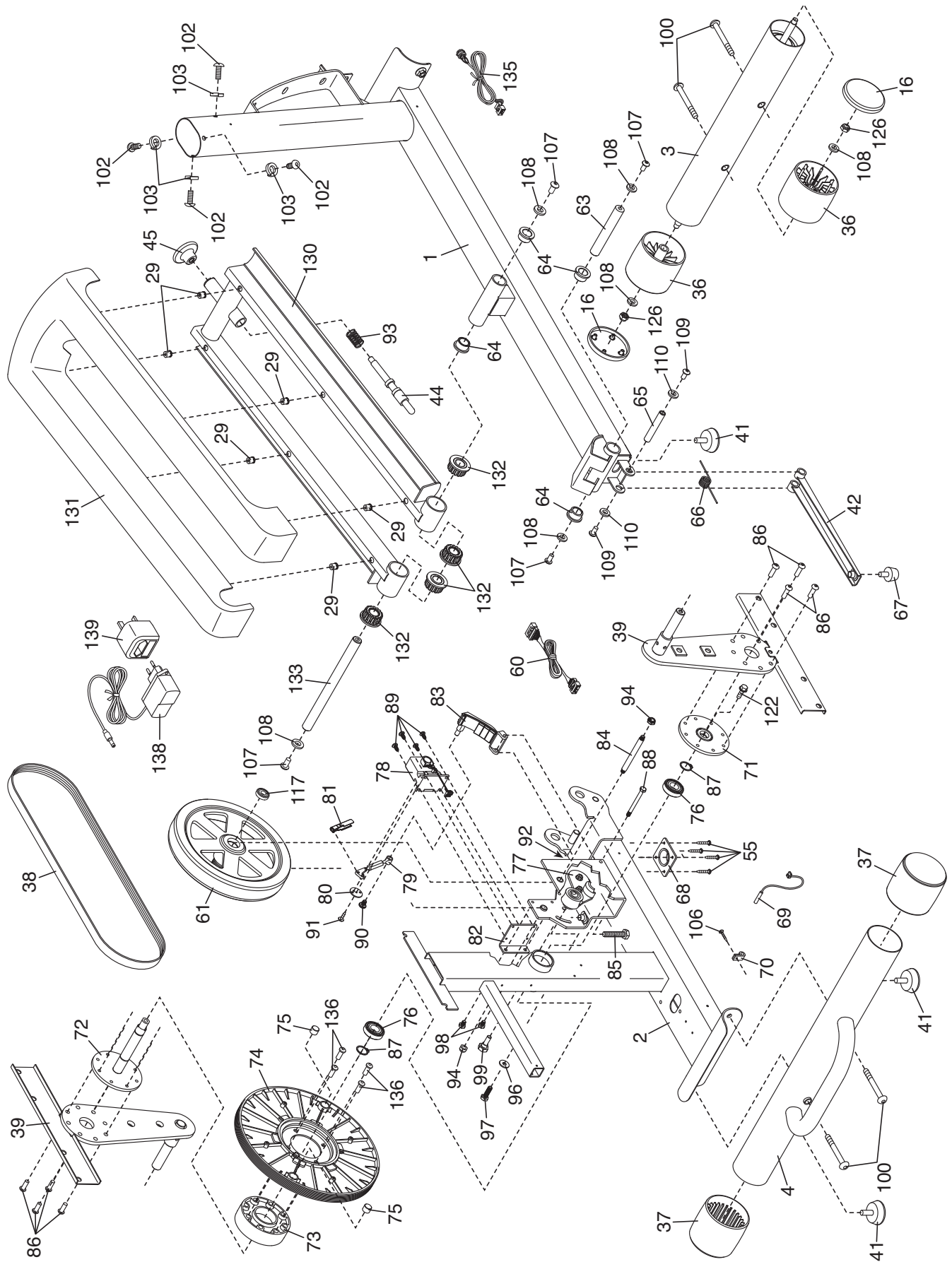


EXPLODED DRAWING A – Model No. NTEVEL87910.0 R0710A



EXPLODED DRAWING B—Model No. NTEVEL87910.0 R0710A



EXPLODED DRAWING C—Model No. NTEVEL87910.0 R0710A

