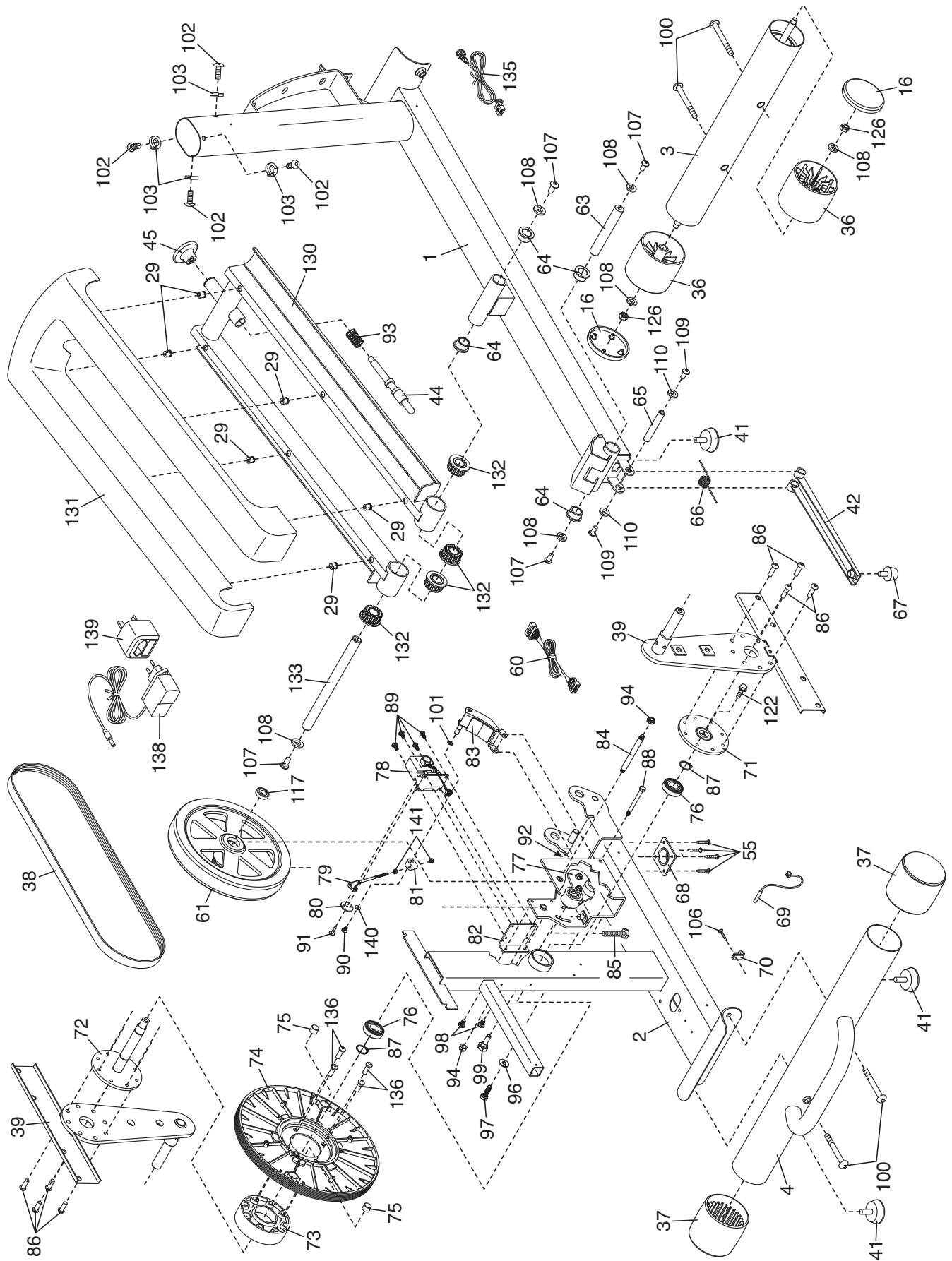


EXPLODED DRAWING B

Model No. NTEVEL87910.1 R0111A



EXPLODED DRAWING C

Model No. NTEVEL87910.1 R0111A

