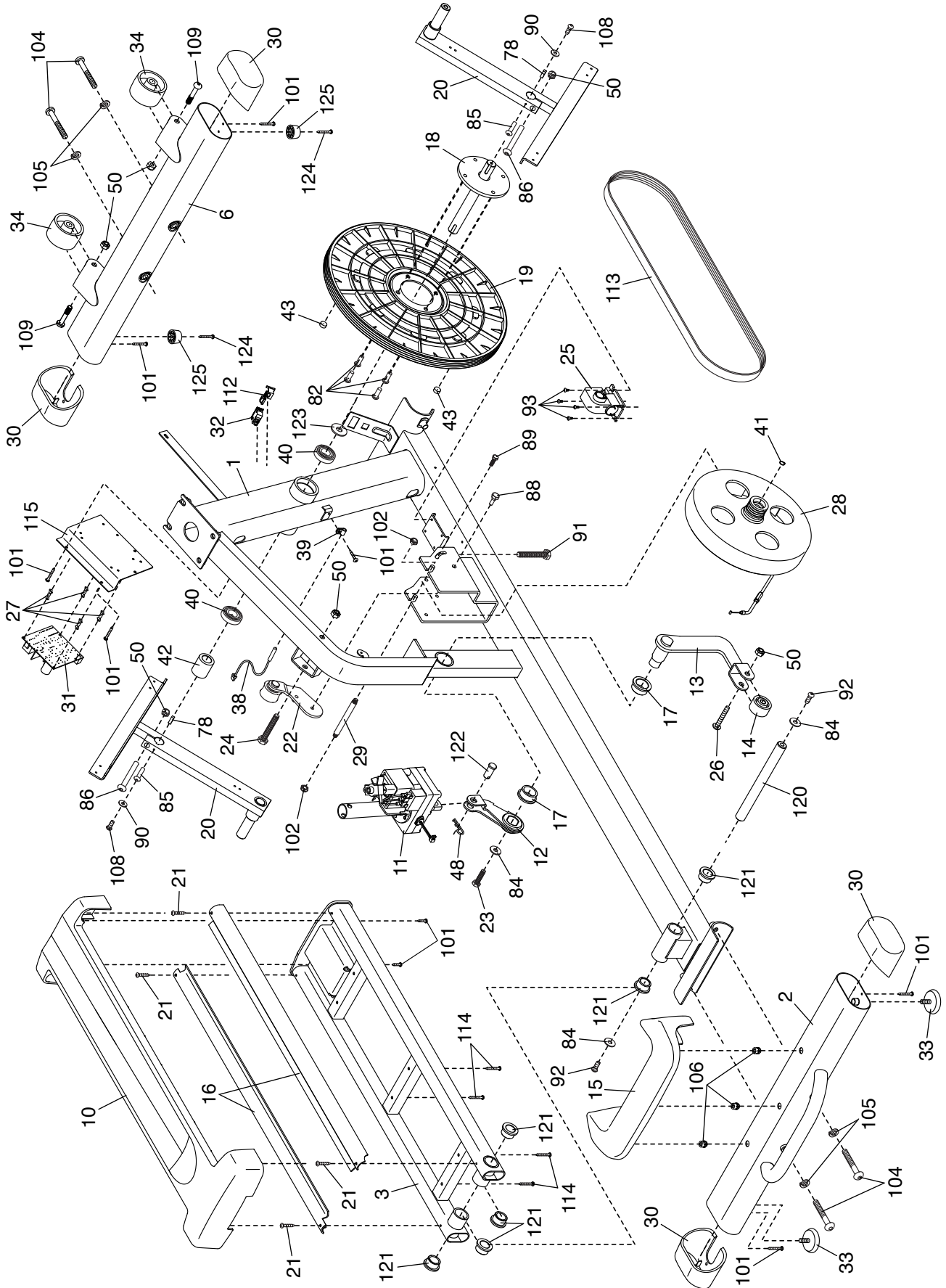


EXPLODED DRAWING A

Model No. NTEVEL99915.1 R0515A



EXPLODED DRAWING B

Model No. NTEVEL99915.1 R0515A

