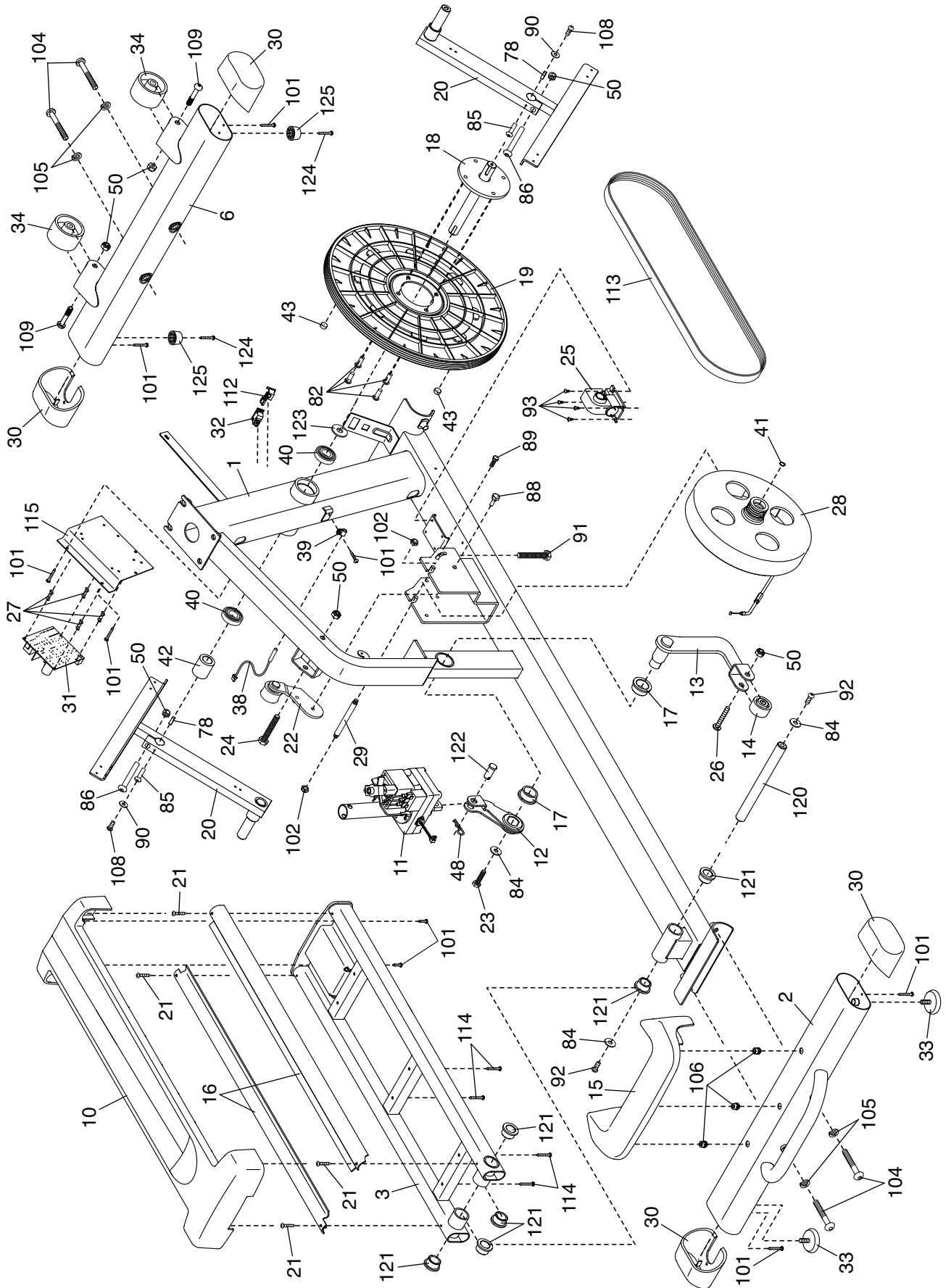


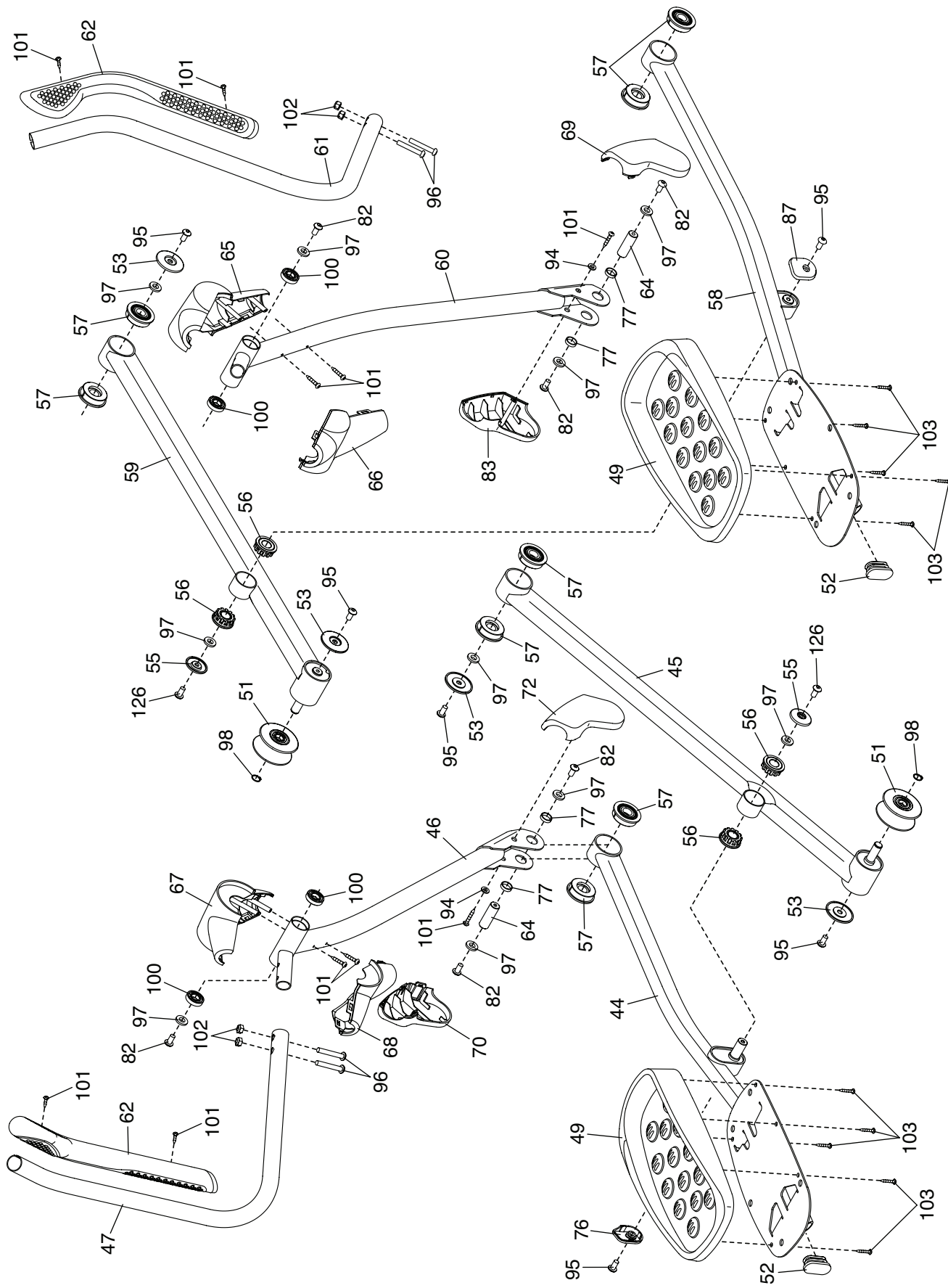
EXPLODED DRAWING A

Model No. NTEVEL99915.2 R0116A



EXPLODED DRAWING B

Model No. NTEVEL99915.2 R0116A



EXPLODED DRAWING C

Model No. NTEVEL99915.2 R0116A

