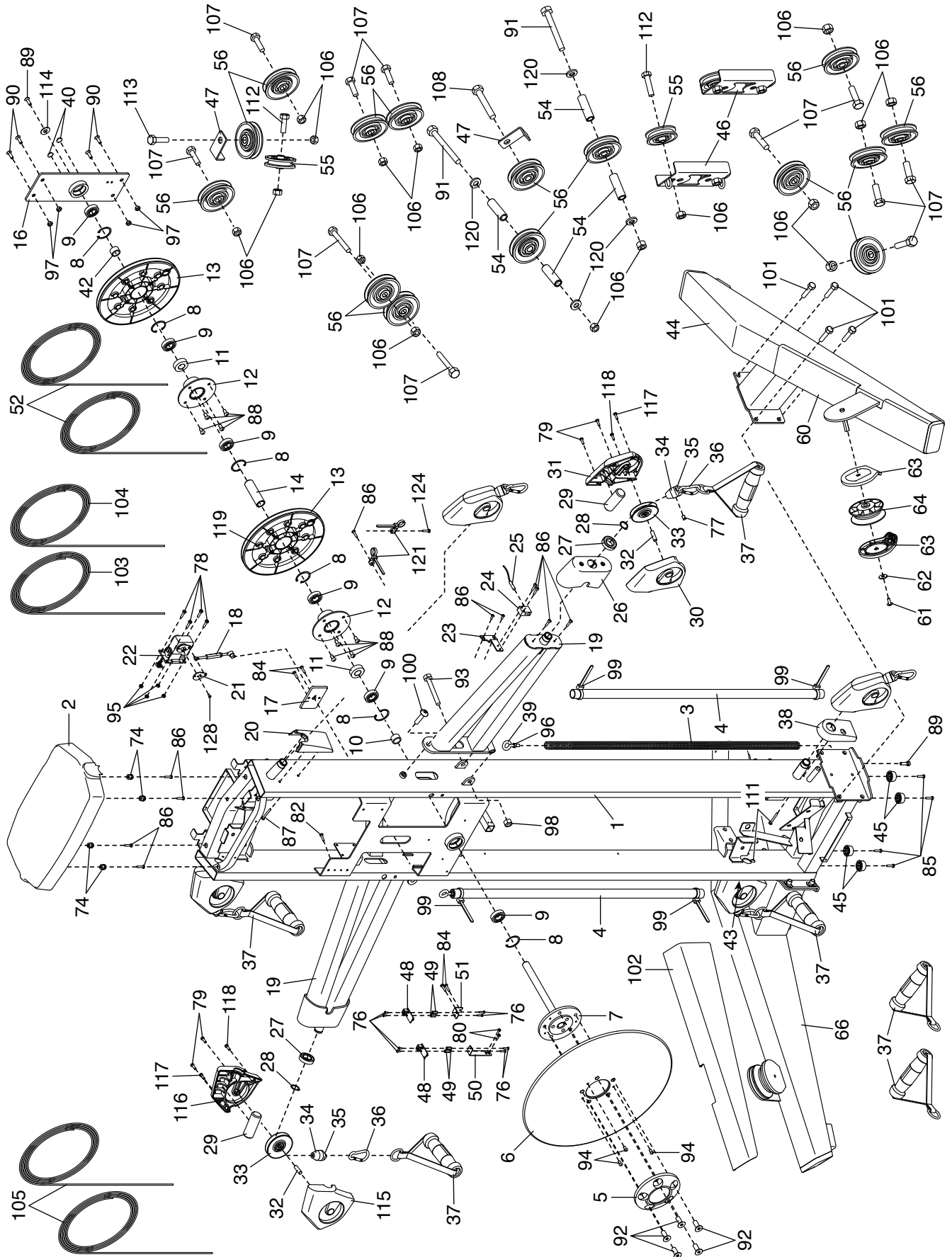


EXPLODED DRAWING A

Model No. NTEVSY22917-CH.0 R0818A



EXPLODED DRAWING B

Model No. NTEVSY22917-CH.0 R0818A

