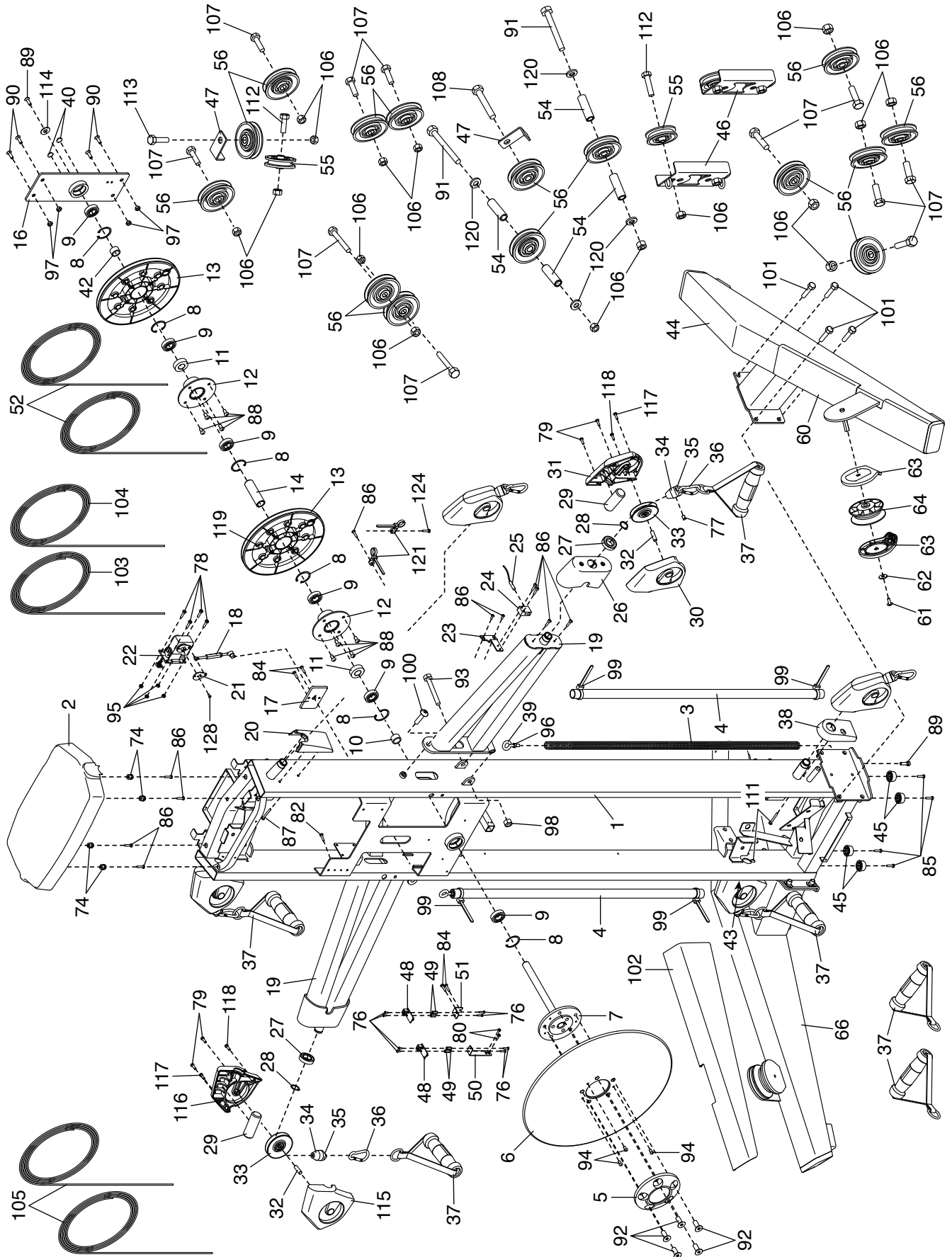


# EXPLODED DRAWING A

Model No. NTEVSY22917.0 R0518A



# EXPLODED DRAWING B

Model No. NTEVSY22917.0 R0518A

