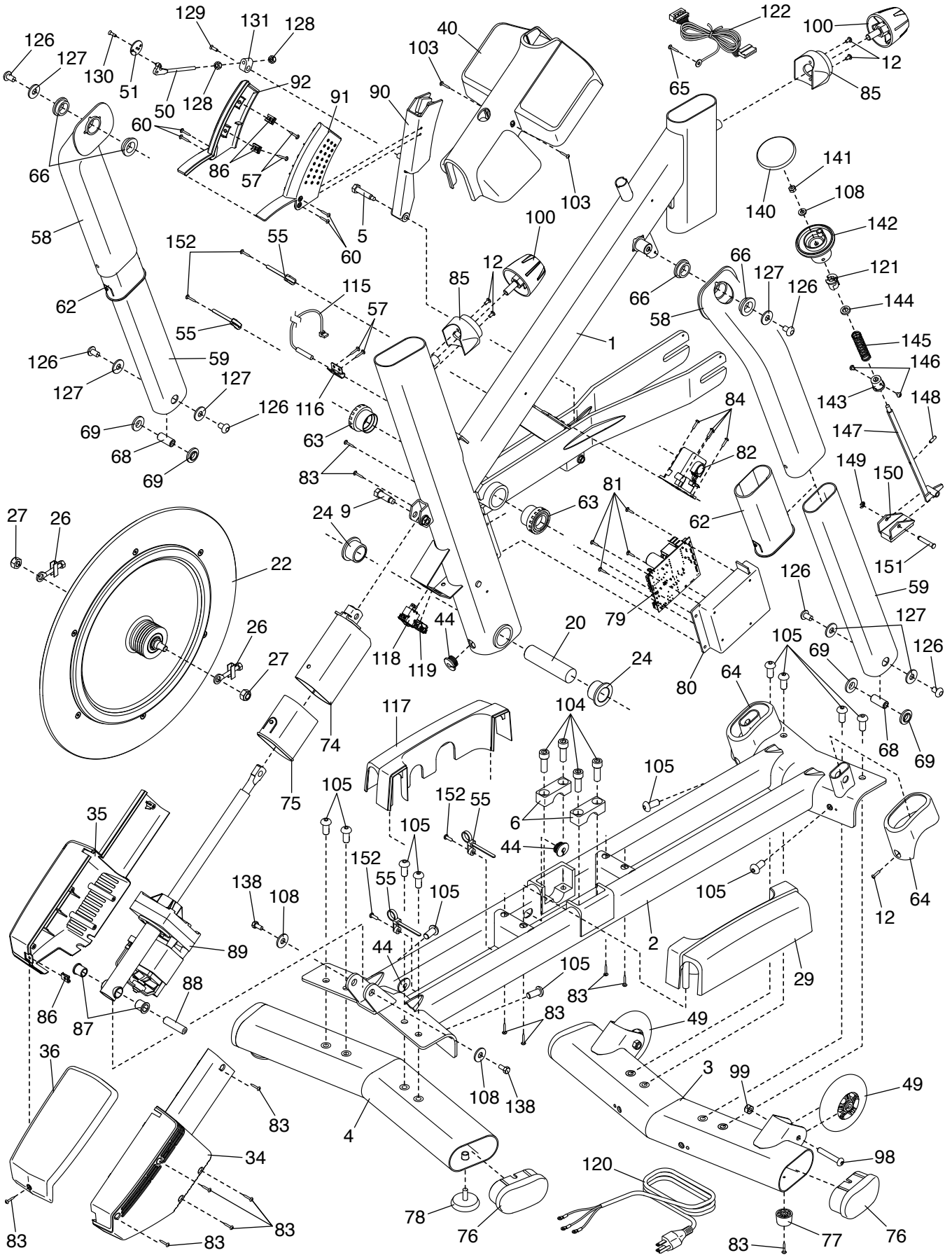


EXPLODED DRAWING A

Model No. NTEX02117.1 R0718A



EXPLODED DRAWING B

Model No. NTEX02117.1 R0718A

