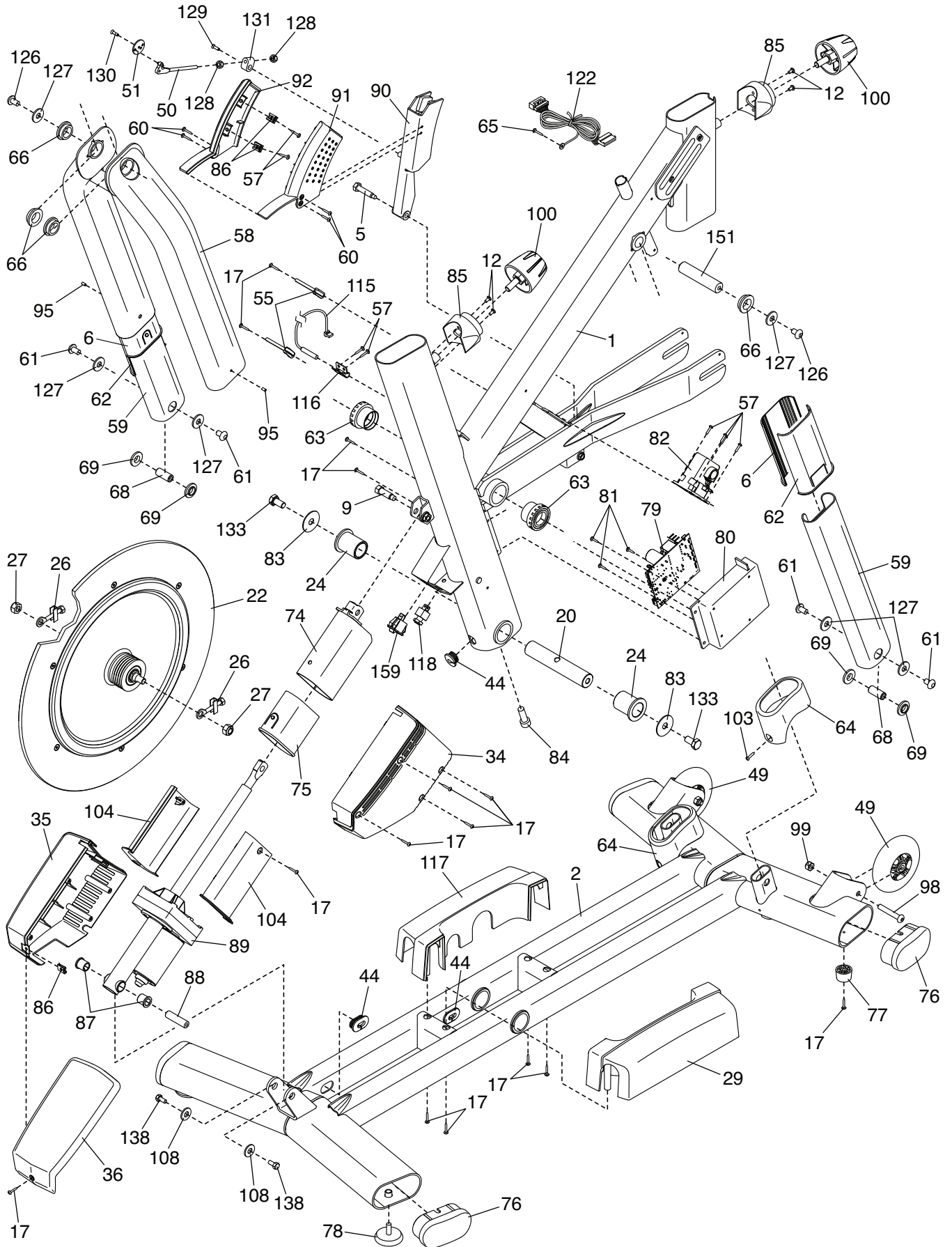


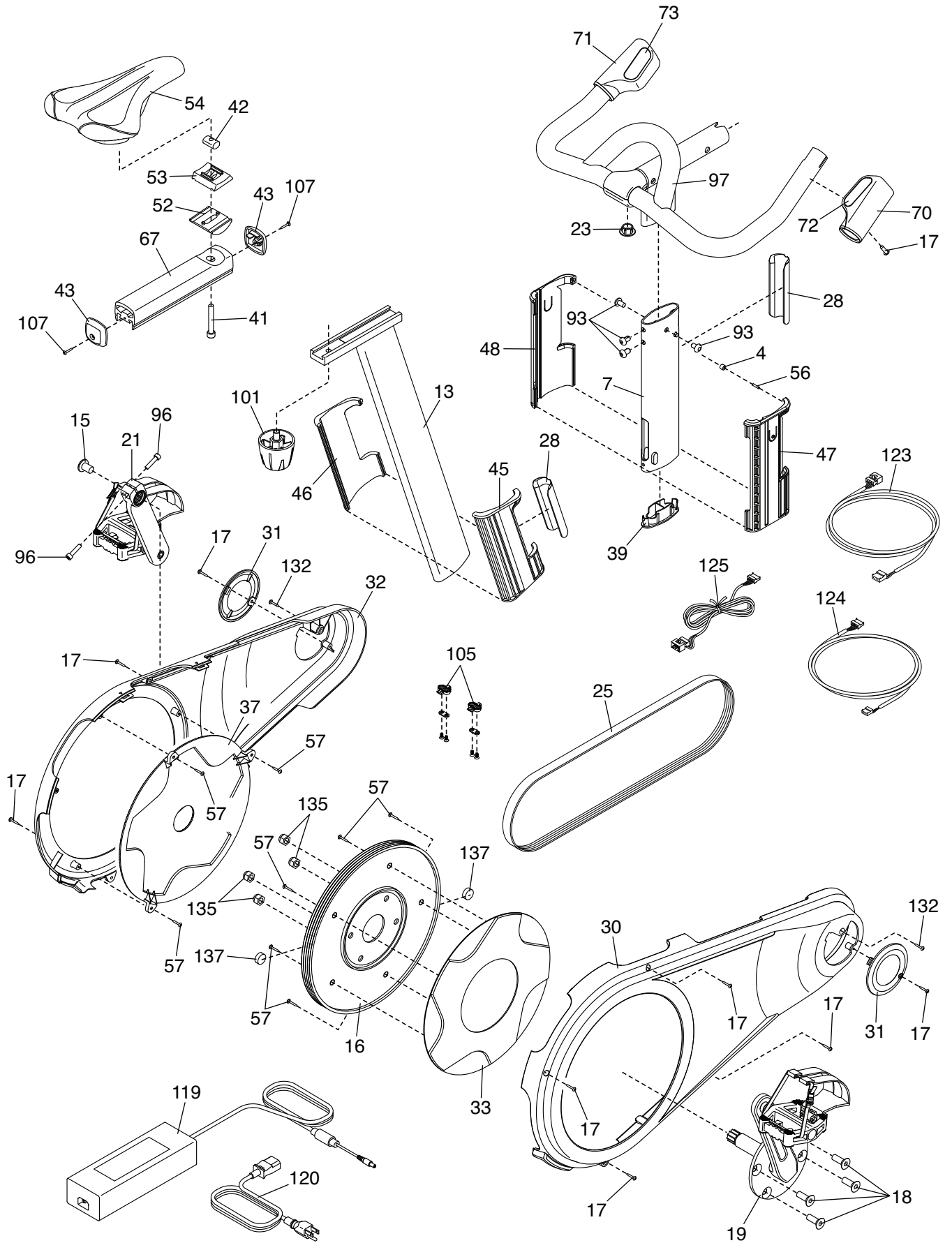
# EXPLODED DRAWING A

Model No. NTEX02422.0 R0821B



# EXPLODED DRAWING B

Model No. NTEX02422.0 R0821B



# EXPLODED DRAWING C

Model No. NTEX02422.0 R0821B

