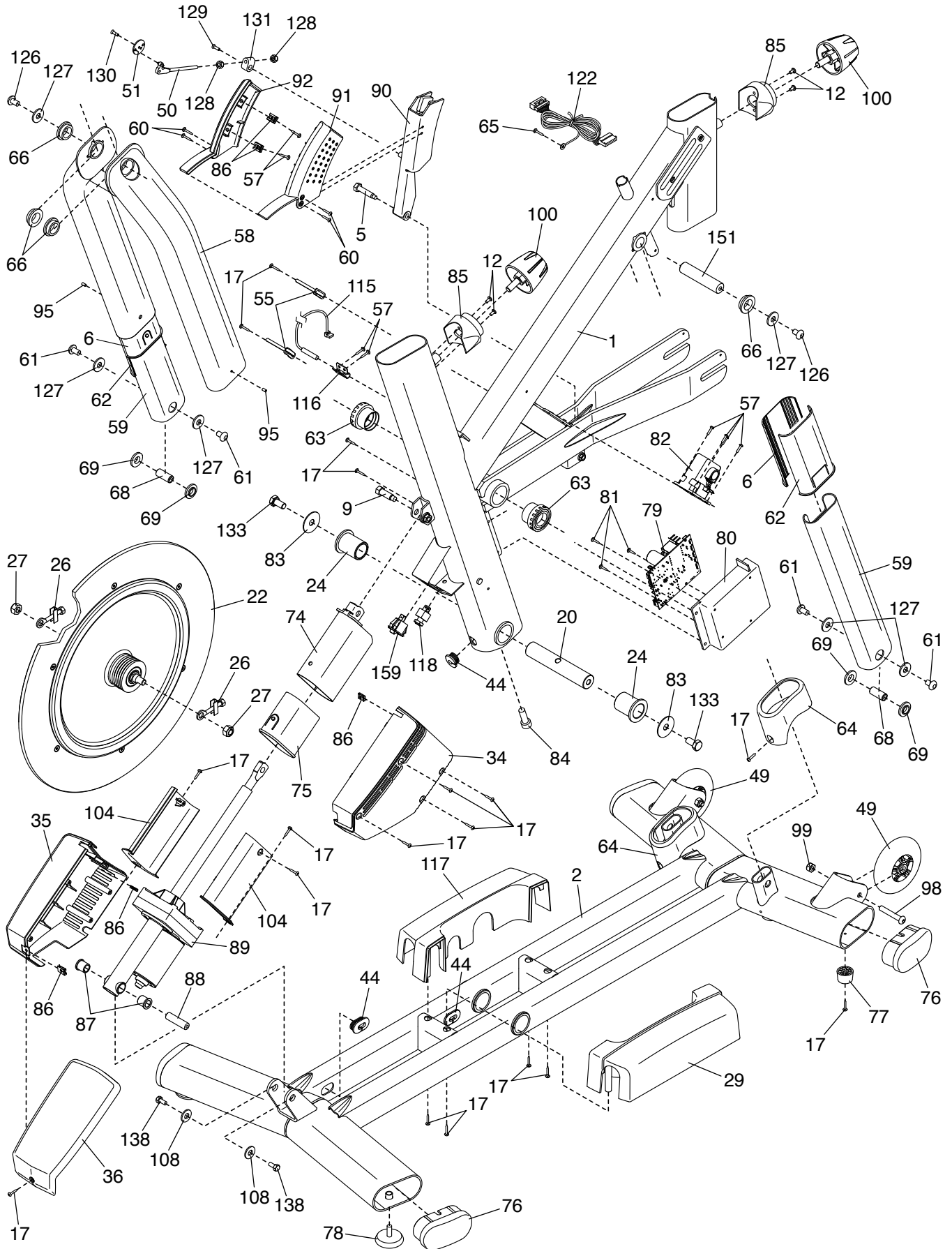


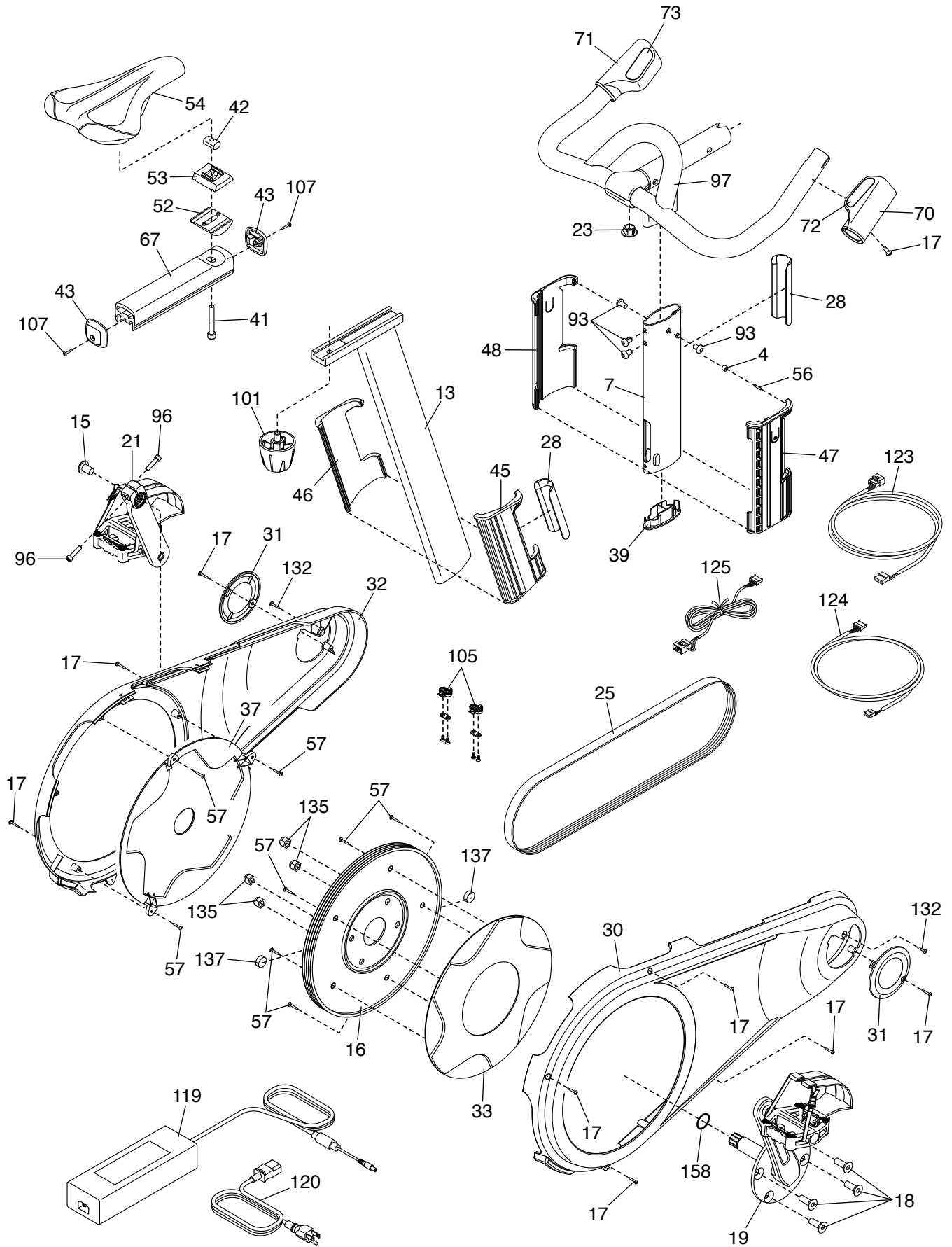
EXPLODED DRAWING A

Model No. NTEX02422.4 R1221A



EXPLODED DRAWING B

Model No. NTEX02422.4 R1221A



EXPLODED DRAWING C

Model No. NTEX02422.4 R1221A

