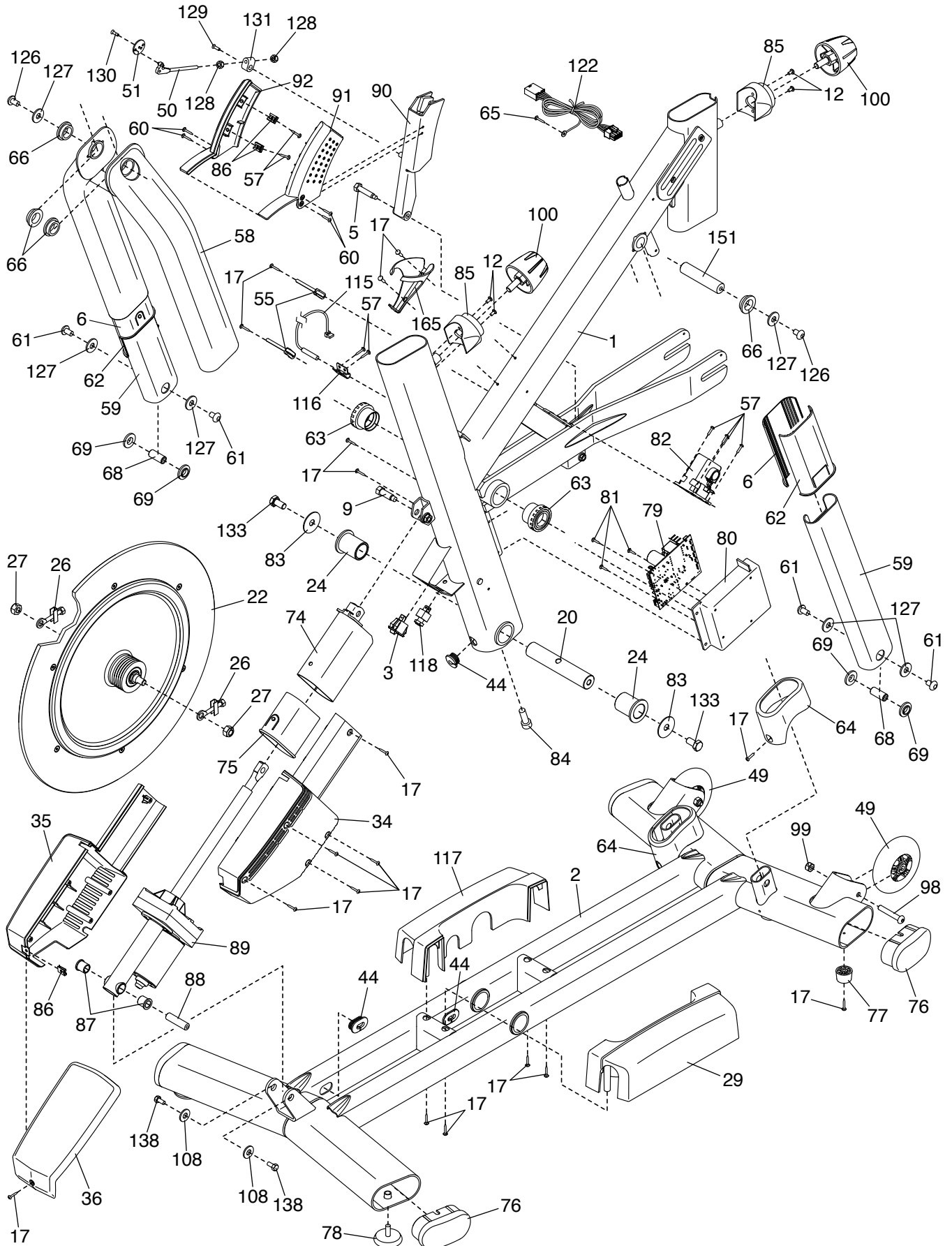


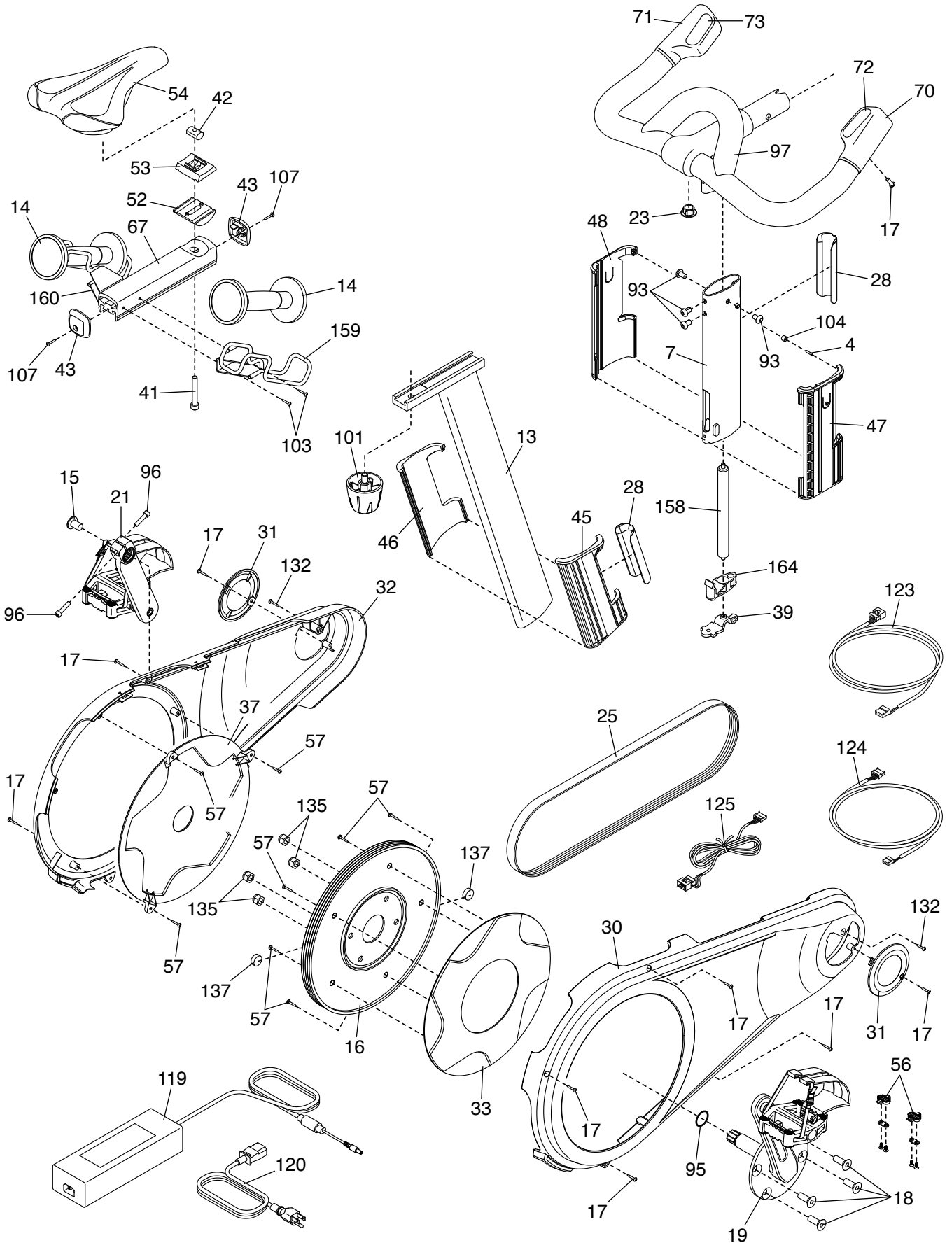
# EXPLODED DRAWING A

Model No. NTEX02722.8 R1123A



# EXPLODED DRAWING B

Model No. NTEX02722.8 R1123A



# EXPLODED DRAWING C

Model No. NTEX02722.8 R1123A

