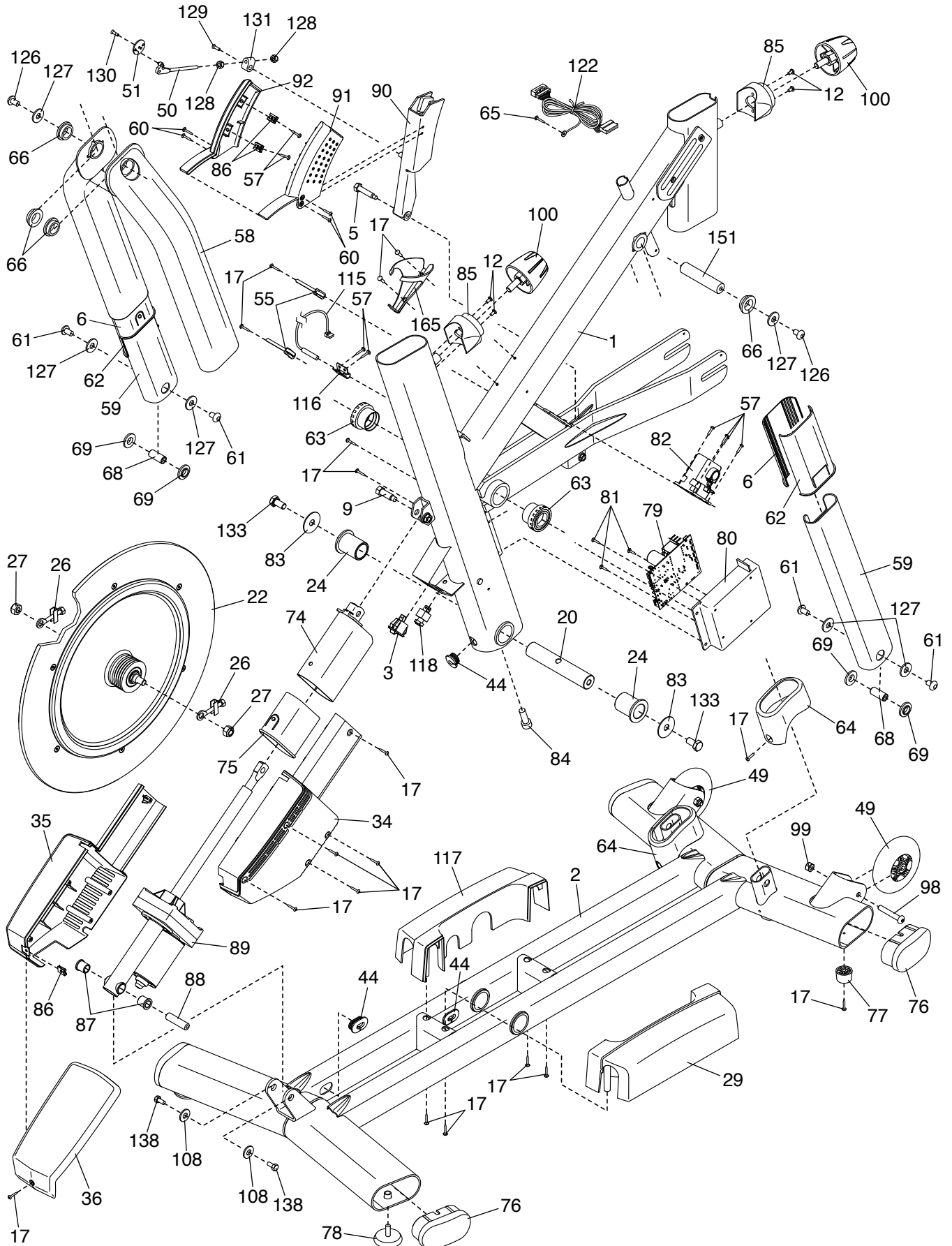


# EXPLODED DRAWING A

Model No. NTEX02722G.2 R0222A





# EXPLODED DRAWING C

Model No. NTEX02722G.2 R0222A

