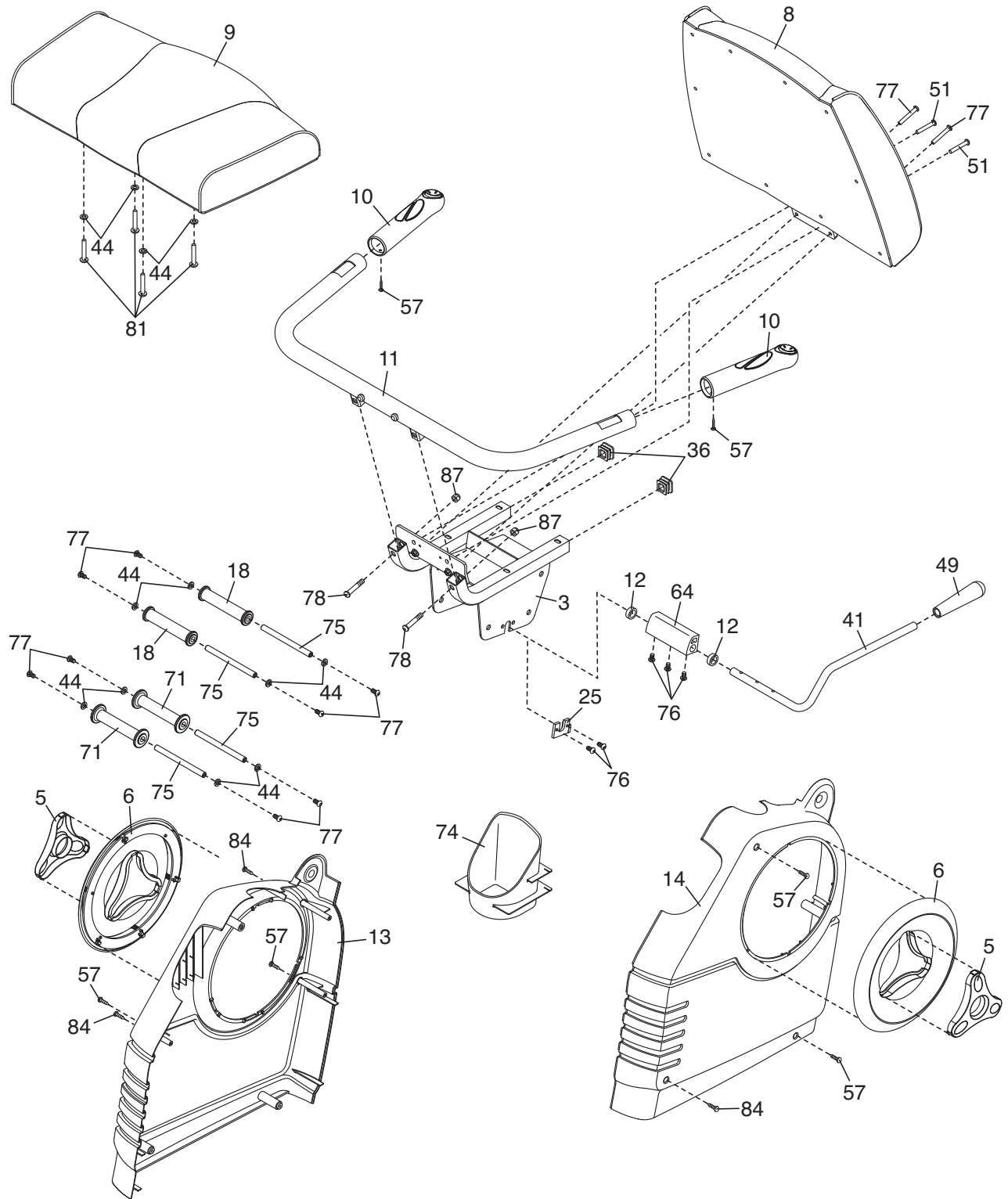


EXPLODED DRAWING A—Model No. NTEX03909.0

R1209A



EXPLODED DRAWING B—Model No. NTEX03909.0

R1209A

