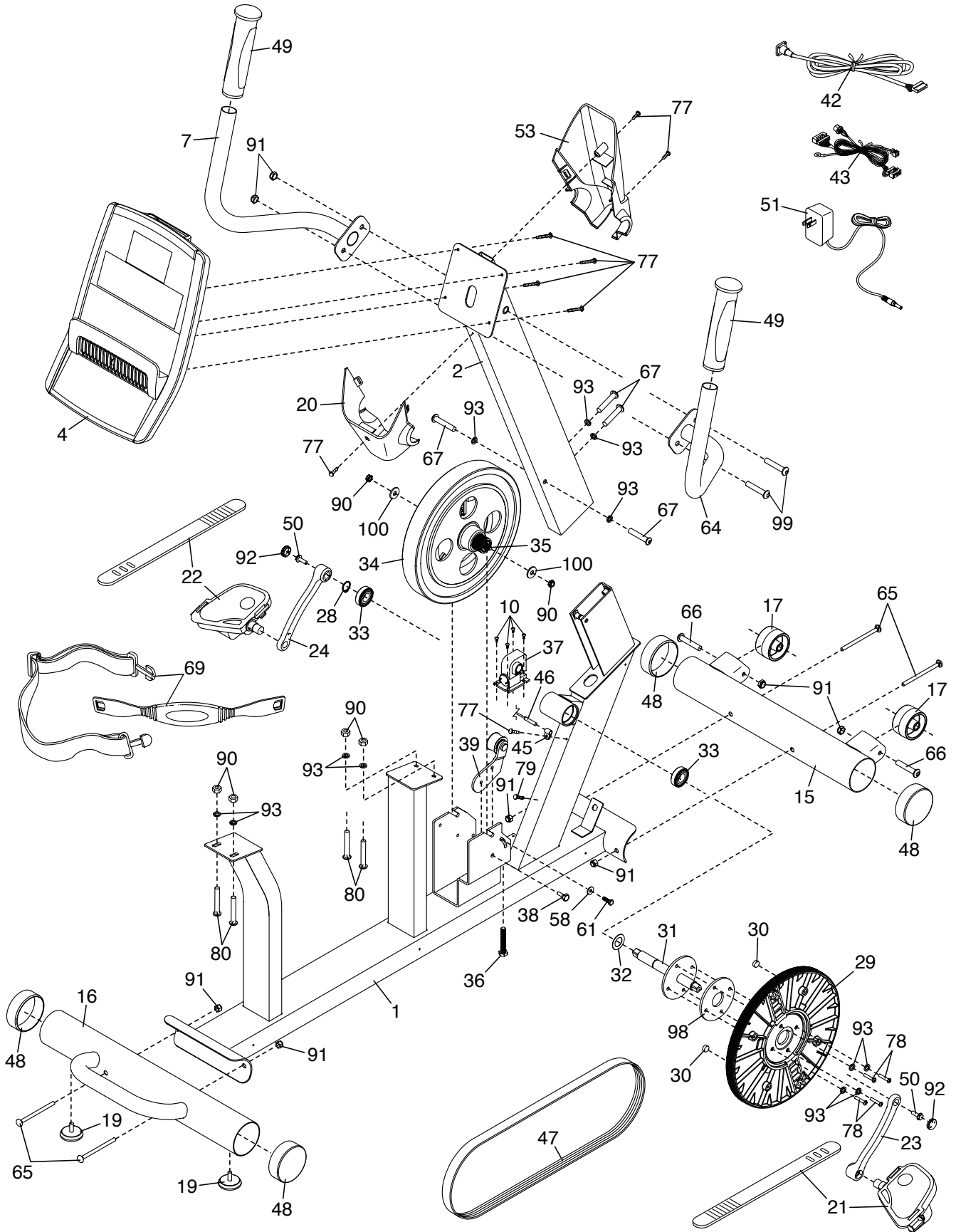


# EXPLODED DRAWING A

Model No. NTEX08011.1 R0713A



# EXPLODED DRAWING B

Model No. NTEX08011.1 R0713A

