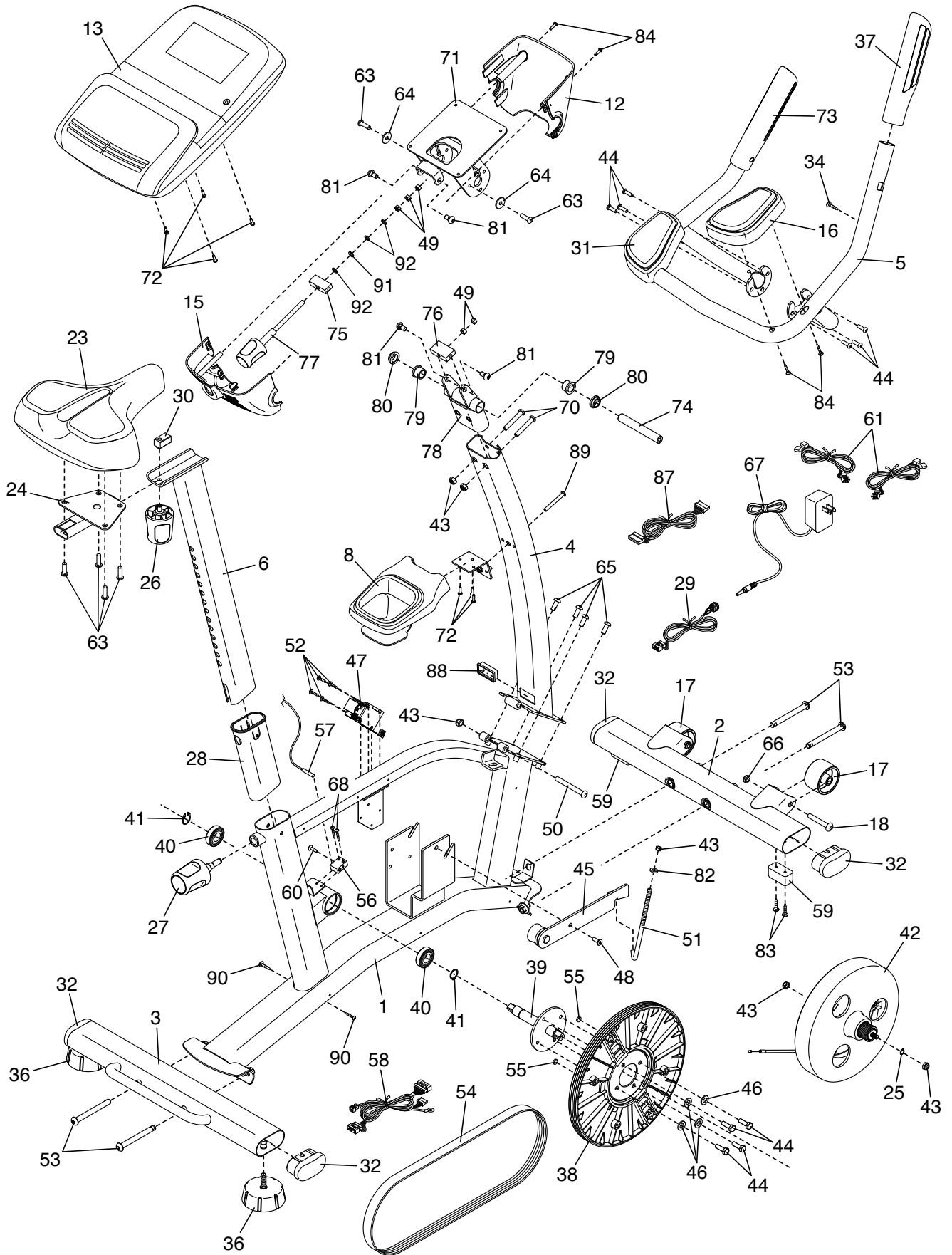


EXPLODED DRAWING A

Model No. NTEX75016C.0 R0618A



EXPLODED DRAWING B

Model No. NTEX75016C.0 R0618A

