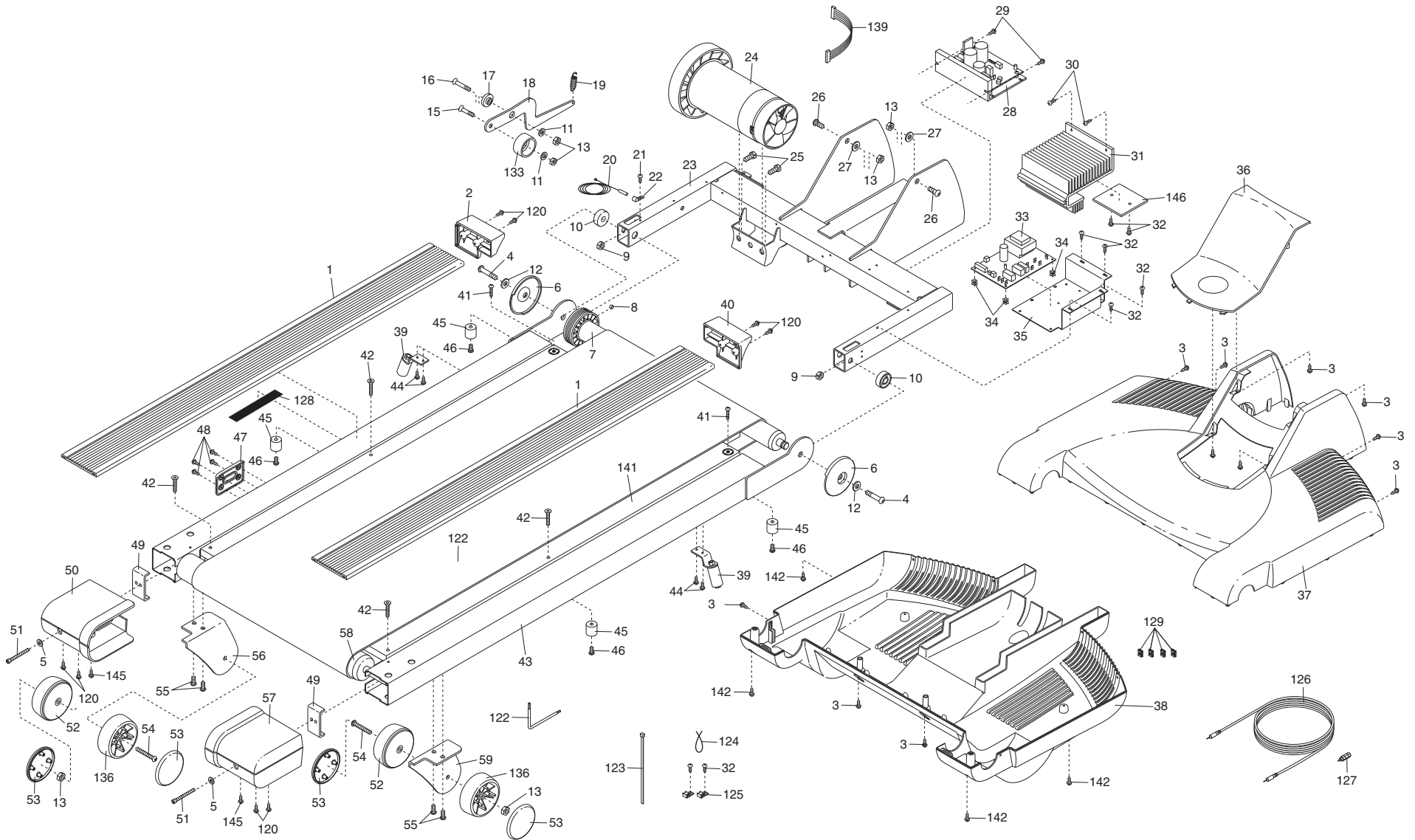


EXPLODED DRAWING—Model No. NTK1994.0

R0506A



EXPLODED DRAWING—Model No. NTK1994.0

R0506A

