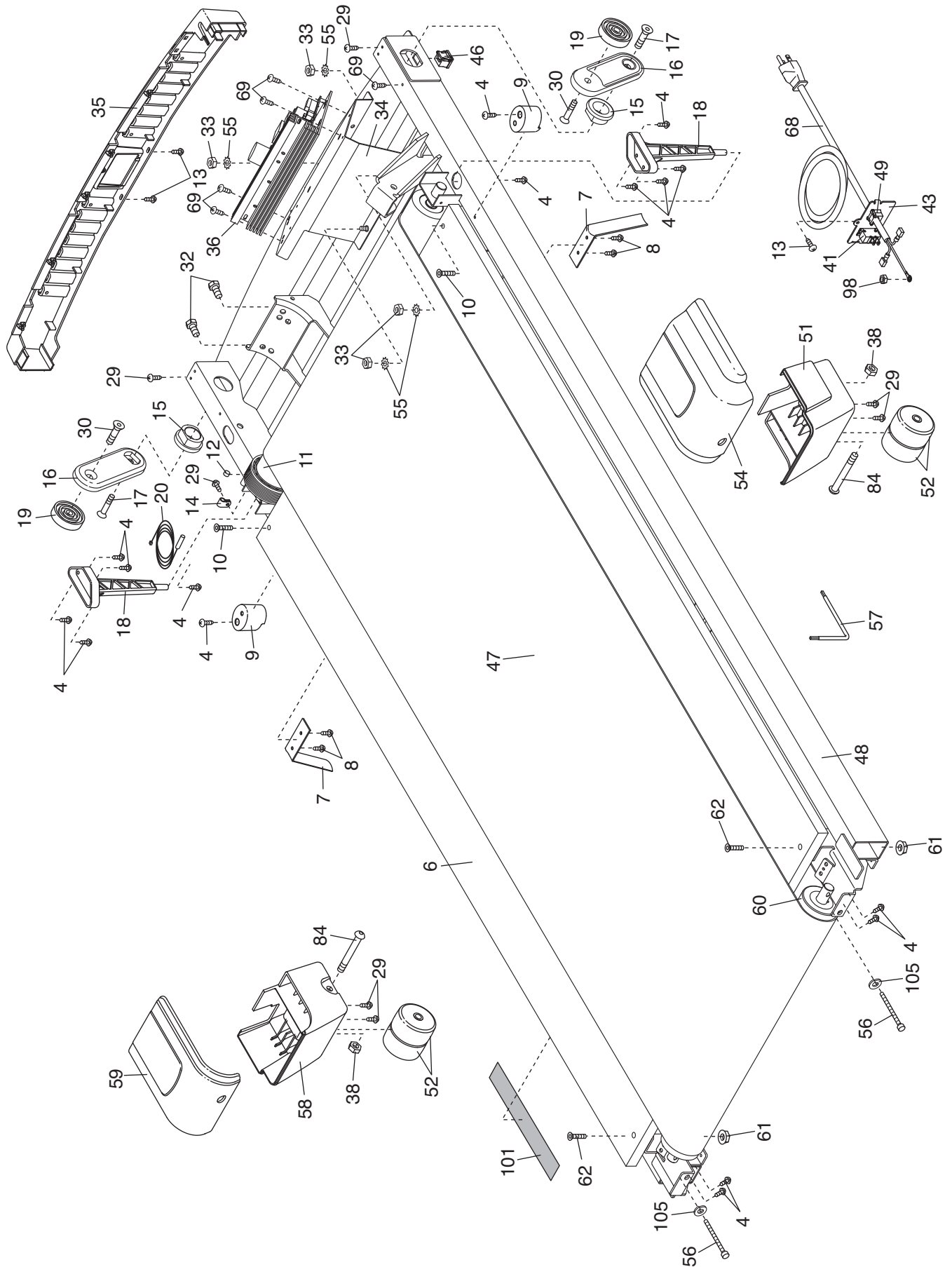


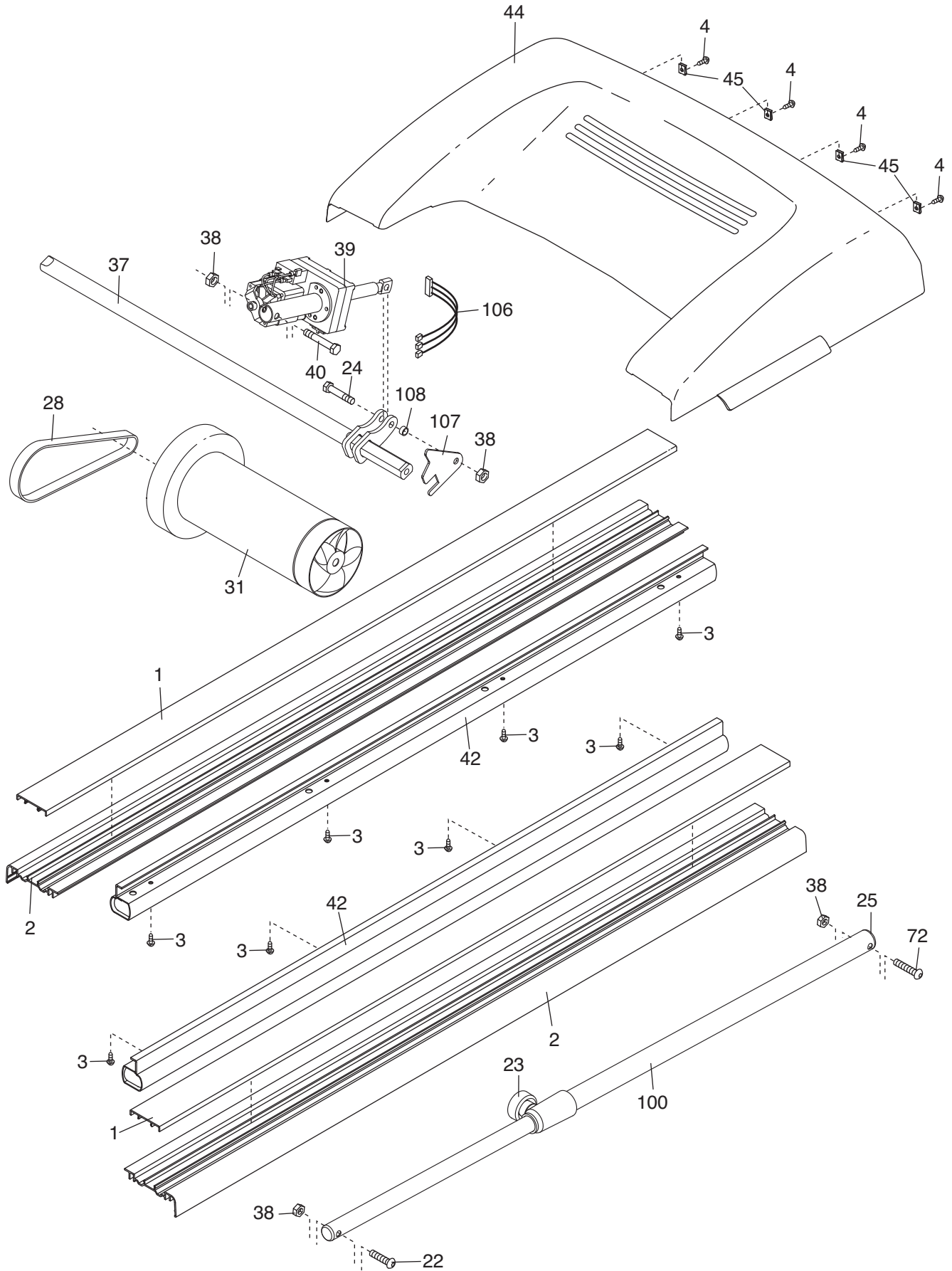
# EXPLODED DRAWING A—Model No. NTL09108.0

R1008A



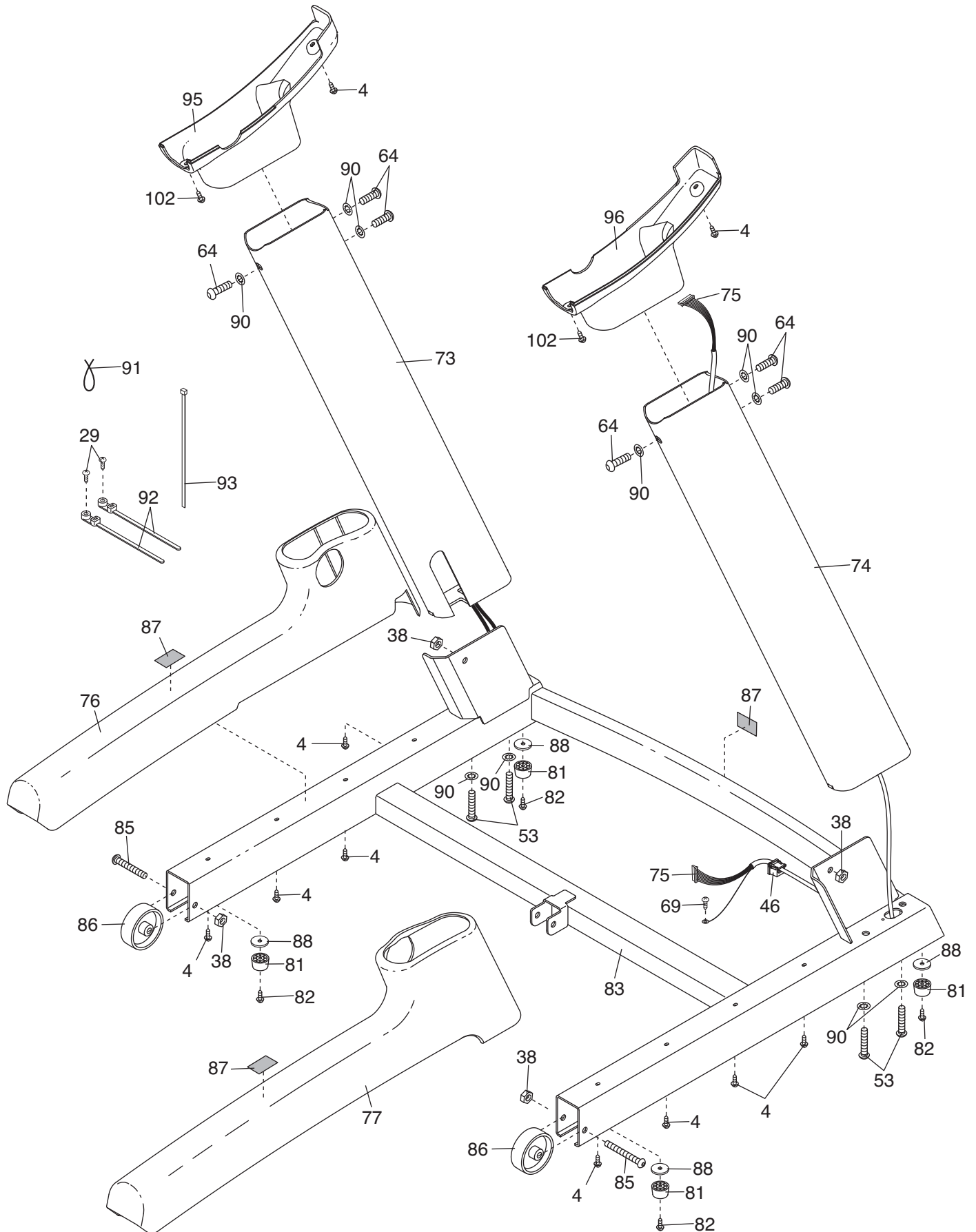
# EXPLODED DRAWING B—Model No. NTL09108.0

R1008A



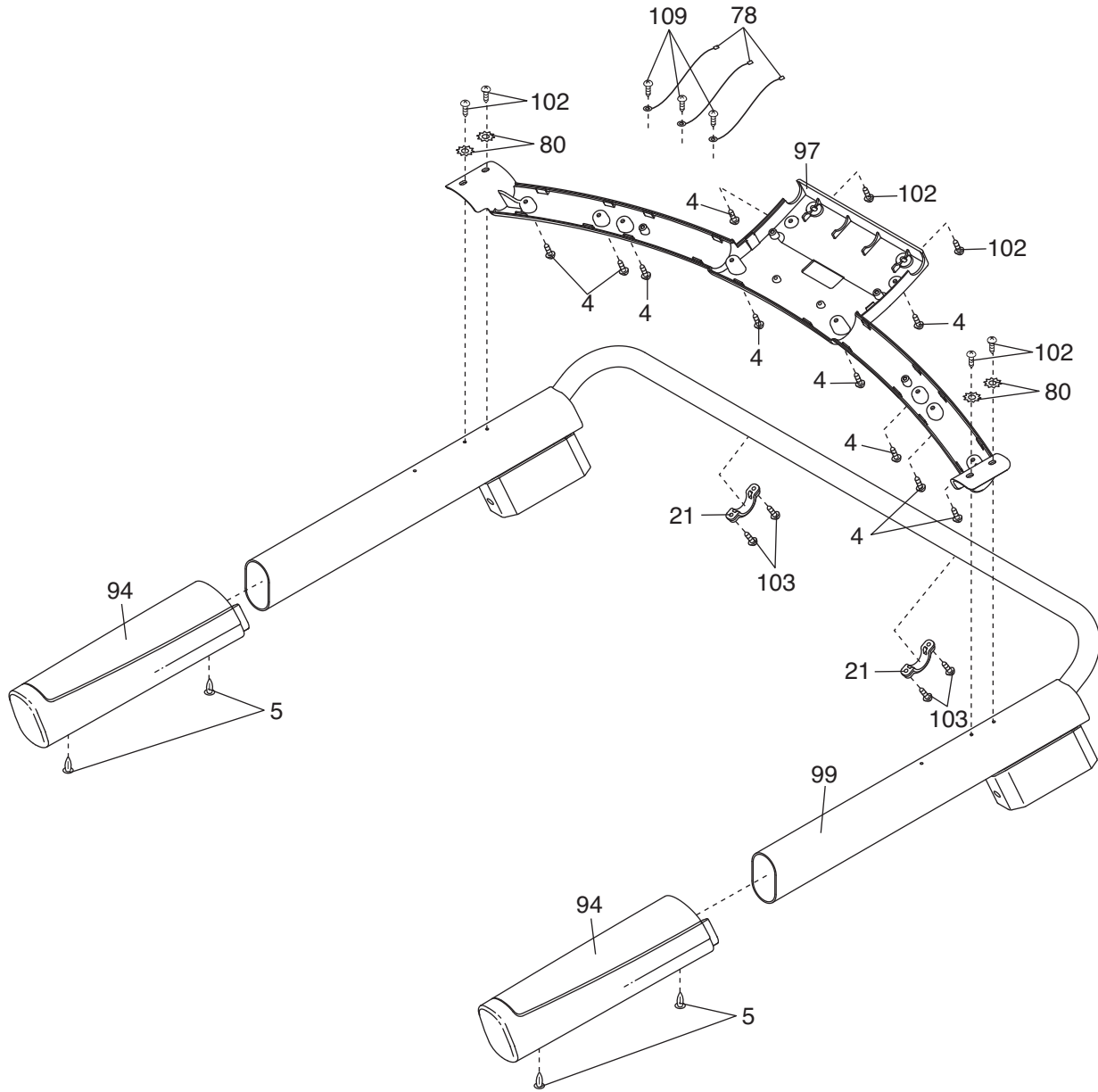
# EXPLODED DRAWING C—Model No. NTL09108.0

R1008A



# EXPLODED DRAWING D—Model No. NTL09108.0

R1008A



# EXPLODED DRAWING E—Model No. NTL09108.0

R1008A

