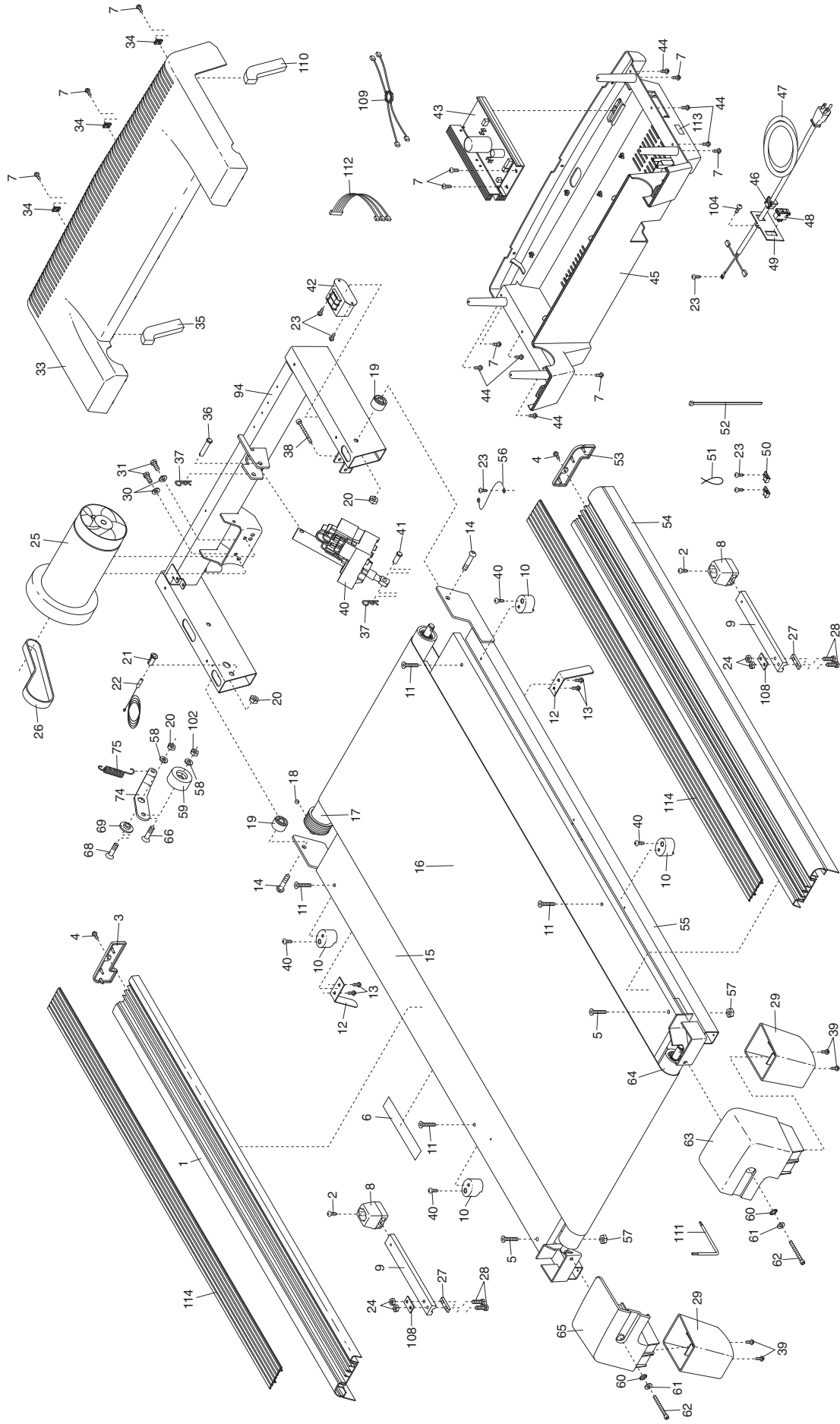


EXPLODED DRAWING—Model No. NTL1075.1

R0405A



EXPLODED DRAWING—Model No. NTL1075.1

R0405A

