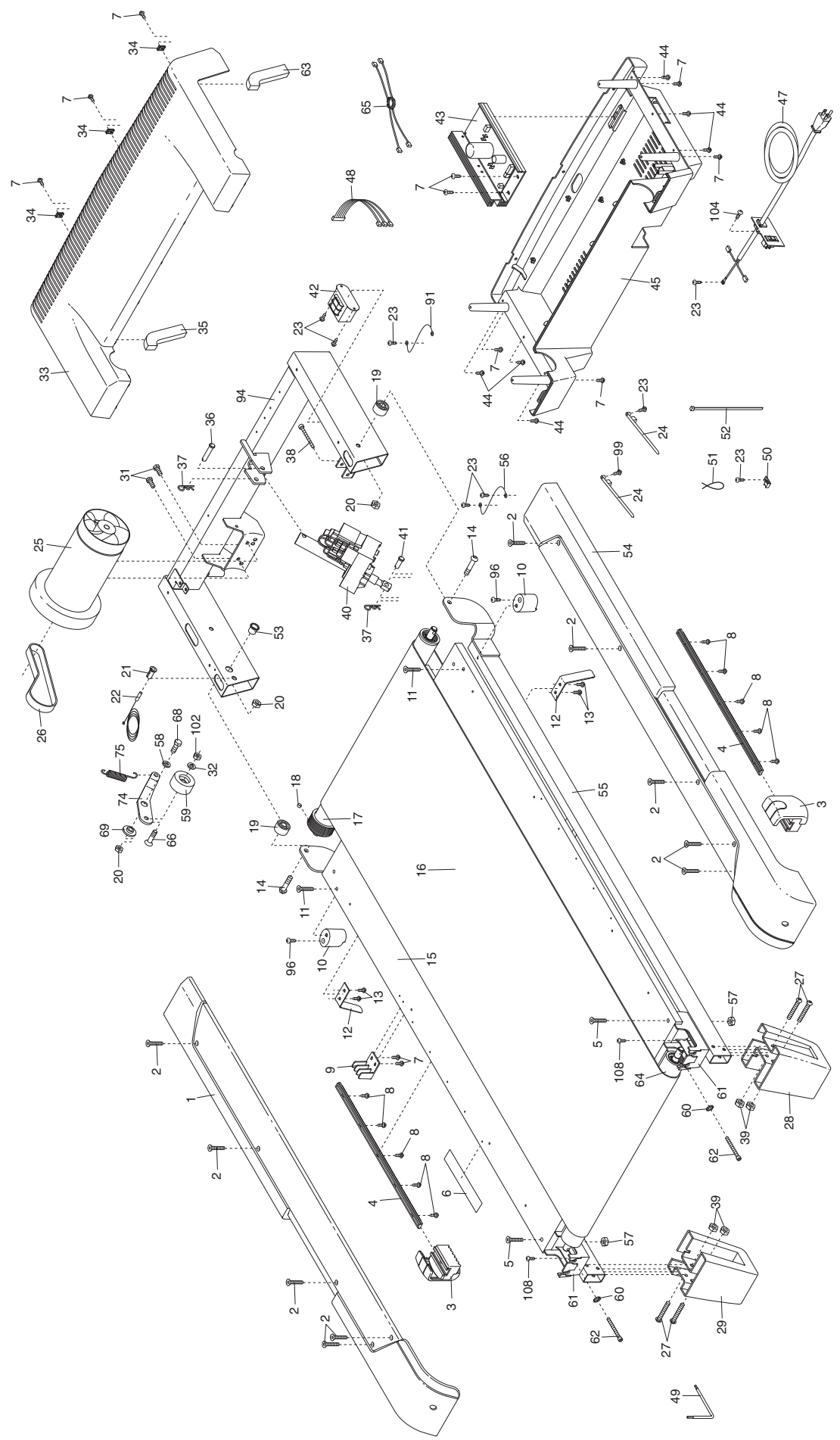


# EXPLODED DRAWING—Model No. NTL10805.2

R0406A



# EXPLODED DRAWING—Model No. NTL10805.2

R0406A

