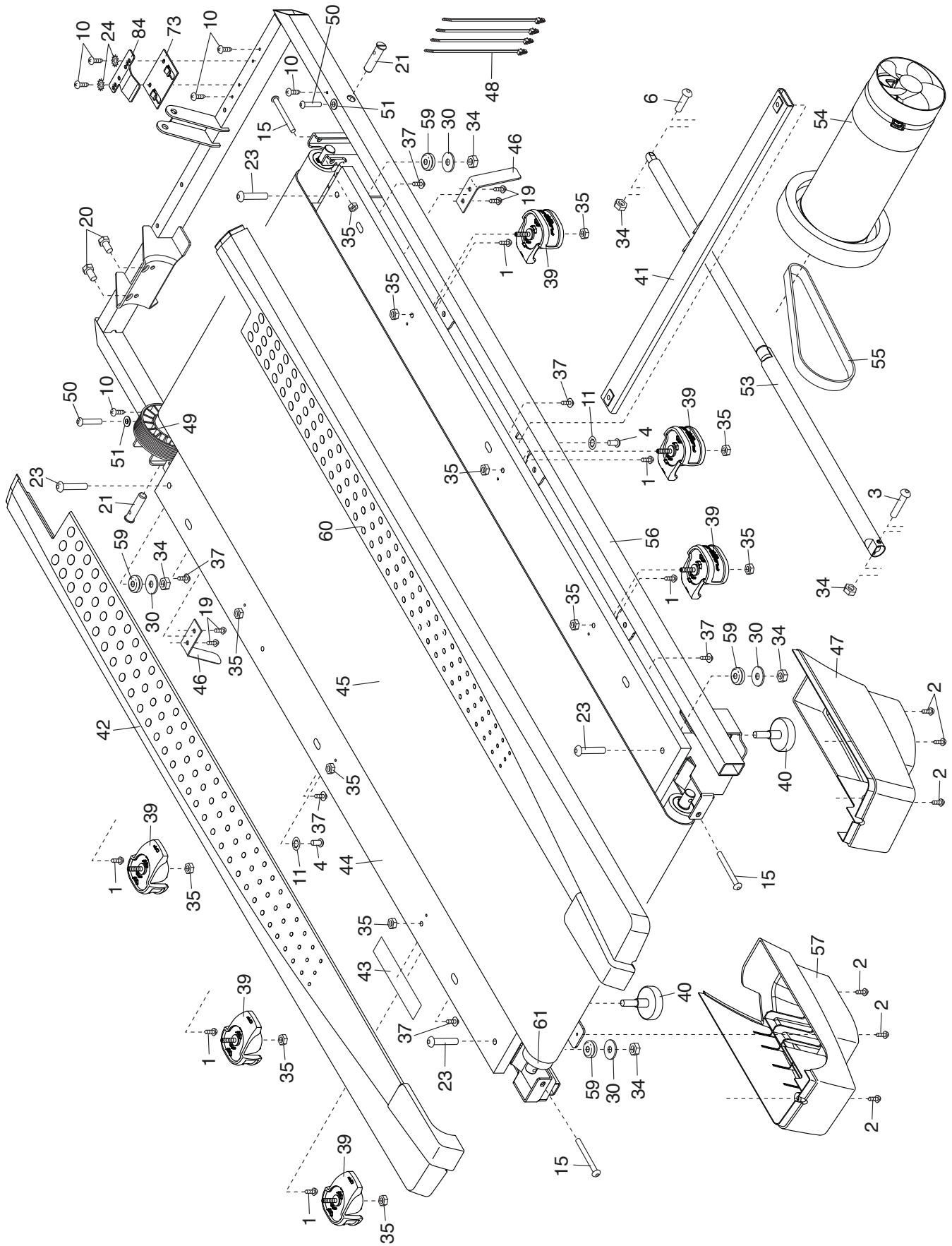


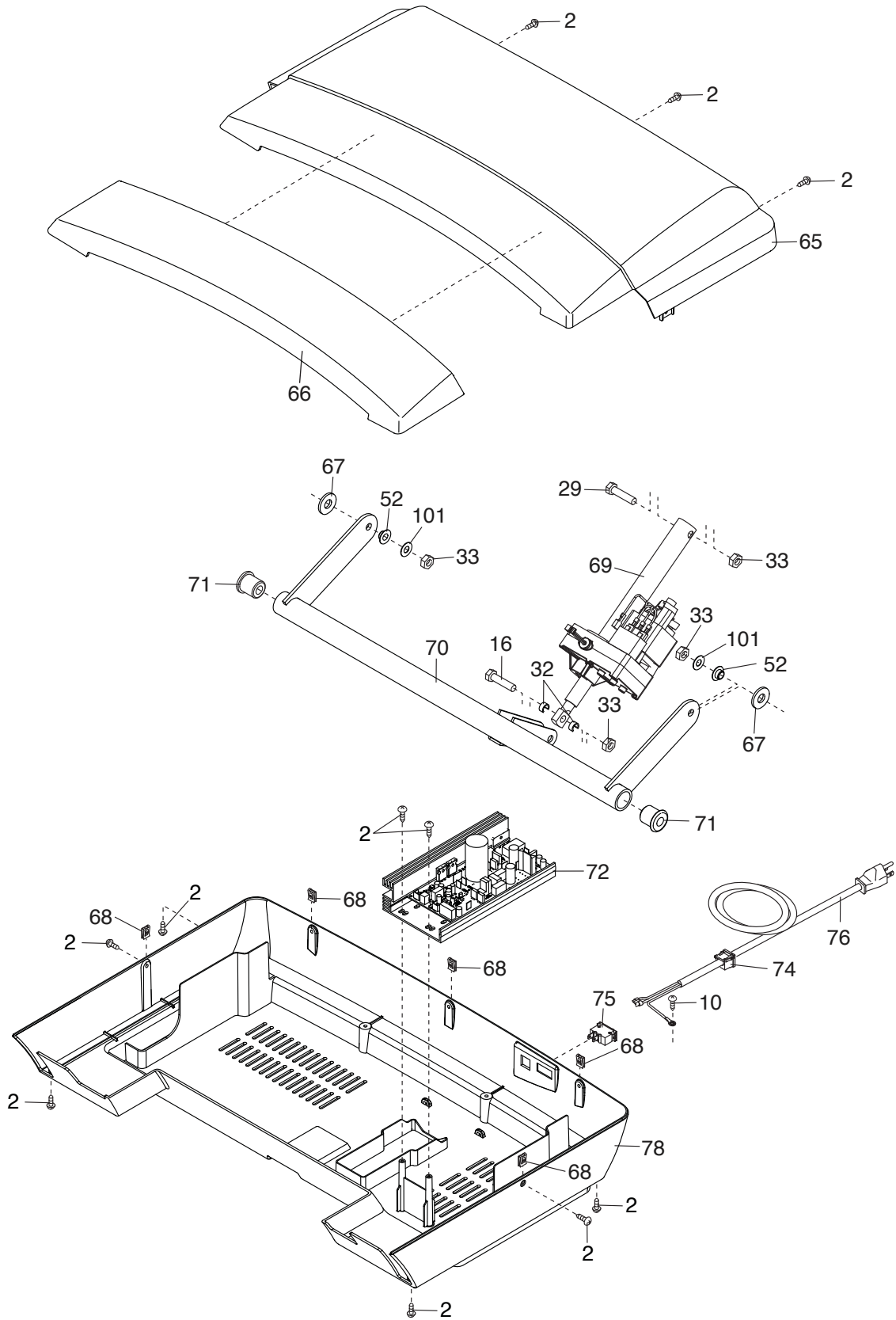
# EXPLODED DRAWING A

Model No. NTL11215.0 R1015A



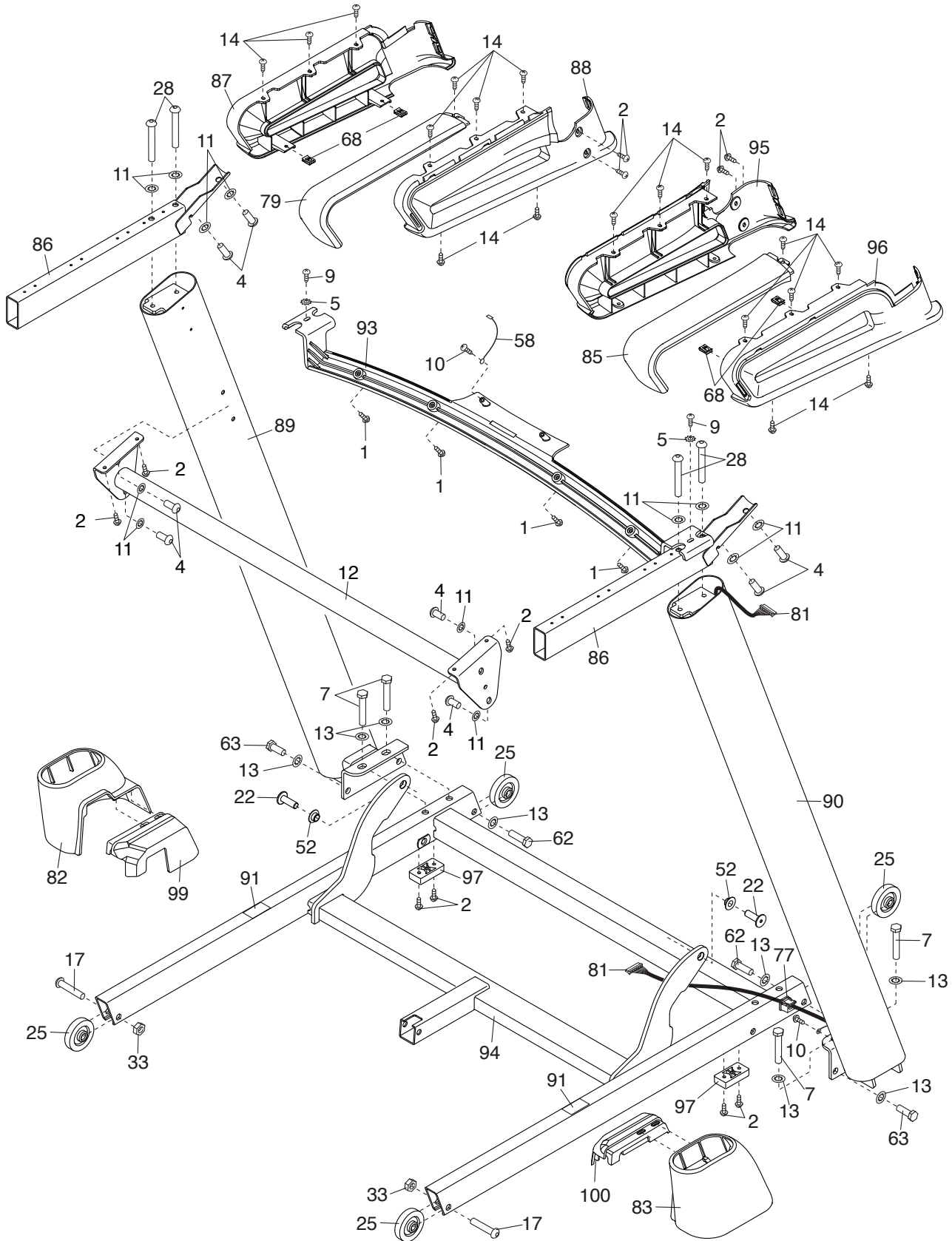
# EXPLODED DRAWING B

Model No. NTL11215.0 R1015A



# EXPLODED DRAWING C

Model No. NTL11215.0 R1015A



# EXPLODED DRAWING D

Model No. NTL11215.0 R1015A

