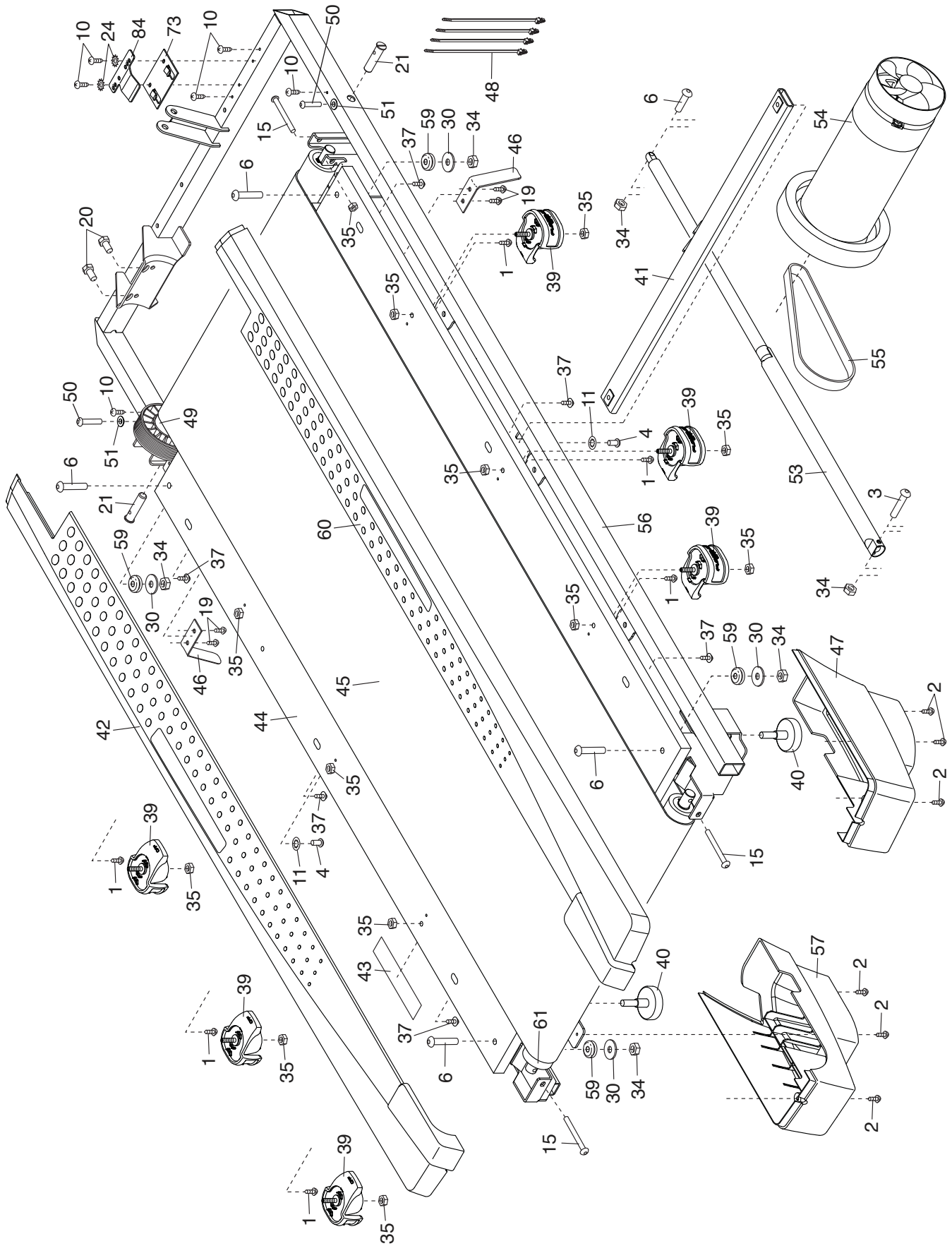


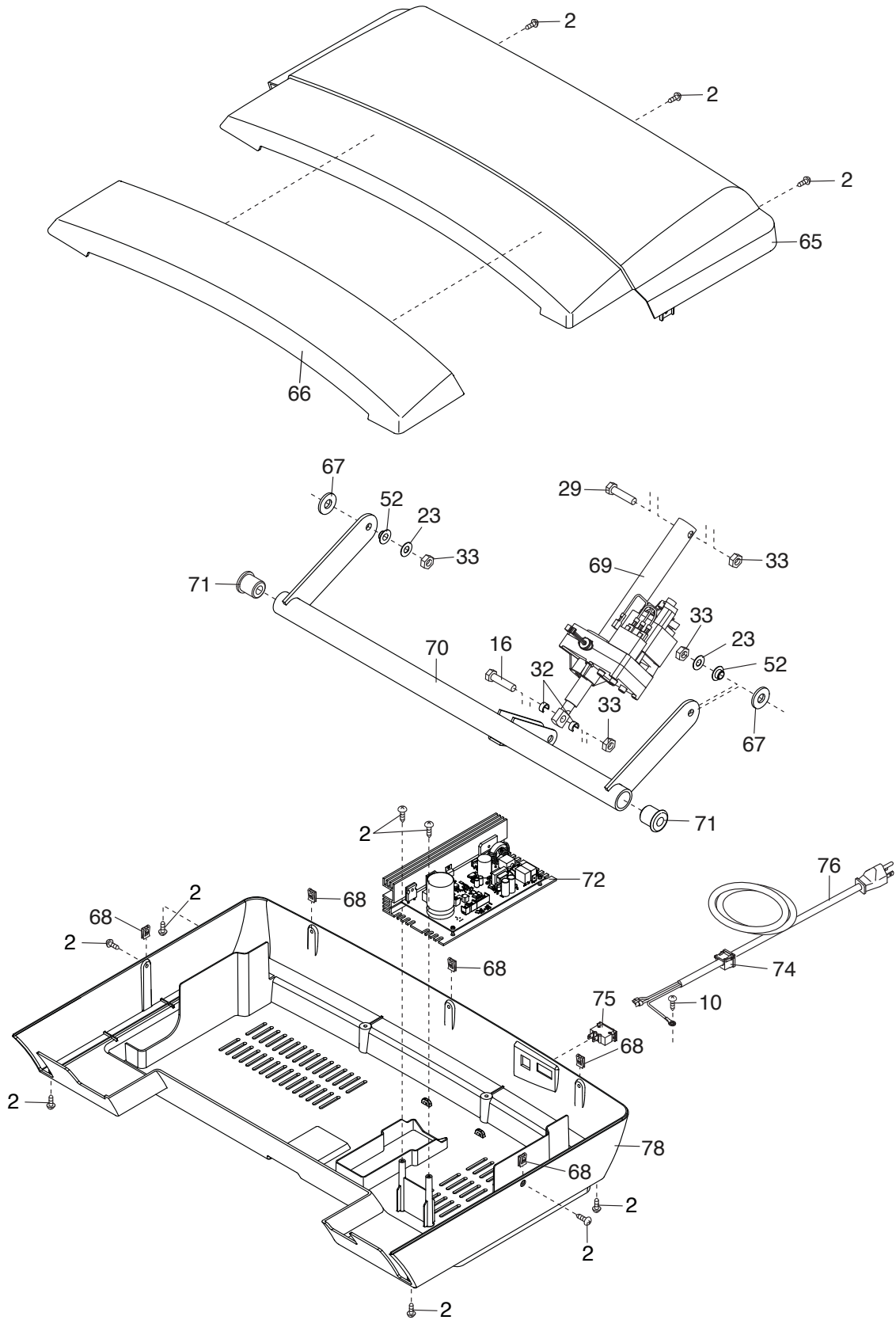
EXPLODED DRAWING A

Model No. NTL11215.6 R1017A



EXPLODED DRAWING B

Model No. NTL11215.6 R1017A



EXPLODED DRAWING D

Model No. NTL11215.6 R1017A

