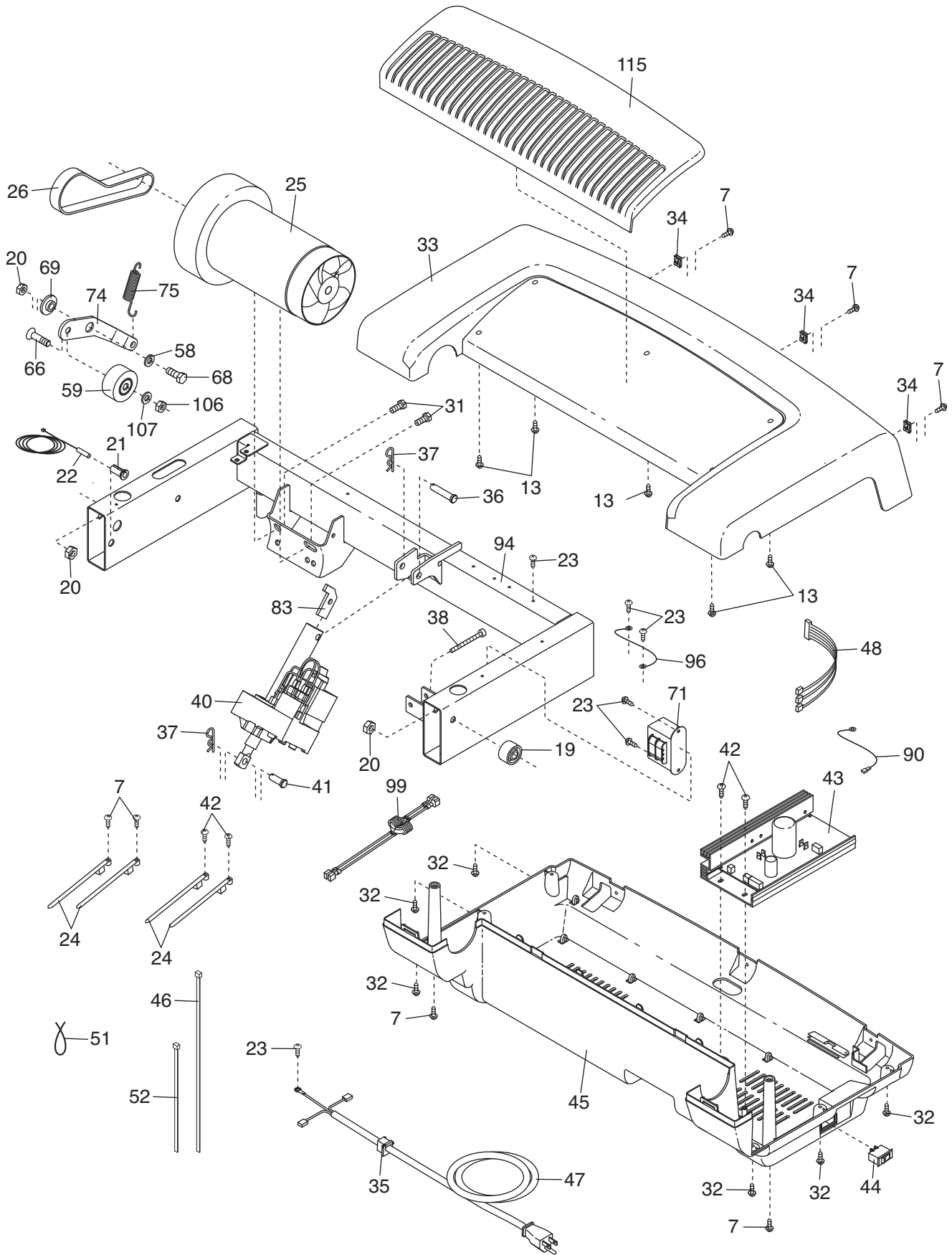


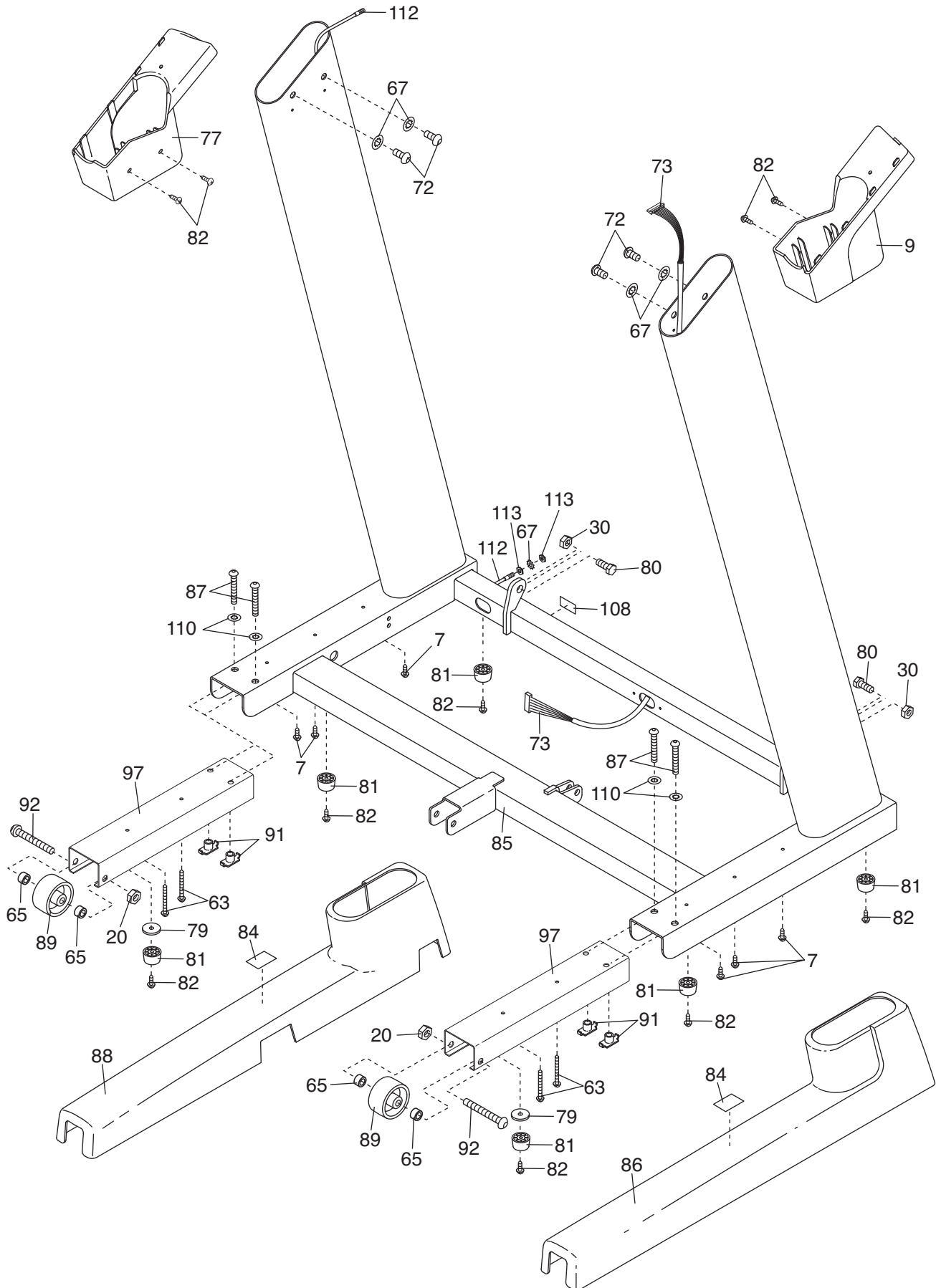
EXPLODED DRAWING B—Model No. NTL13007.1

R1208A



EXPLODED DRAWING C—Model No. NTL13007.1

R1208A



EXPLODED DRAWING D—Model No. NTL13007.1

R1208A

