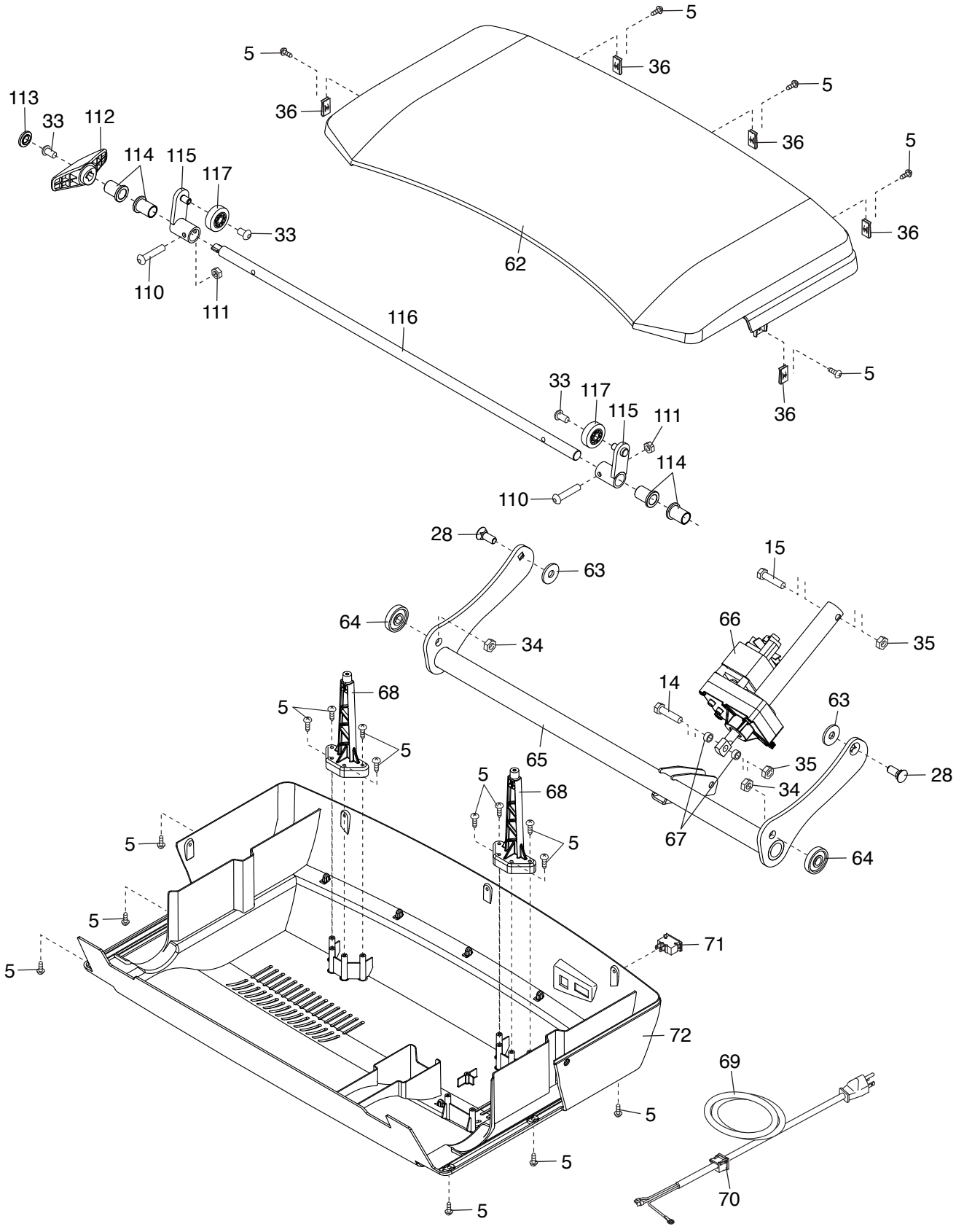


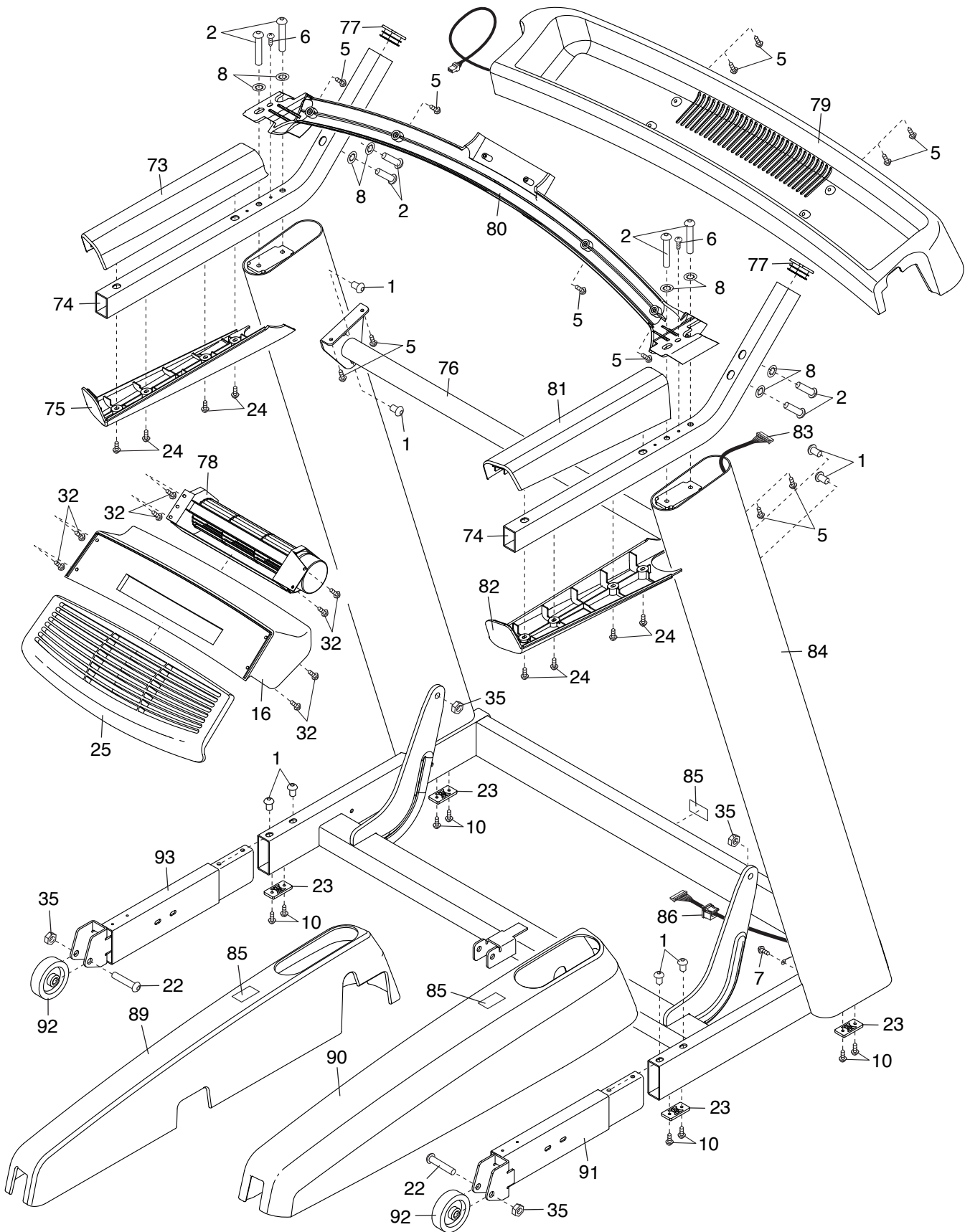
EXPLODED DRAWING B

Model No. NTL14113.3 R0814A



EXPLODED DRAWING C

Model No. NTL14113.3 R0814A



EXPLODED DRAWING D

Model No. NTL14113.3 R0814A

