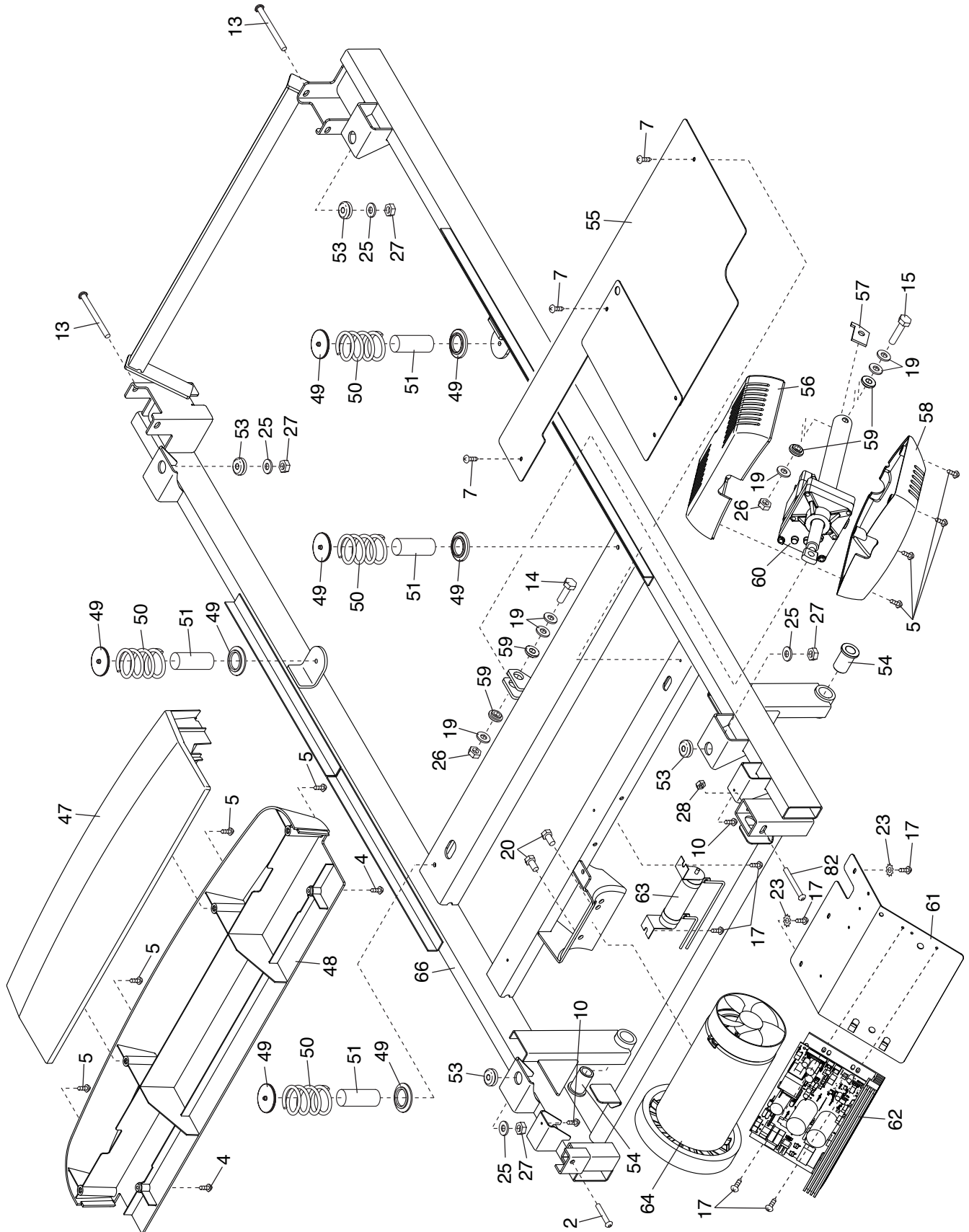


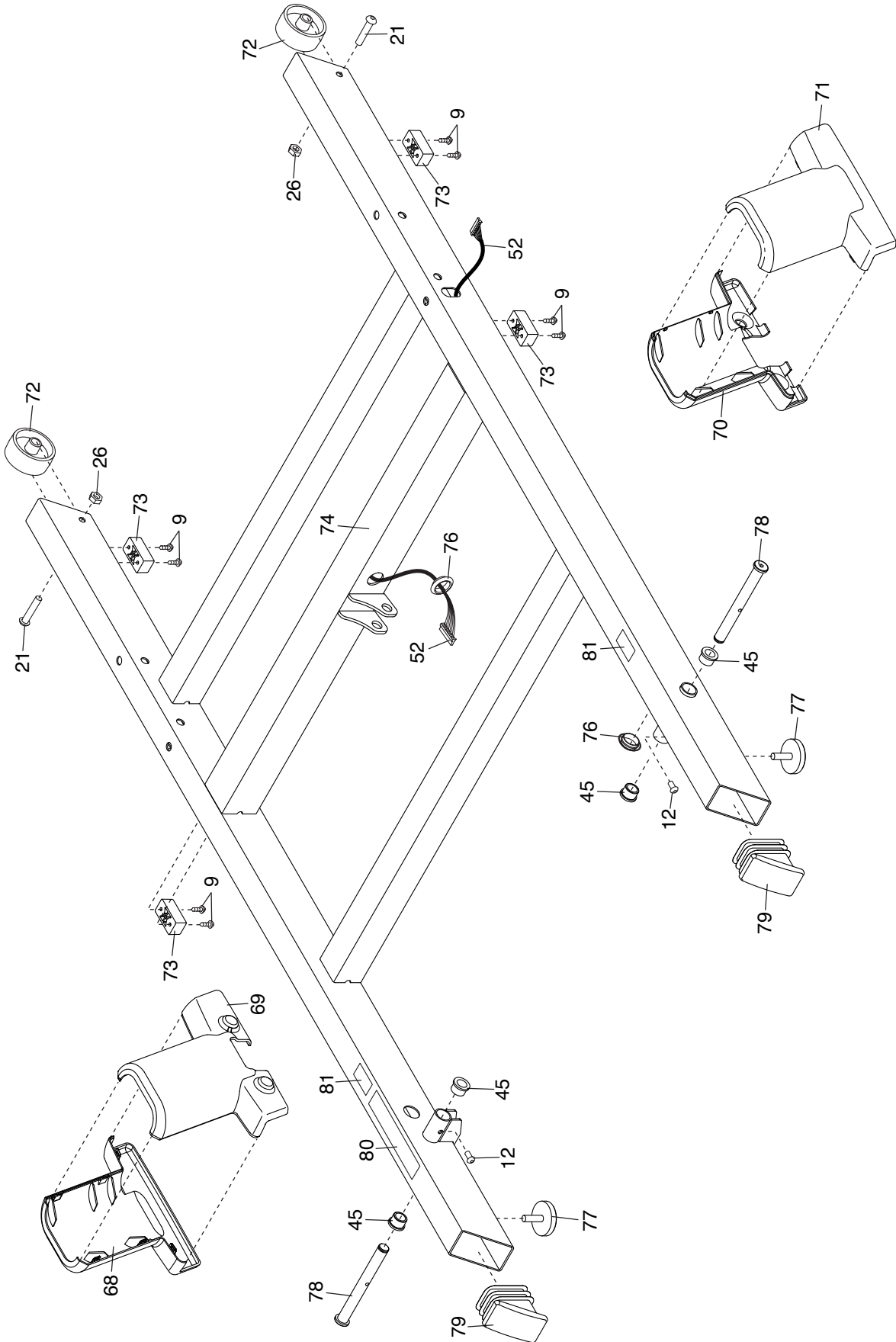
EXPLODED DRAWING B

Model No. NTL14216.1 R1117A



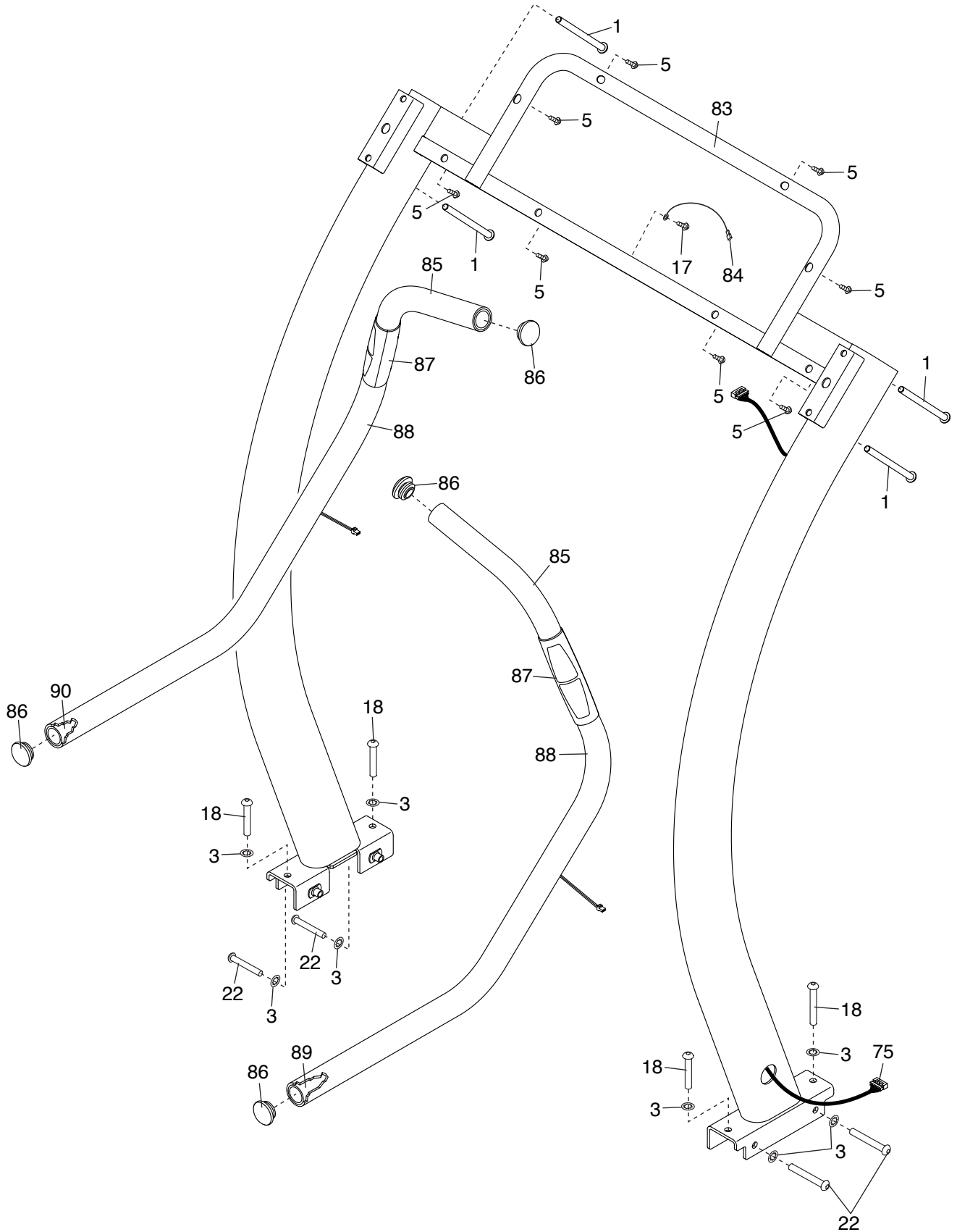
EXPLODED DRAWING C

Model No. NTL14216.1 R1117A



EXPLODED DRAWING D

Model No. NTL14216.1 R1117A



EXPLODED DRAWING E

Model No. NTL14216.1 R1117A

