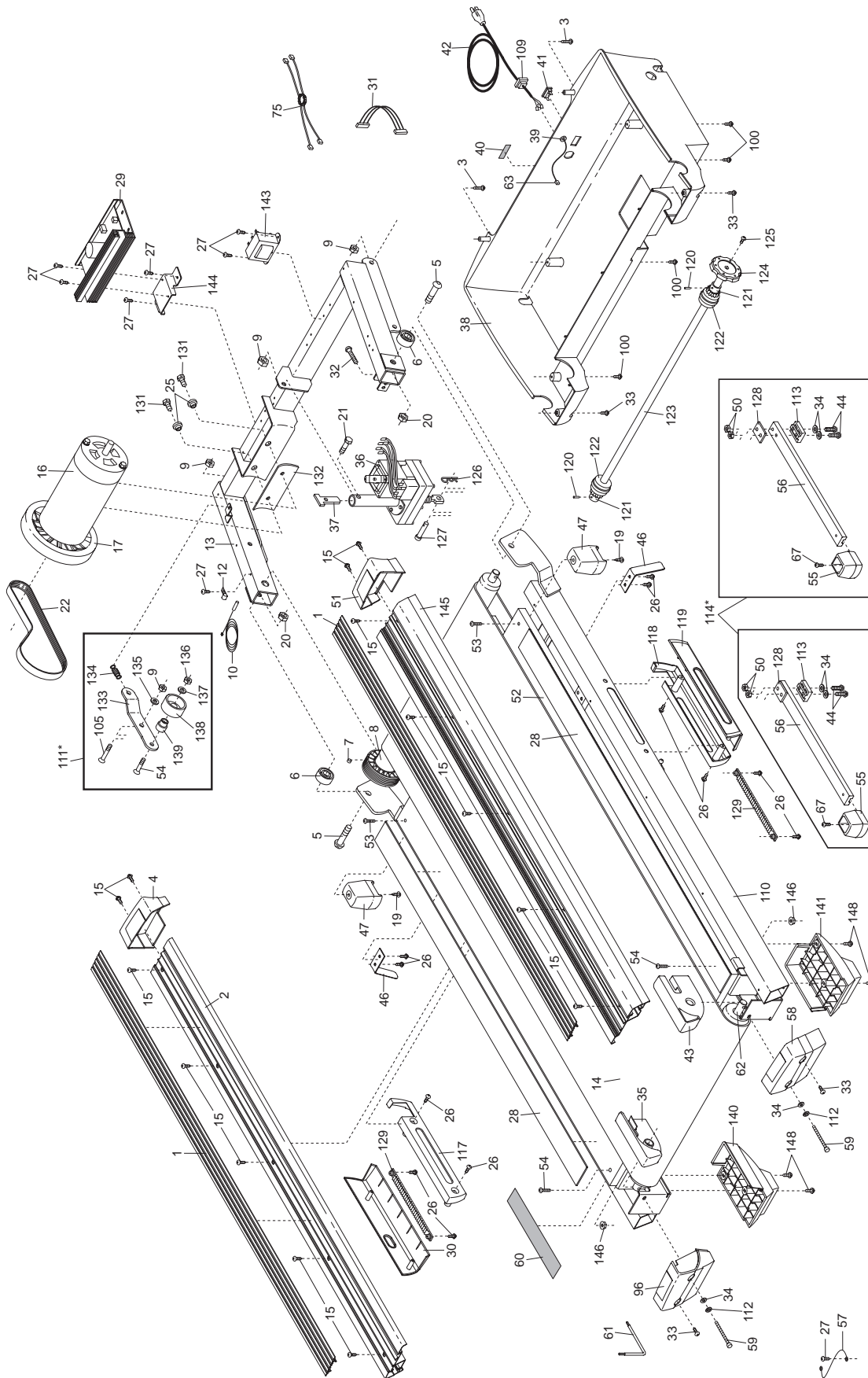


# EXPLODED DRAWING—Model No. NTL14940

R1003A



# EXPLODED DRAWING—Model No. NTL14940

R1003A

