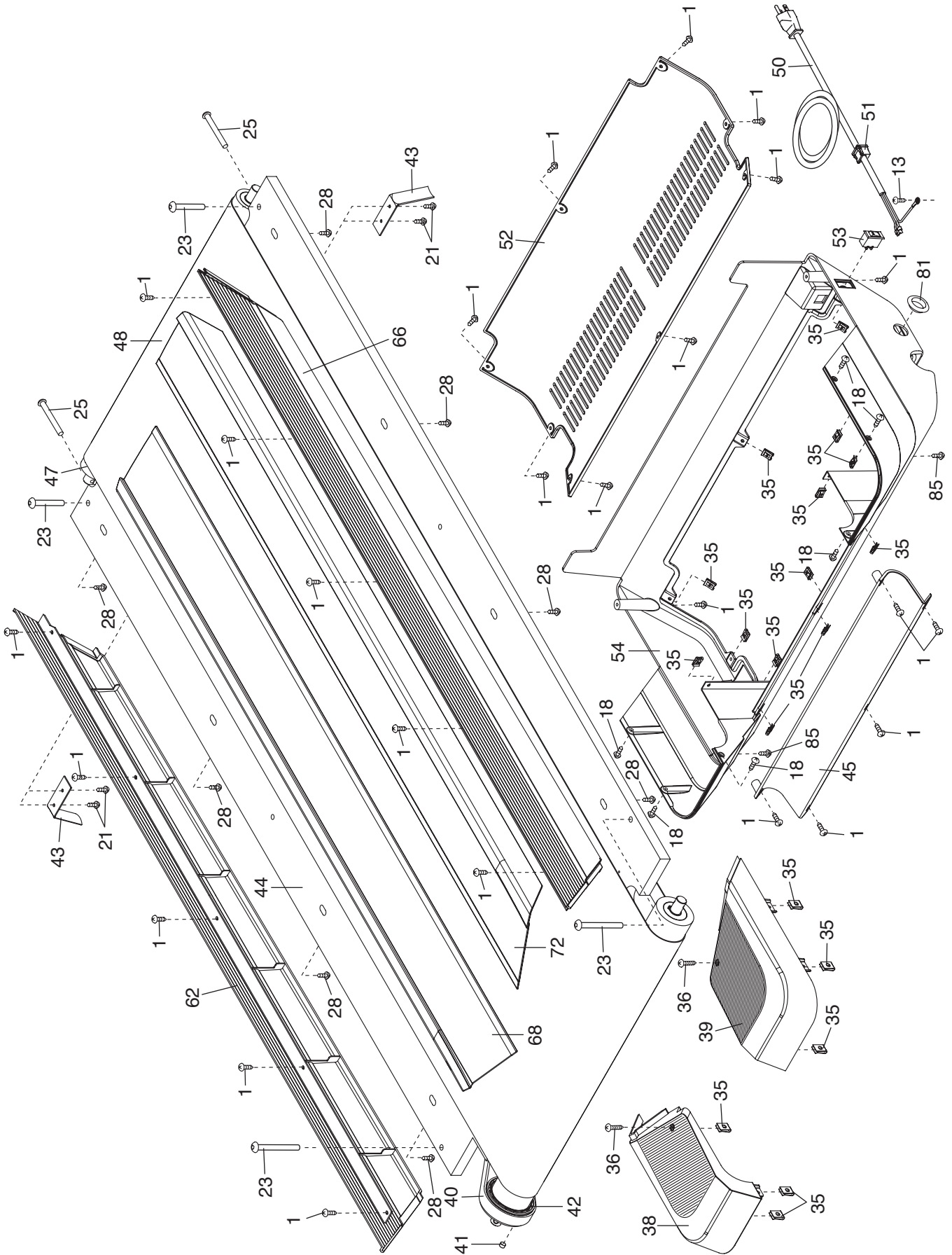


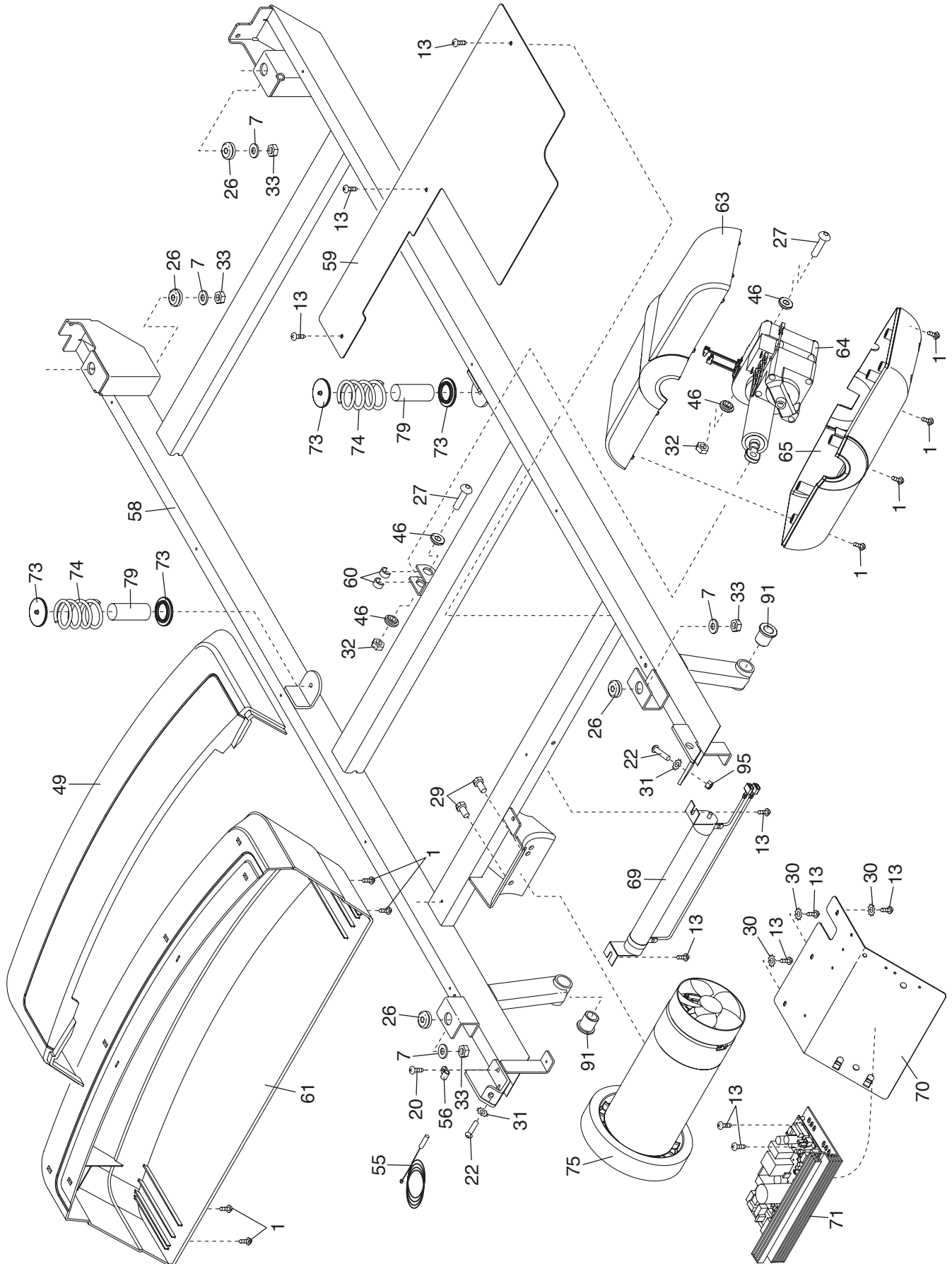
# EXPLODED DRAWING A

Model No. NTL15010.2 R0812A



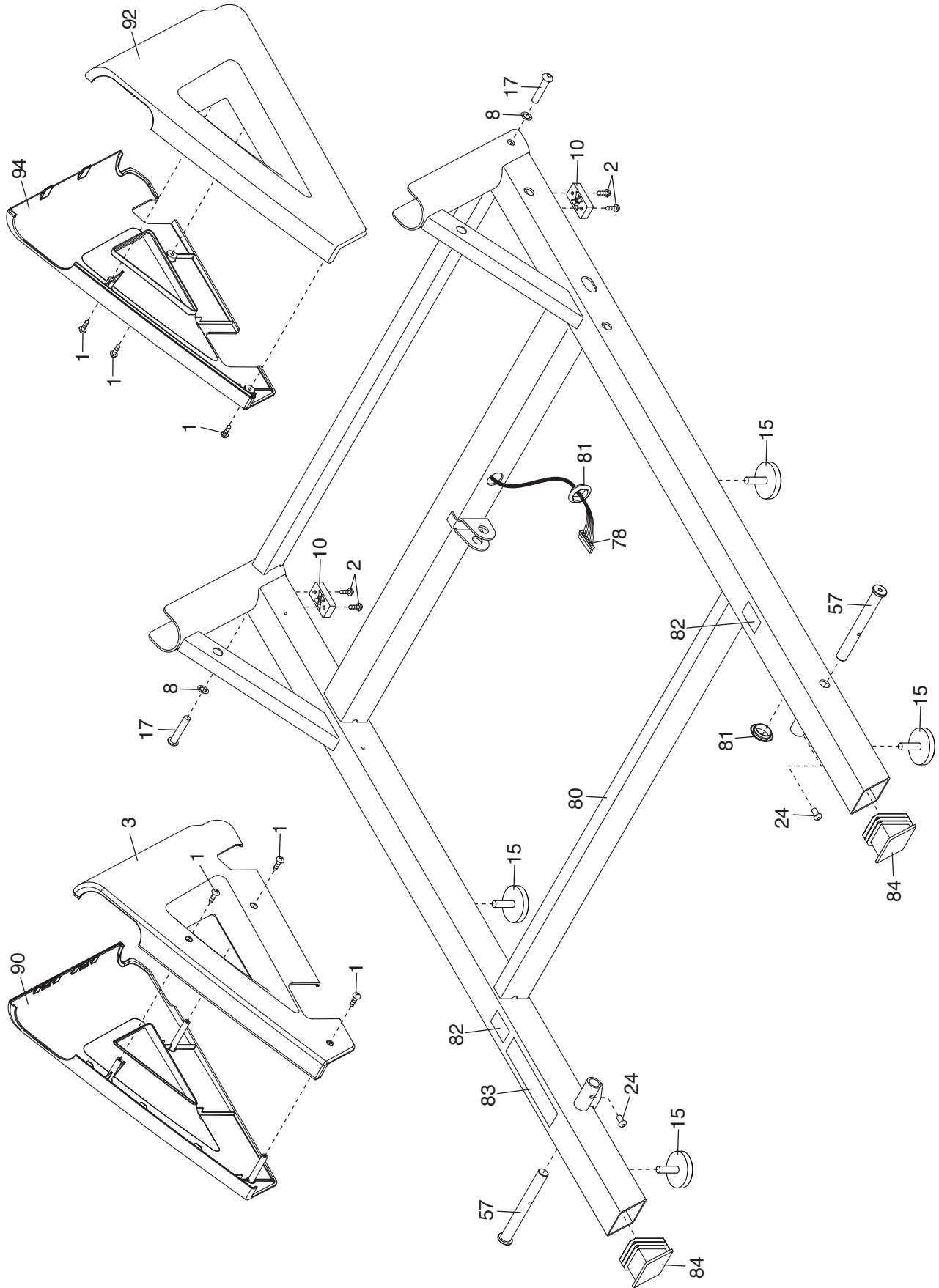
# EXPLODED DRAWING B

Model No. NTL15010.2 R0812A



# EXPLODED DRAWING C

Model No. NTL15010.2 R0812A





# EXPLODED DRAWING E

Model No. NTL15010.2 R0812A

