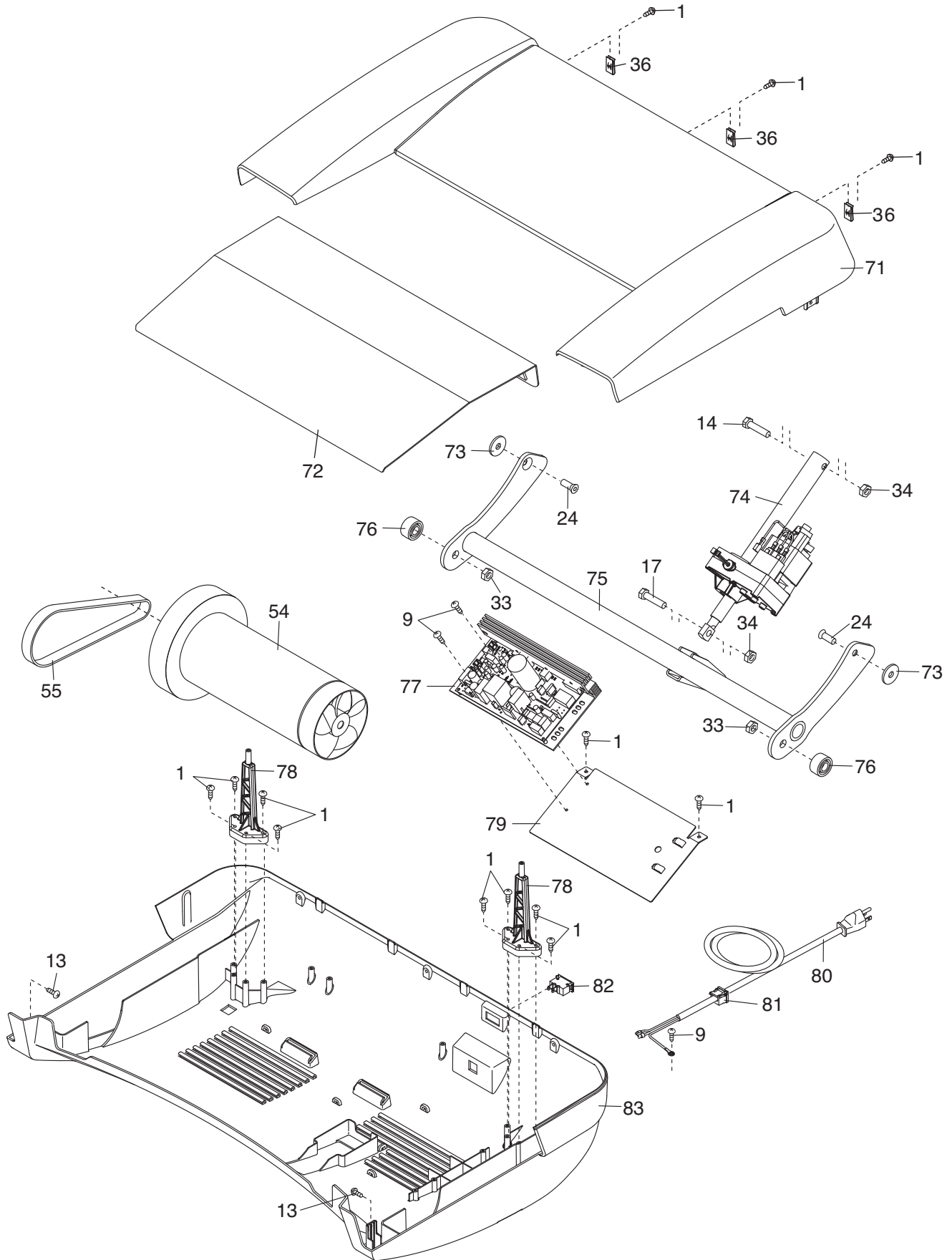


EXPLODED DRAWING B

Model No. NTL17010.0 R1210A



EXPLODED DRAWING D

Model No. NTL17010.0 R1210A

