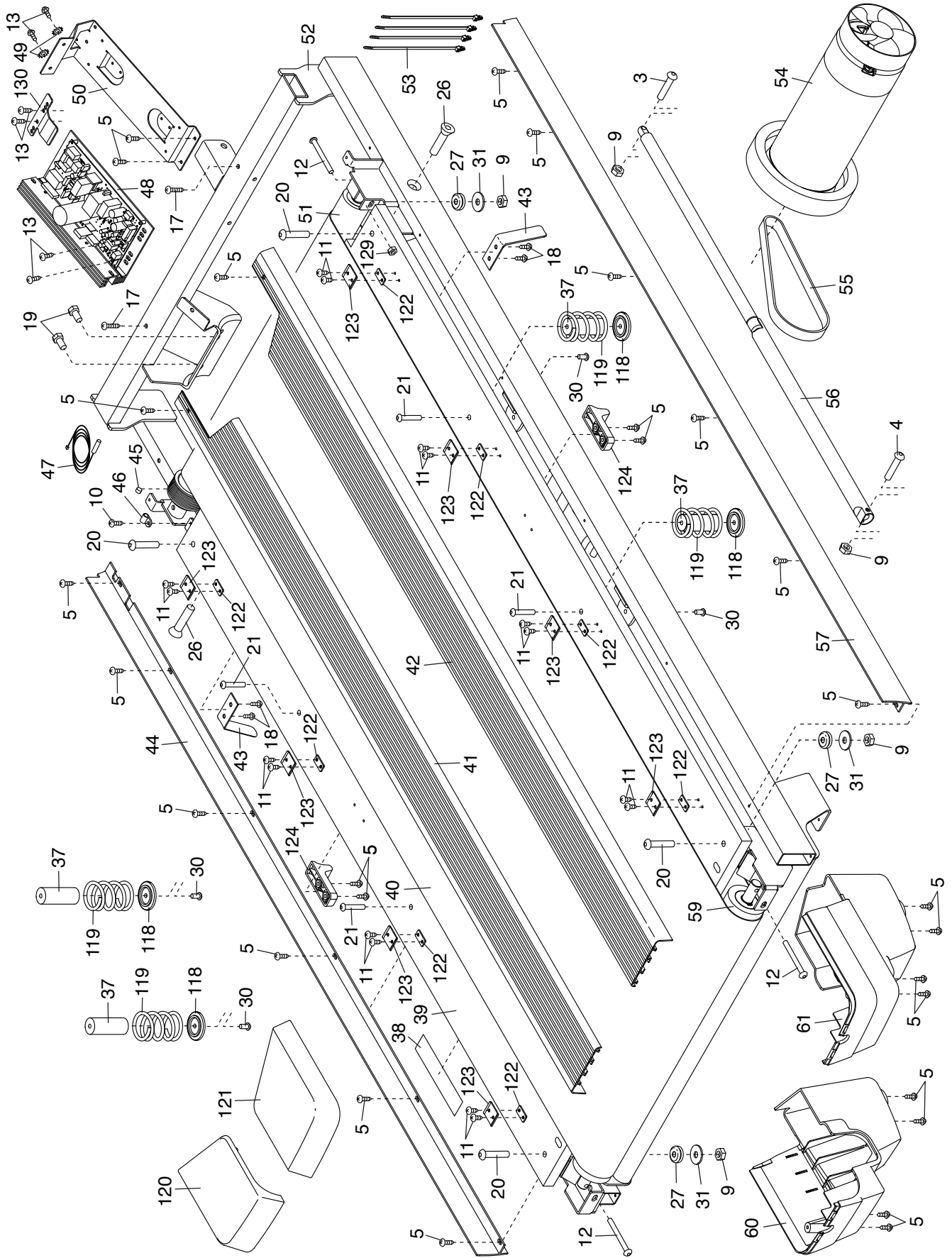


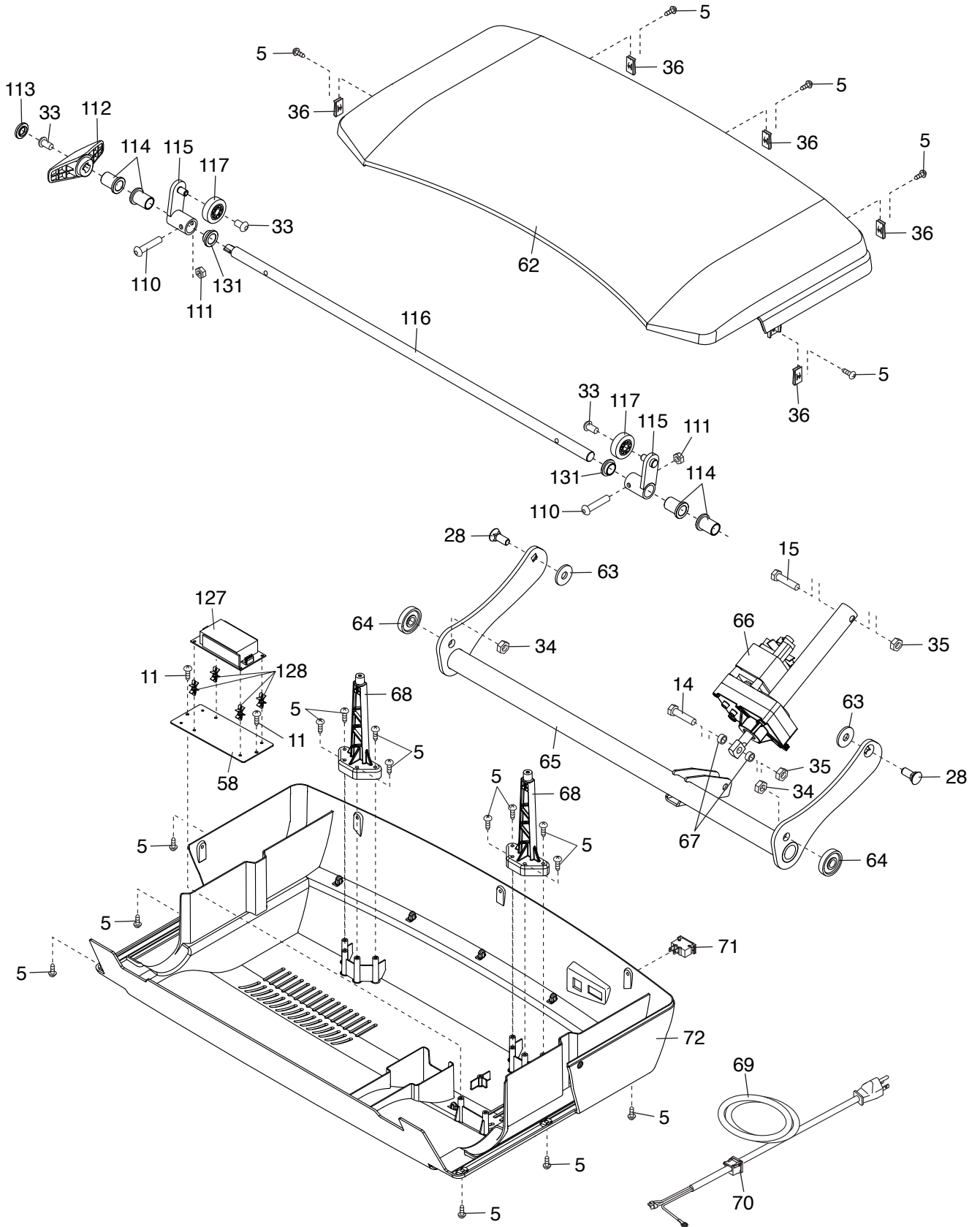
EXPLODED DRAWING A

Model No. NTL17113.4 R1014A



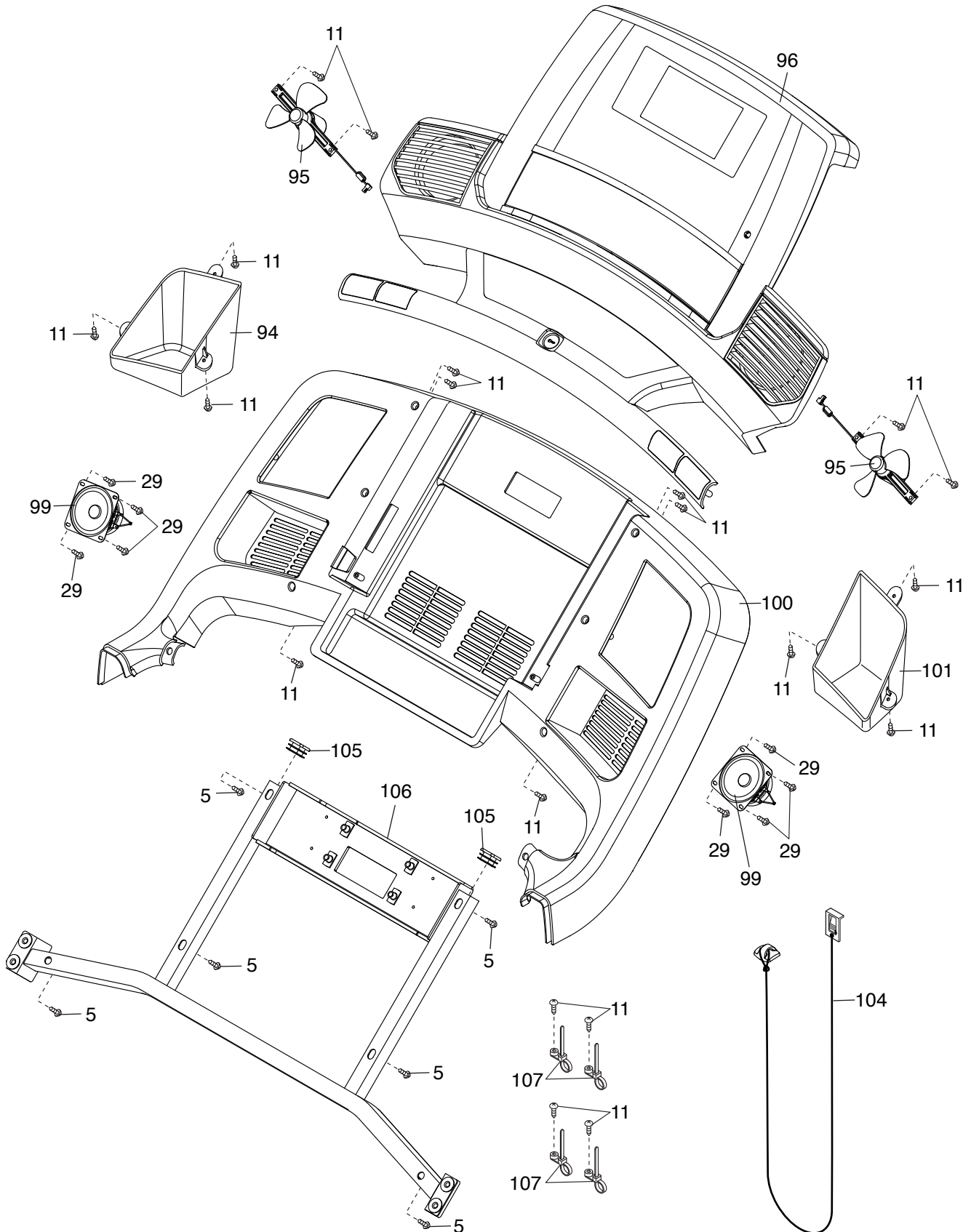
EXPLODED DRAWING B

Model No. NTL17113.4 R1014A



EXPLODED DRAWING D

Model No. NTL17113.4 R1014A



EXPLODED DRAWING E

Model No. NTL17113.4 R1014A

