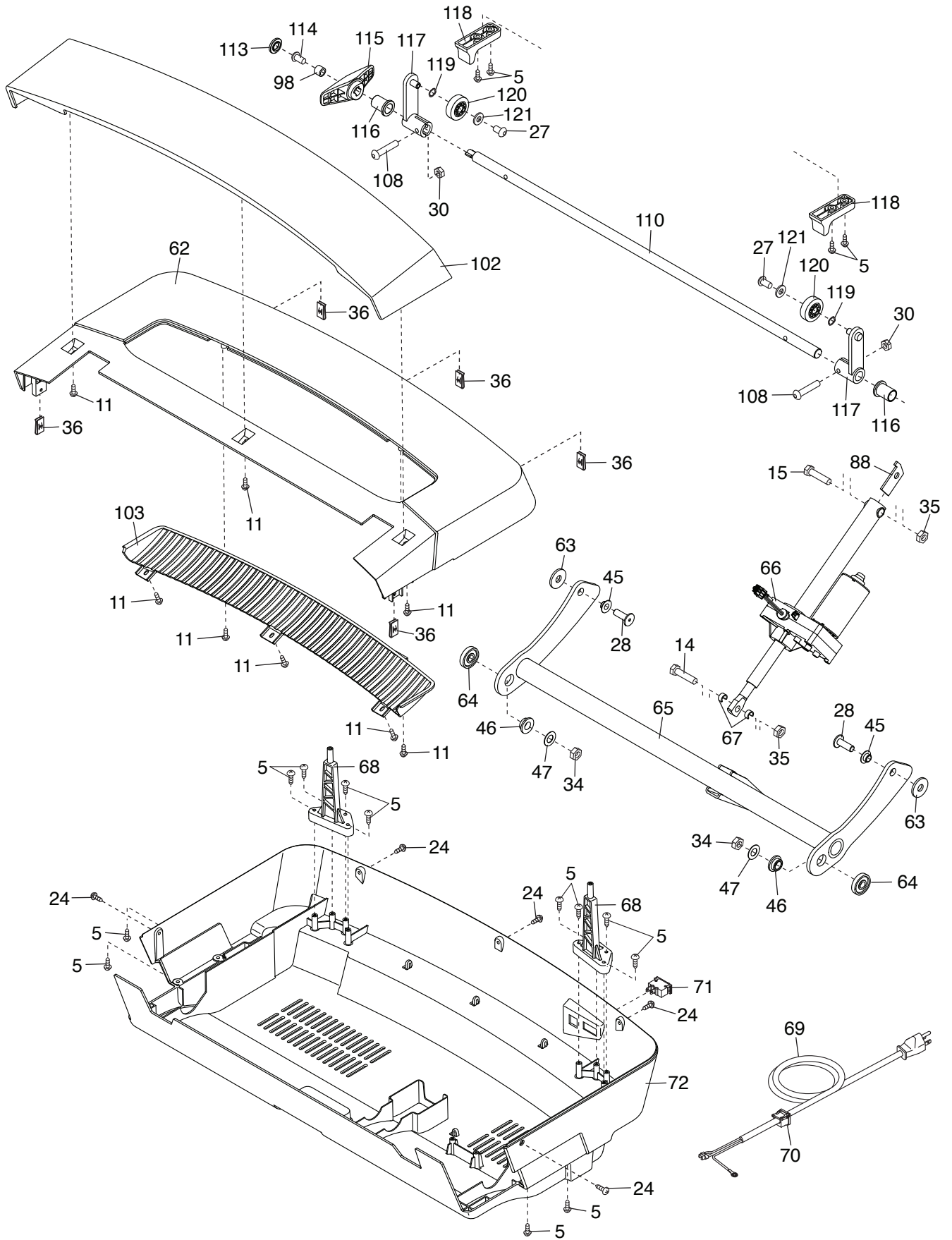




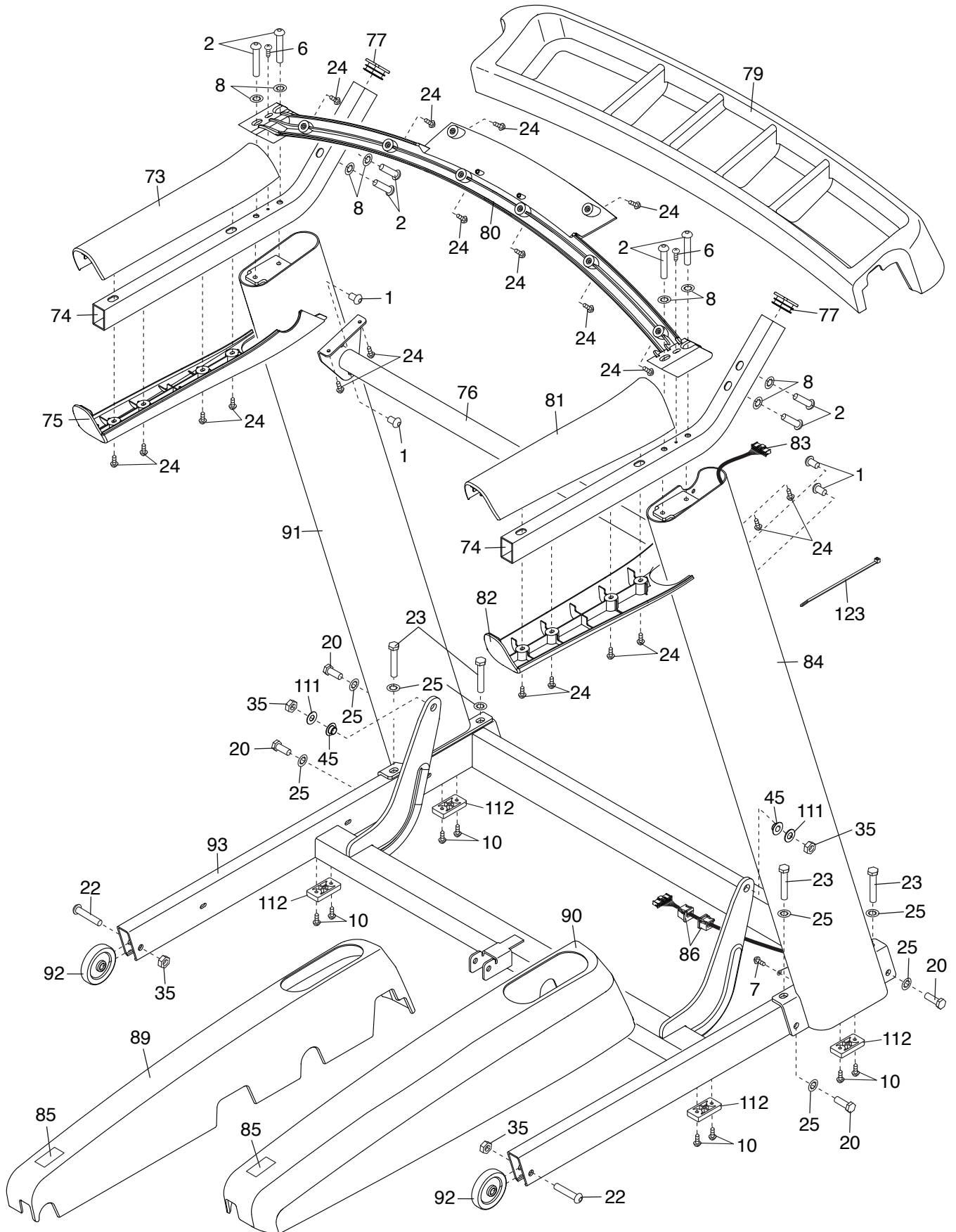
# EXPLODED DRAWING B

Model No. NTL17221.0 R1120A



# EXPLODED DRAWING C

Model No. NTL17221.0 R1120A



# EXPLODED DRAWING D

Model No. NTL17221.0 R1120A

