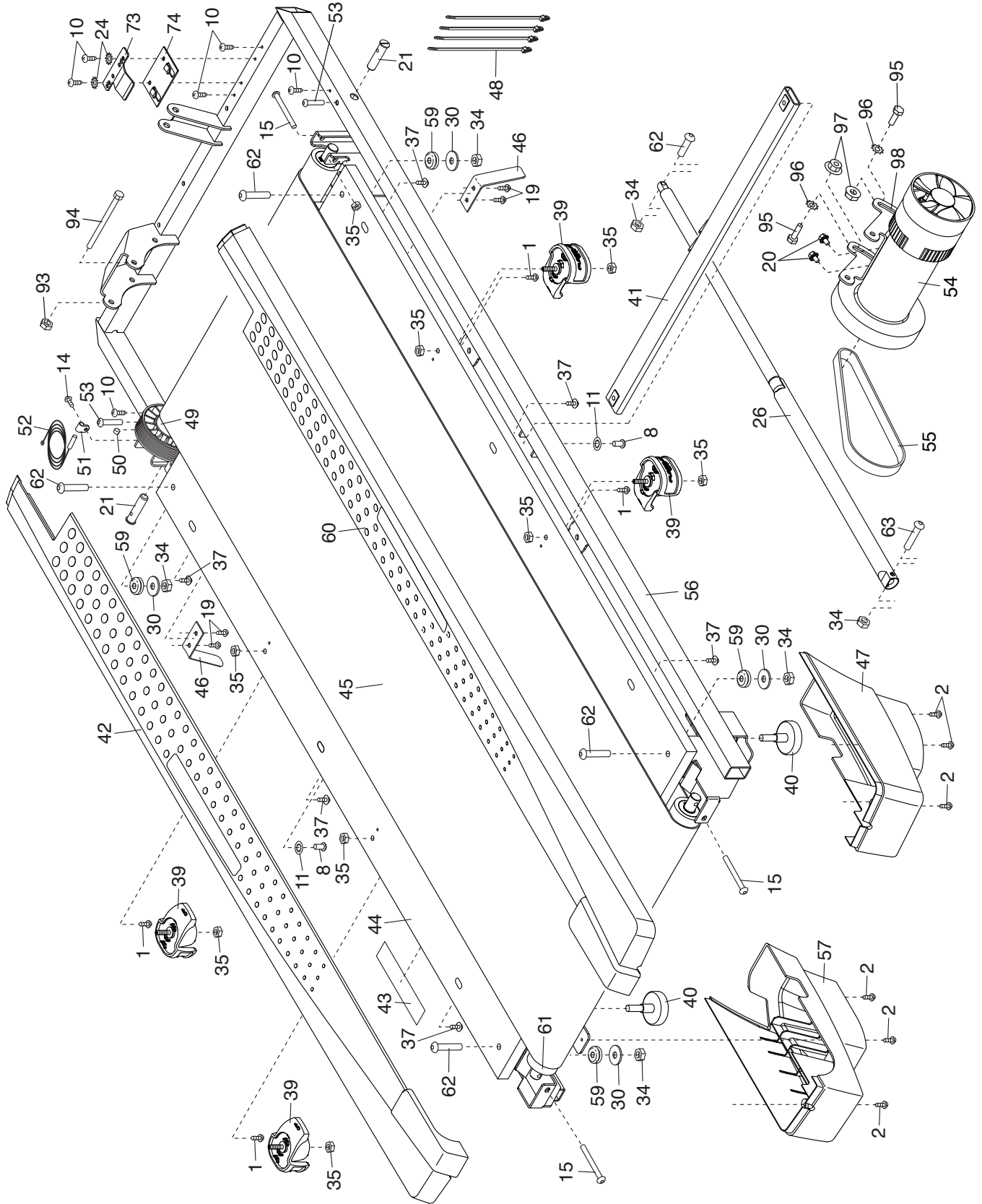


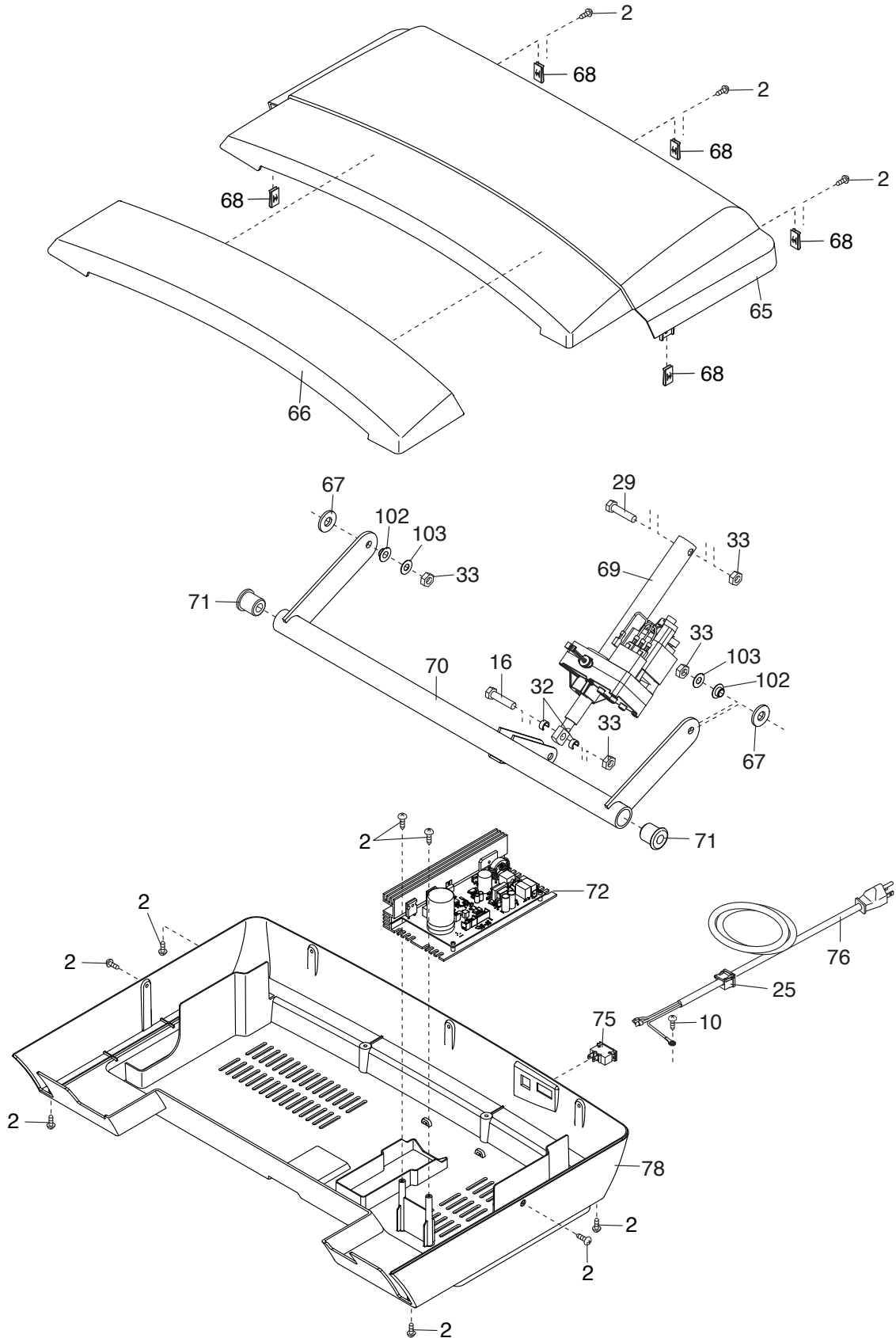
EXPLODED DRAWING A

Model No. NTL17915.14 R0818A



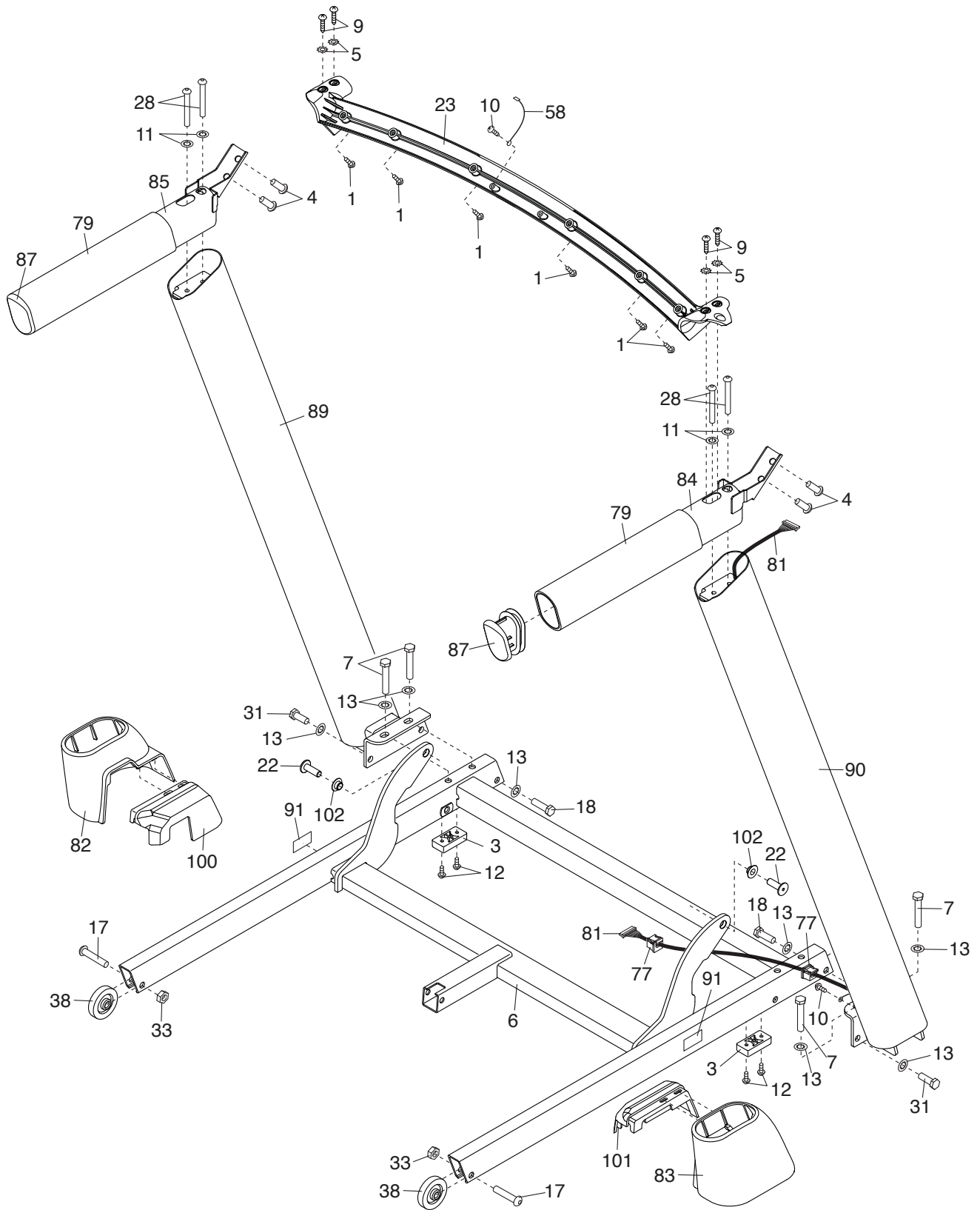
EXPLODED DRAWING B

Model No. NTL17915.14 R0818A



EXPLODED DRAWING C

Model No. NTL17915.14 R0818A



EXPLODED DRAWING D

Model No. NTL17915.14 R0818A

