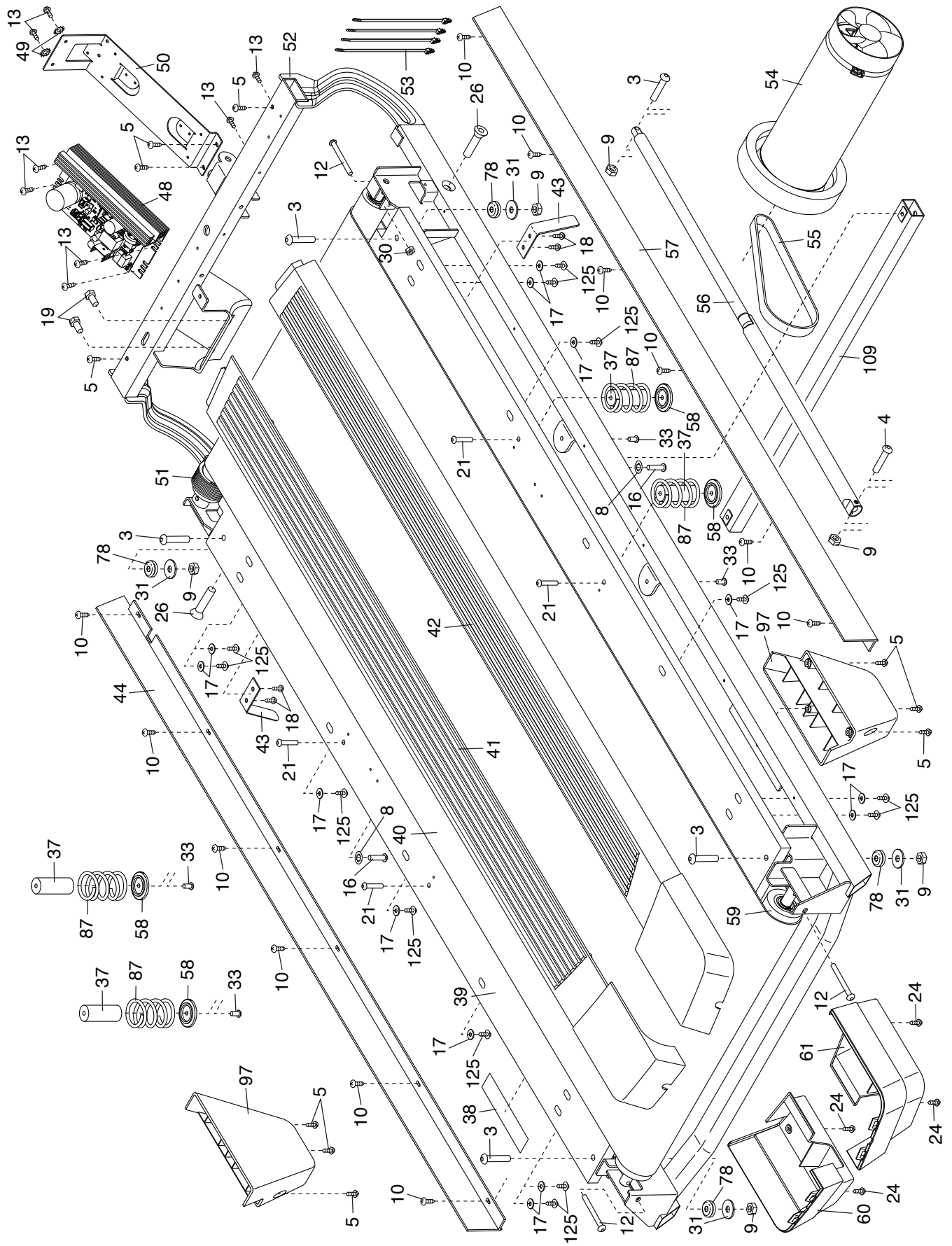


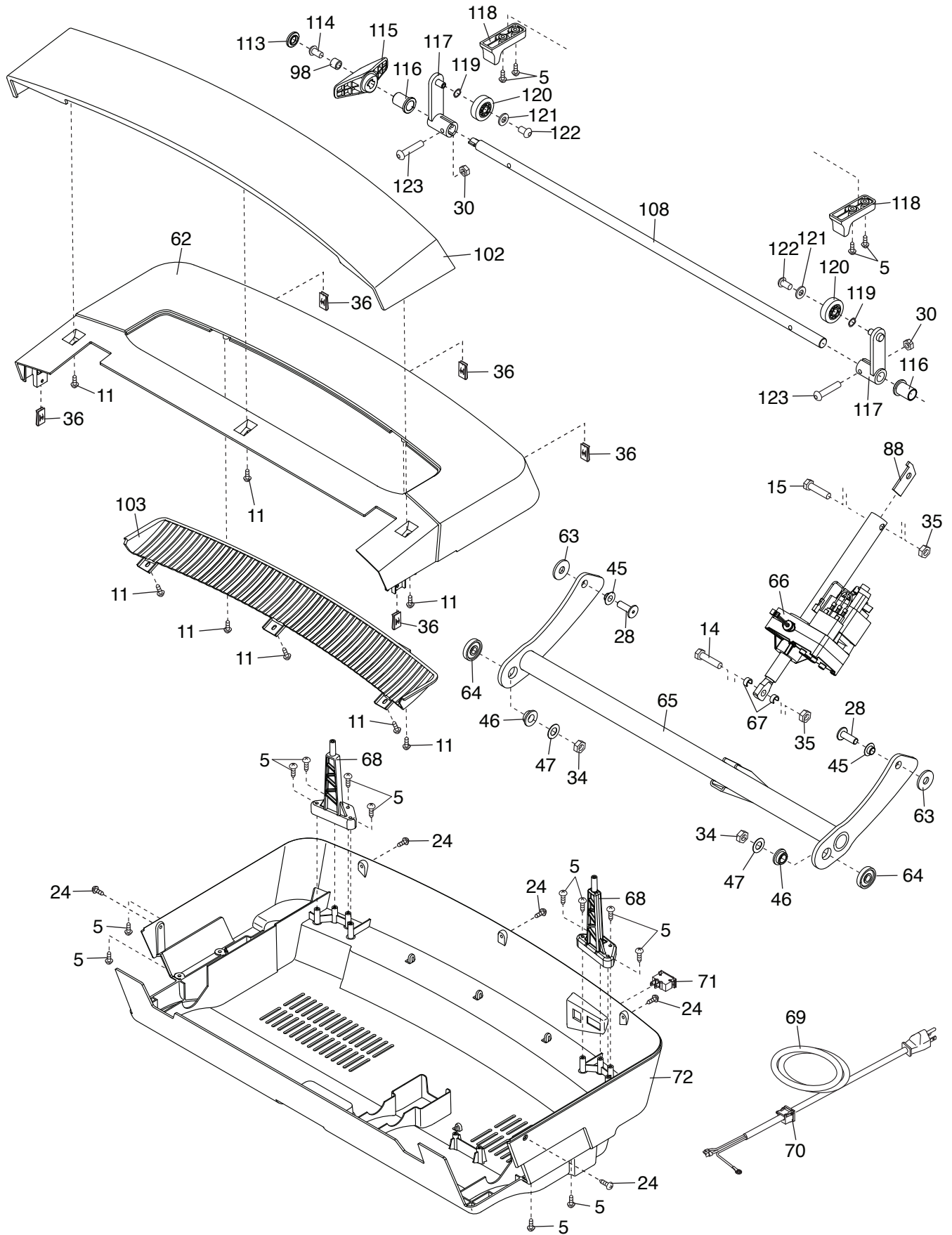
# EXPLODED DRAWING A

Model No. NTL19119.6 R0519C



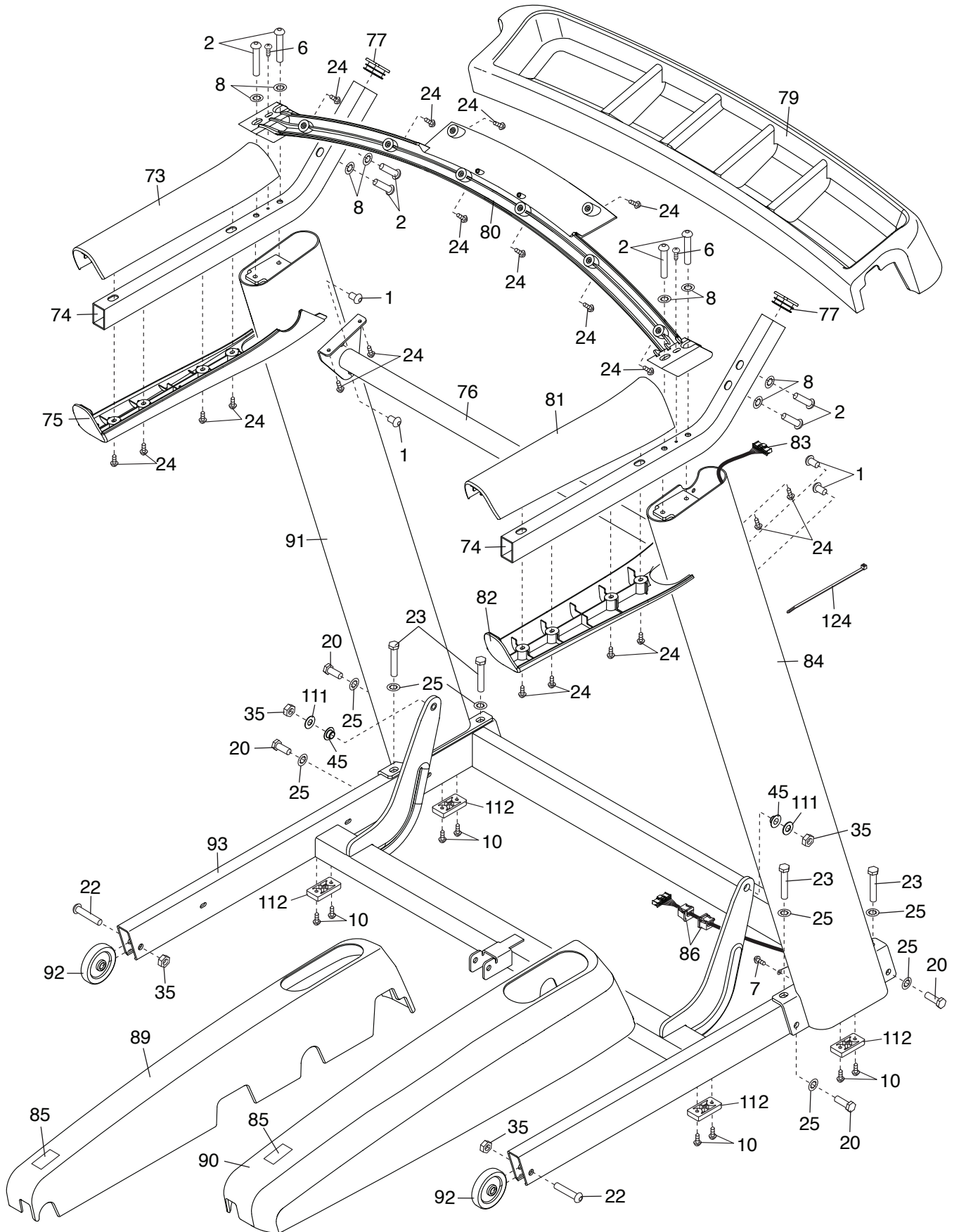
# EXPLODED DRAWING B

Model No. NTL19119.6 R0519C



# EXPLODED DRAWING C

Model No. NTL19119.6 R0519C



# EXPLODED DRAWING D

Model No. NTL19119.6 R0519C

