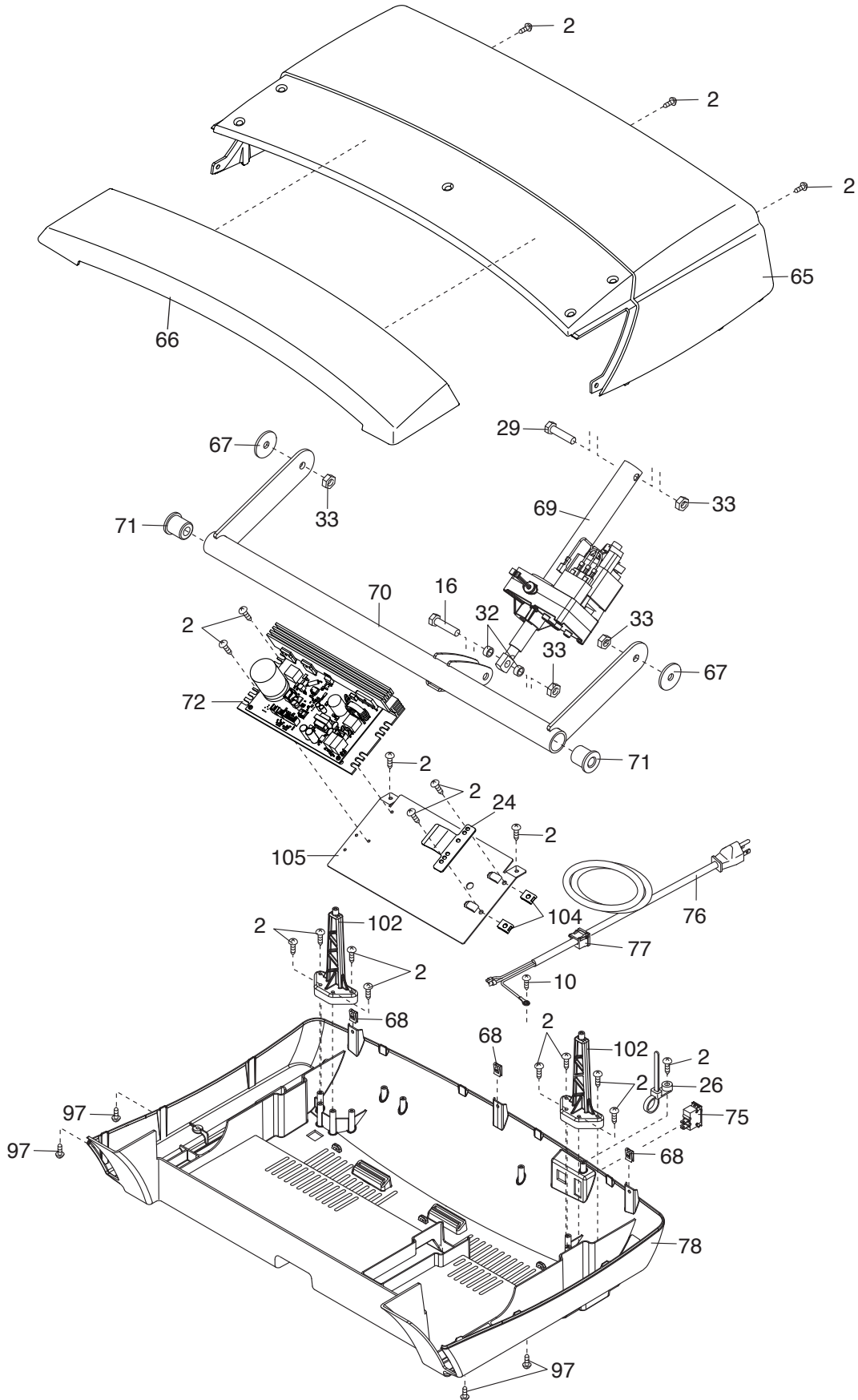


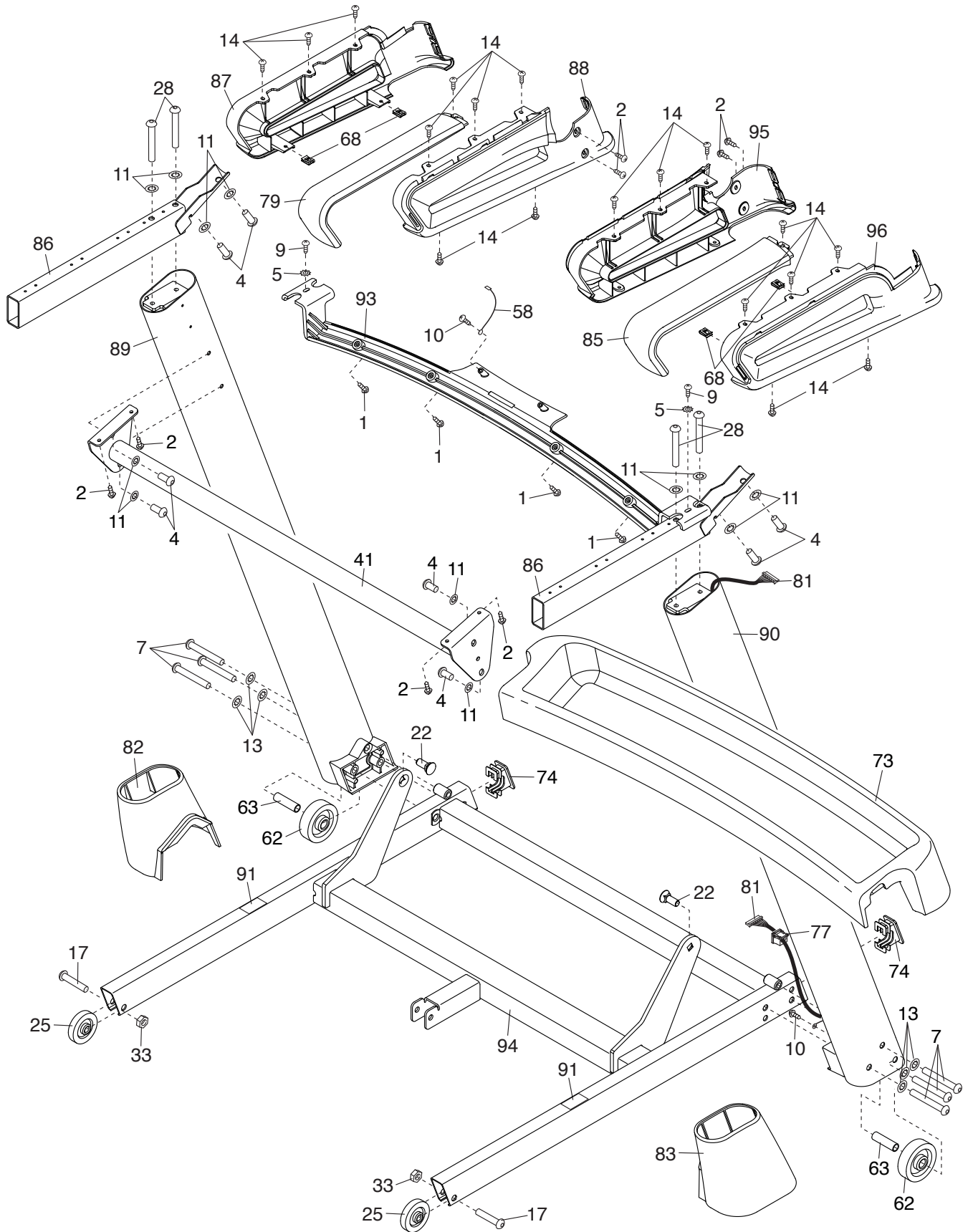
EXPLODED DRAWING B

Model No. NTL19814C.2 R1117A



EXPLODED DRAWING C

Model No. NTL19814C.2 R1117A



EXPLODED DRAWING D

Model No. NTL19814C.2 R1117A

