

# PART LIST

Model No. NTL22019.1 R0719A

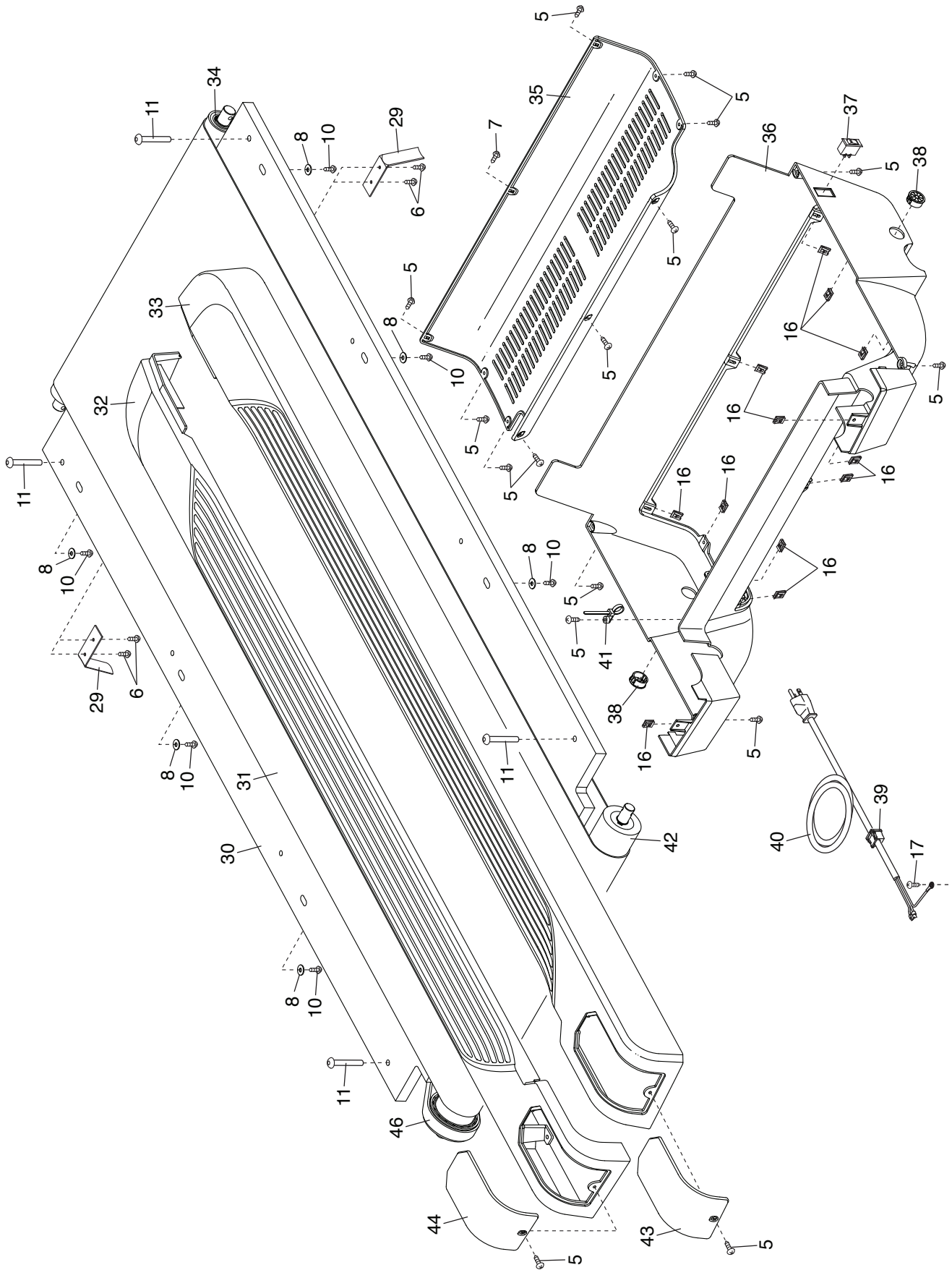
Key No.	Qty.	Description	Key No.	Qty.	Description
1	4	3/8" x 5 1/2" Screw	49	8	Cushion Cap
2	6	#8 x 1 1/4" Screw	50	4	Spring
3	16	3/8" Star Washer	51	4	Cushion
4	2	#8 x 3/4" Pan Head Tek Screw	52	1	Base Wire
5	55	#8 x 3/4" Screw	53	4	Rubber Cushion
6	4	#8 Belt Guide Screw	54	2	Large Pivot Bushing
7	7	#8 x 1/2" Screw	55	1	Electronics Cover
8	6	1/4" Flat Washer	56	1	Incline Motor Top Cover
9	8	#8 x 3/4" Washer Head Screw	57	4	#8 x 3/4" Machine Screw
10	8	#8 x 5/8" Screw	58	1	Incline Motor Bottom Bracket
11	4	5/16" x 1 1/2" Screw	59	8	Incline Motor Bushing
12	2	1/4" x 1/2" Screw	60	1	Incline Motor
13	4	1/4" x 2 1/2" Screw	61	1	Electronics Bracket
14	1	3/8" x 1 1/2" Bolt	62	1	Controller
15	1	3/8" x 2 3/8" Bolt	63	1	Resistor
16	12	Hood Clip	64	1	Drive Motor
17	12	#8 x 1/2" Washer Head Screw	65	2	5/16" Star Washer
18	4	3/8" x 3 1/4" Screw	66	1	Frame
19	6	3/8" Washer	67	1	Chest Heart Rate Monitor
20	2	5/16" Motor Bolt	68	1	Left Outside Upright Cover
21	2	3/8" x 2 3/8" Screw	69	1	Left Inside Upright Cover
22	4	3/8" x 2 3/4" Screw	70	1	Right Inside Upright Cover
23	3	#8 Star Washer	71	1	Right Outside Upright Cover
24	1	Console Back	72	2	Wheel
25	4	5/16" Flat Washer	73	4	Base Pad
26	4	3/8" Nut	74	1	Base
27	4	5/16" Nut	75	1	Upright Wire
28	1	1/4" Nut	76	3	Round Grommet
29	2	Belt Guide	77	2	Leveling Foot
30	1	Walking Platform	78	2	Axle
31	1	Walking Belt	79	2	Base Cap
32	1	Left Foot Rail	80	1	Warning Decal
33	1	Right Foot Rail	81	2	Caution Decal
34	1	Idler Roller	82	1	Left Handrail
35	1	Belly Pan Cover	83	1	Upright
36	1	Belly Pan	84	2	Console Ground Wire
37	1	Power Switch	85	1	Crossbar
38	2	Belly Pan Grommet	86	2	Handrail Cap
39	1	Grommet	87	2	5/16" x 1" Screw
40	1	Power Cord	88	1	Key
41	8	Tie	89	1	Right Handrail Top
42	1	Drive Roller/Pulley	90	1	Left Handrail Top
43	1	Right Foot Rail Cover	91	1	Left Tray
44	1	Left Foot Rail Cover	92	1	Console Base
45	4	Small Pivot Bushing	93	1	Console
46	1	Belt	94	1	Right Tray
47	1	Front Hood Cover	95	4	#8 x 1" Screw
48	1	Front Hood	96	2	#8 x 3/4" HiLo Screw

<b>Key No.</b>	<b>Qty.</b>	<b>Description</b>	<b>Key No.</b>	<b>Qty.</b>	<b>Description</b>
97	1	Right Handrail	101	2	Fan
98	1	Left Handrail Bottom	102	4	Fan Screw
99	1	Right Handrail Bottom	*	–	User's Manual
100	4	3/8" x 3/4" Screw			

Note: Specifications are subject to change without notice. For information about ordering replacement parts, see the back cover of this manual. \*These parts are not illustrated.

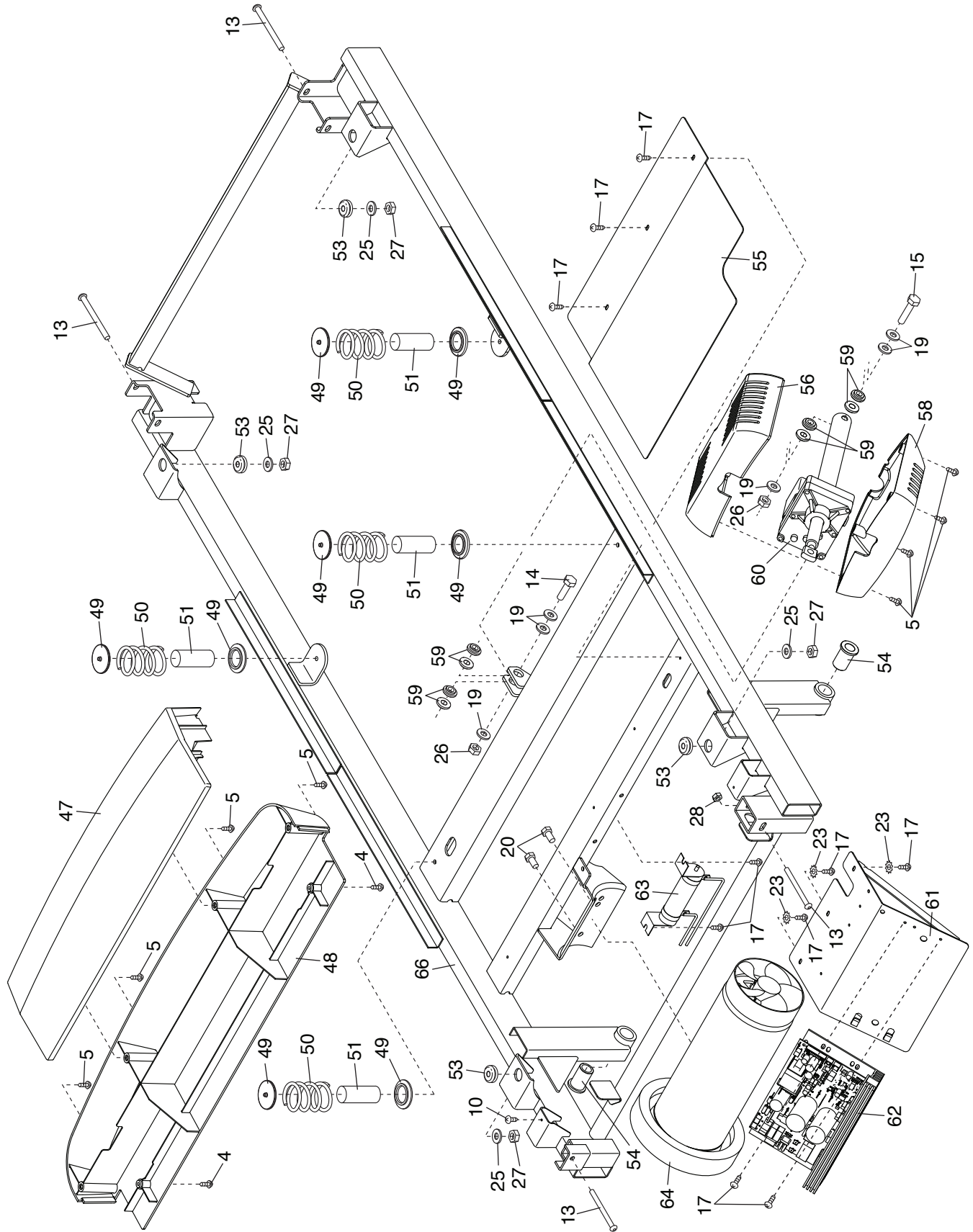
# EXPLODED DRAWING A

Model No. NTL22019.1 R0719A



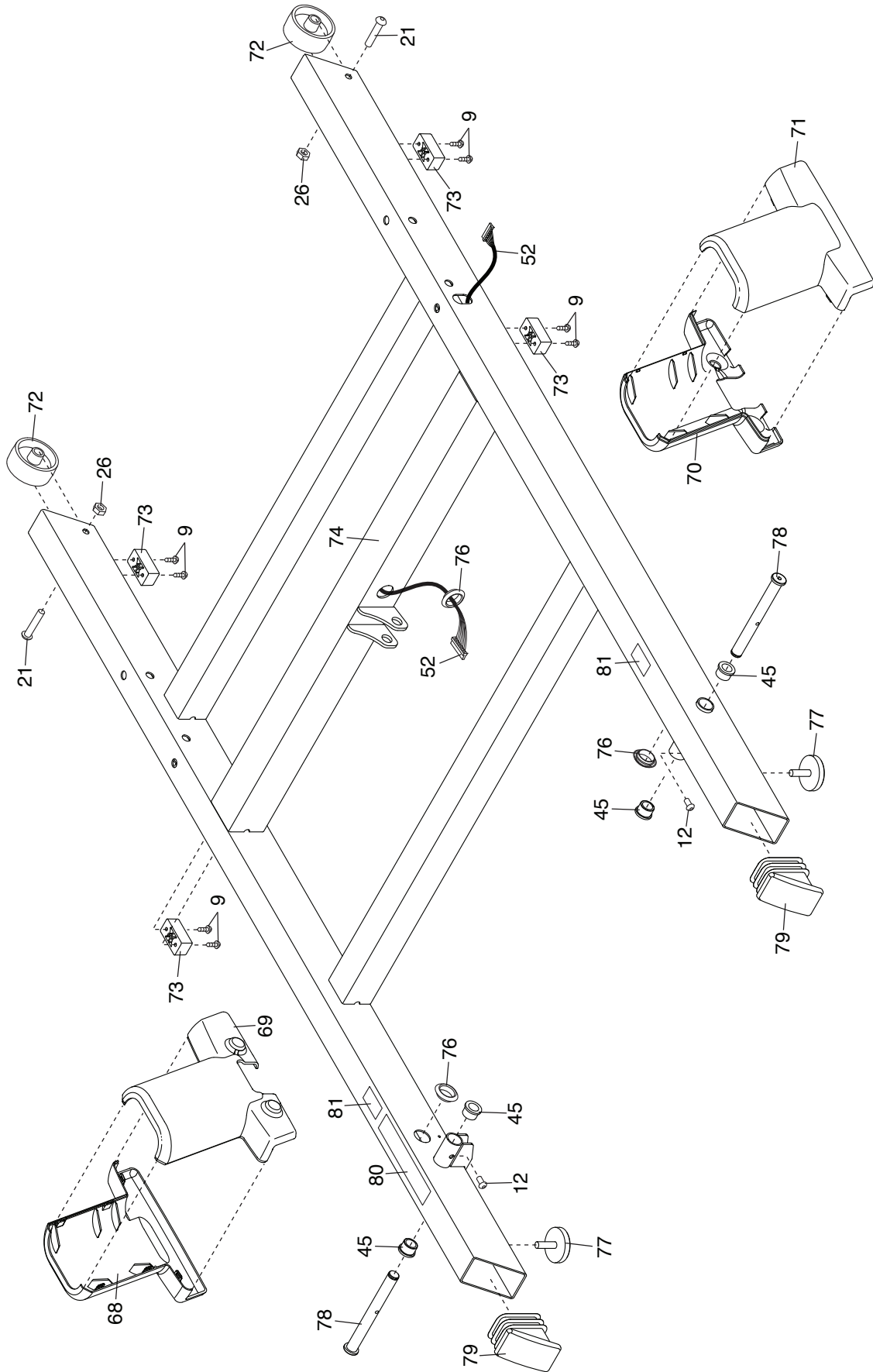
# EXPLODED DRAWING B

Model No. NTL22019.1 R0719A



# EXPLODED DRAWING C

Model No. NTL22019.1 R0719A





# EXPLODED DRAWING E

Model No. NTL22019.1 R0719A

