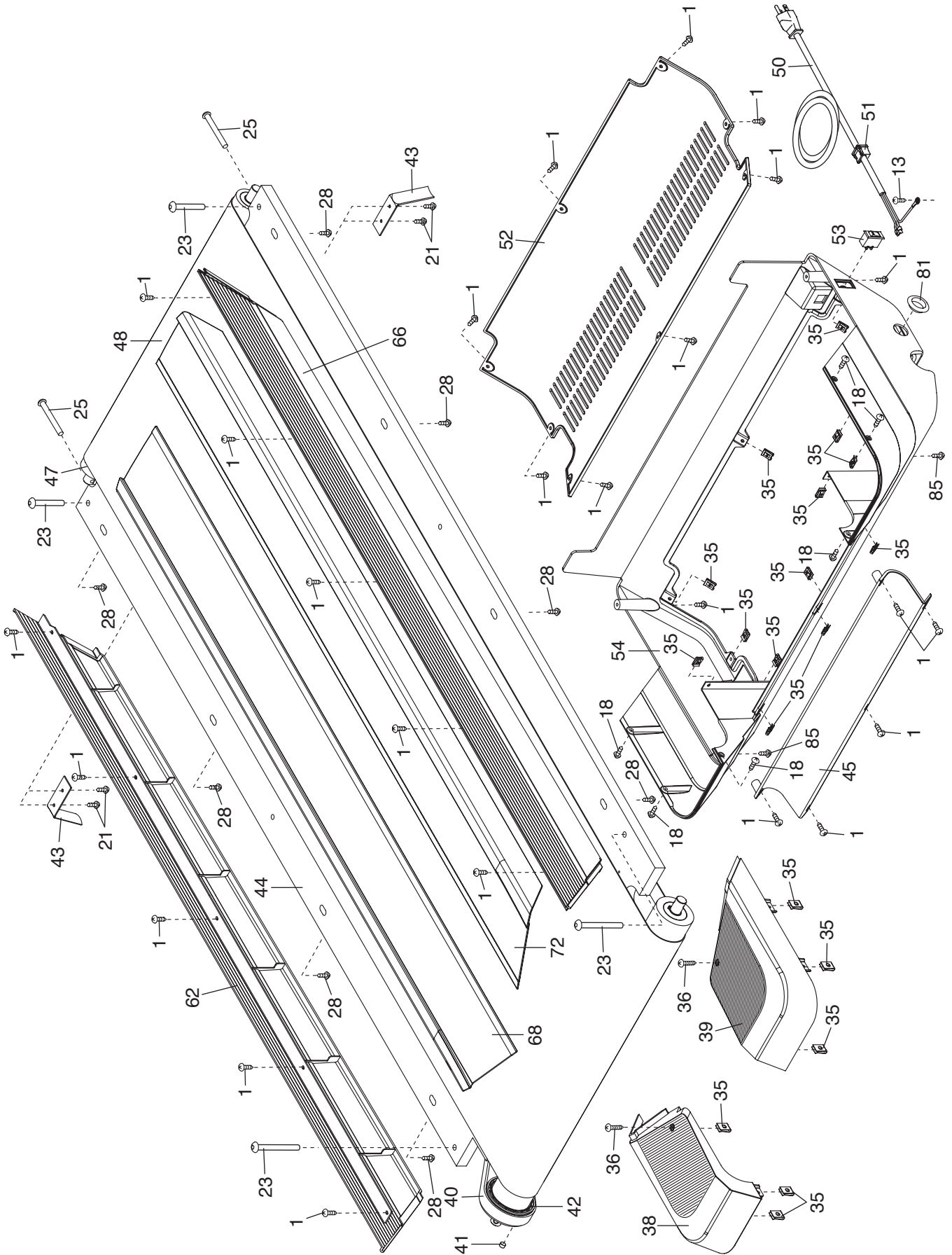


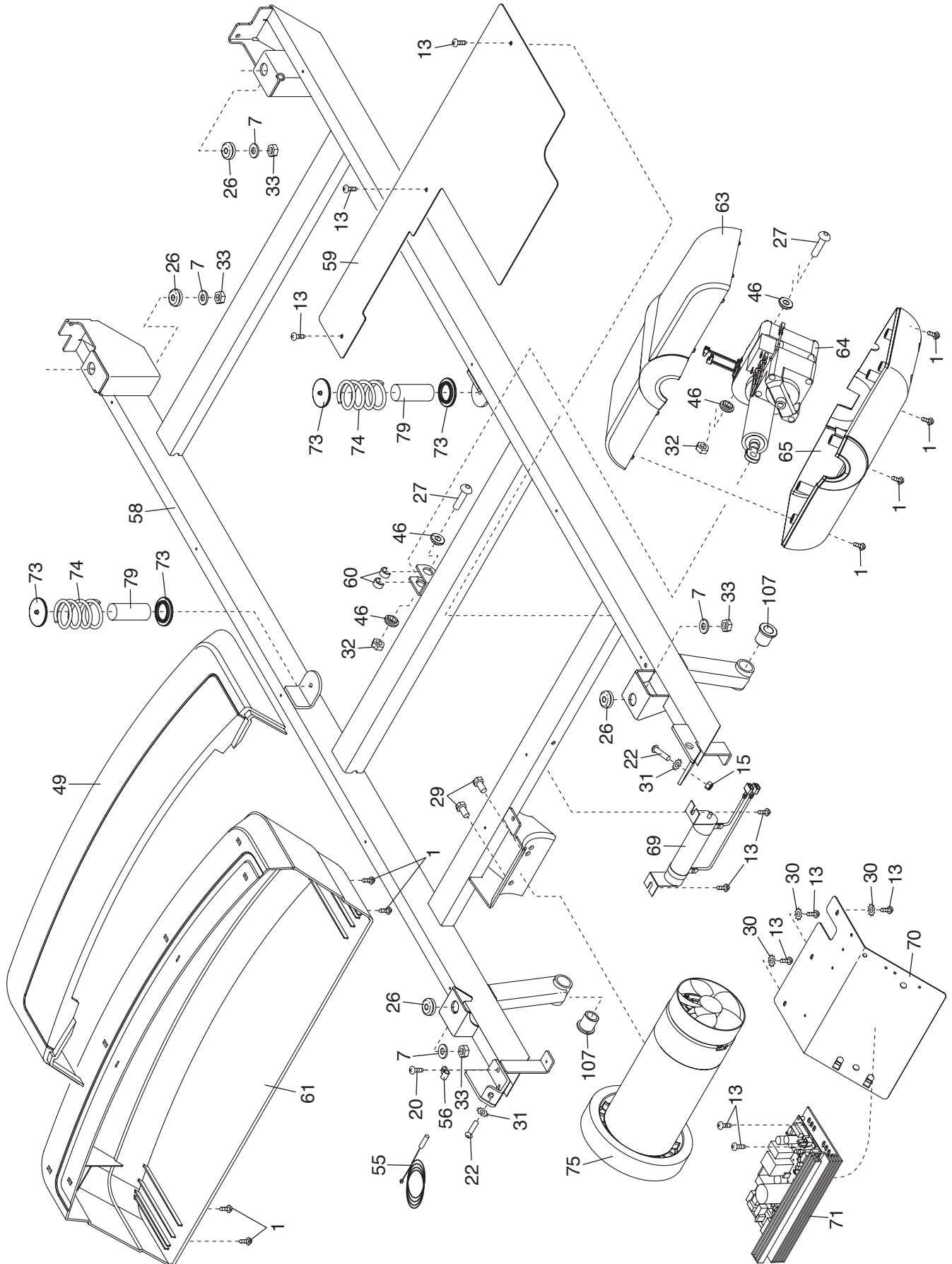
# EXPLODED DRAWING A

Model No. NTL24012.2 R0813A



# EXPLODED DRAWING B

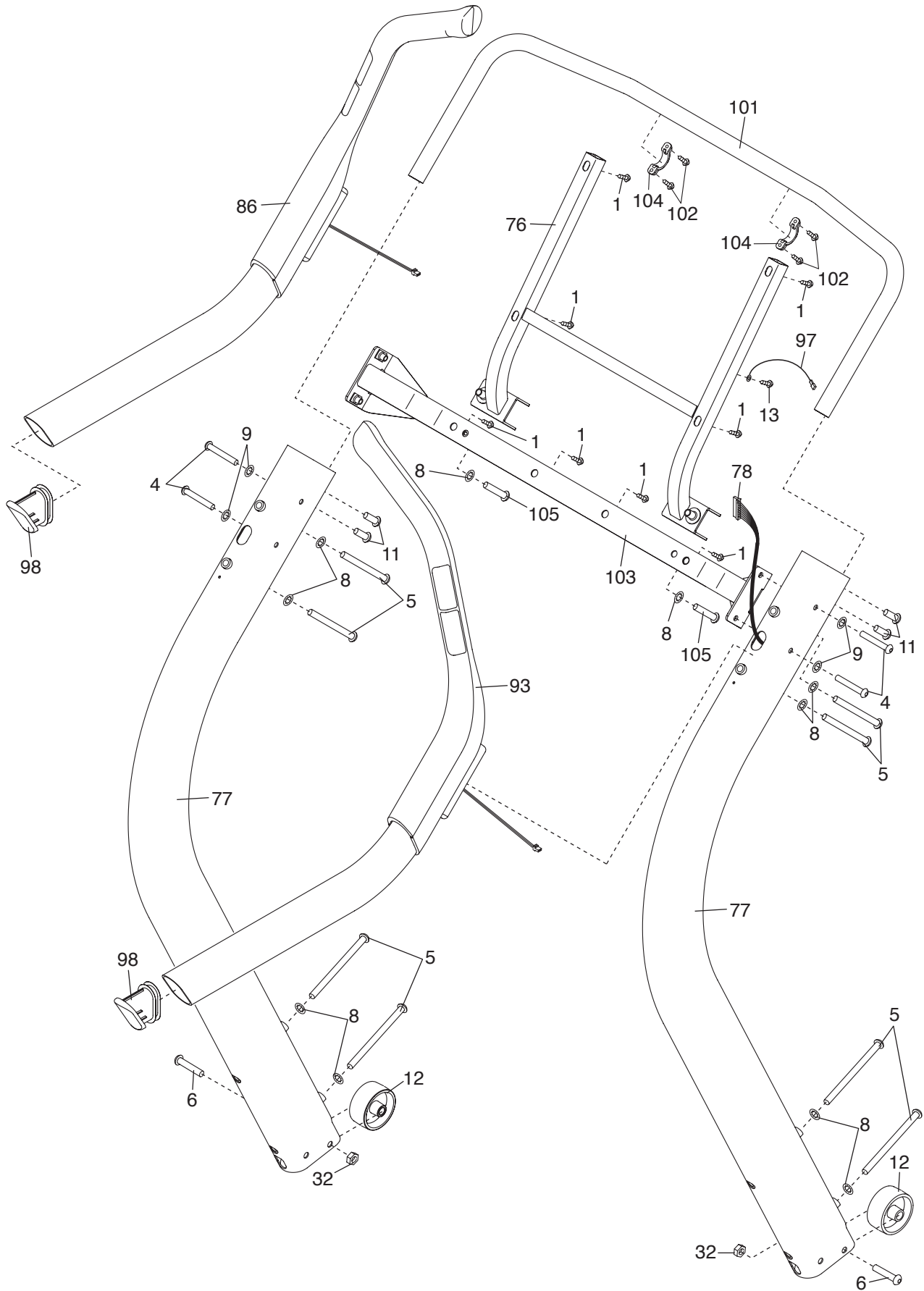
Model No. NTL24012.2 R0813A





# EXPLODED DRAWING D

Model No. NTL24012.2 R0813A



# EXPLODED DRAWING E

Model No. NTL24012.2 R0813A

