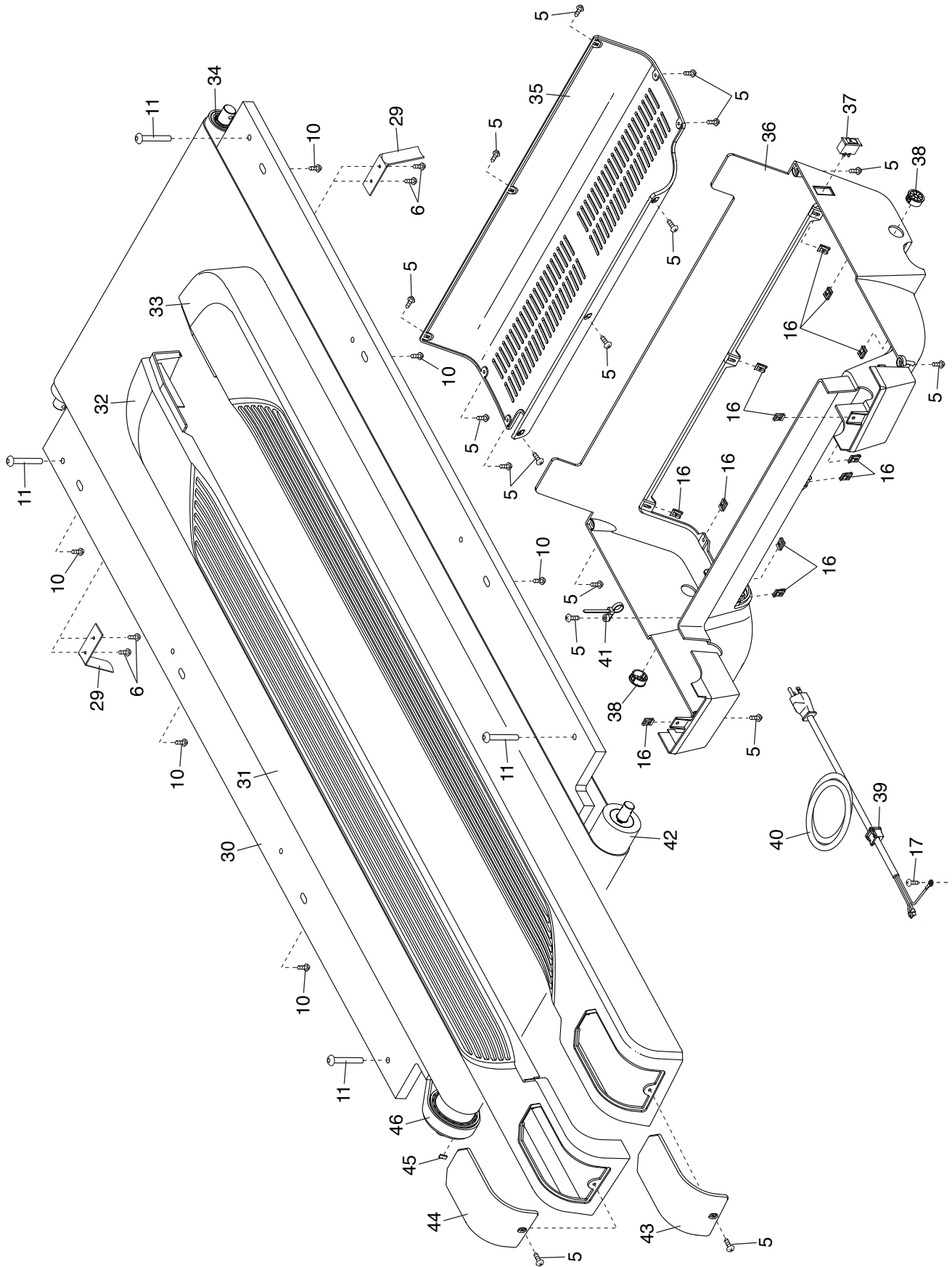


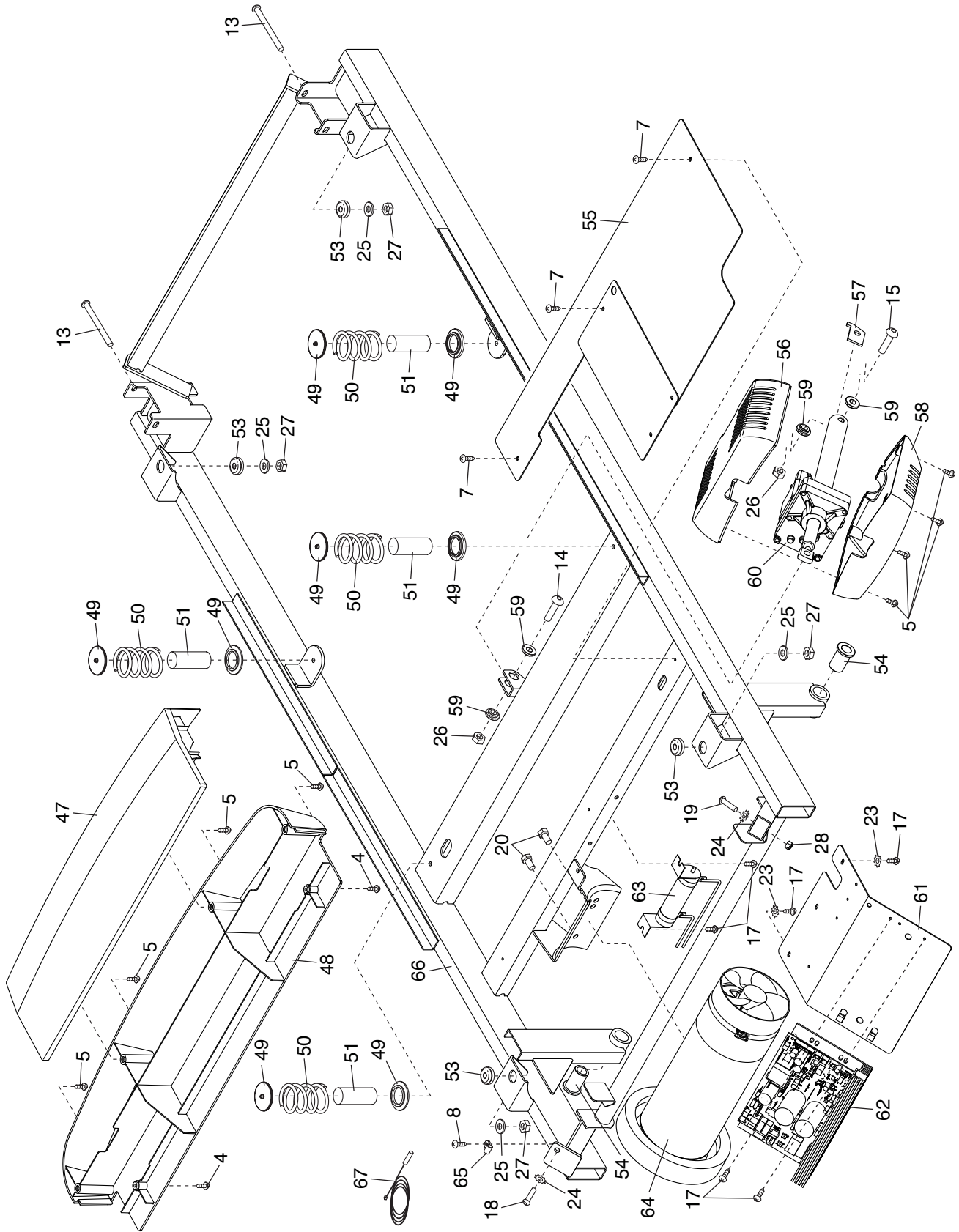
EXPLODED DRAWING A

Model No. NTL24013.1 R0715A



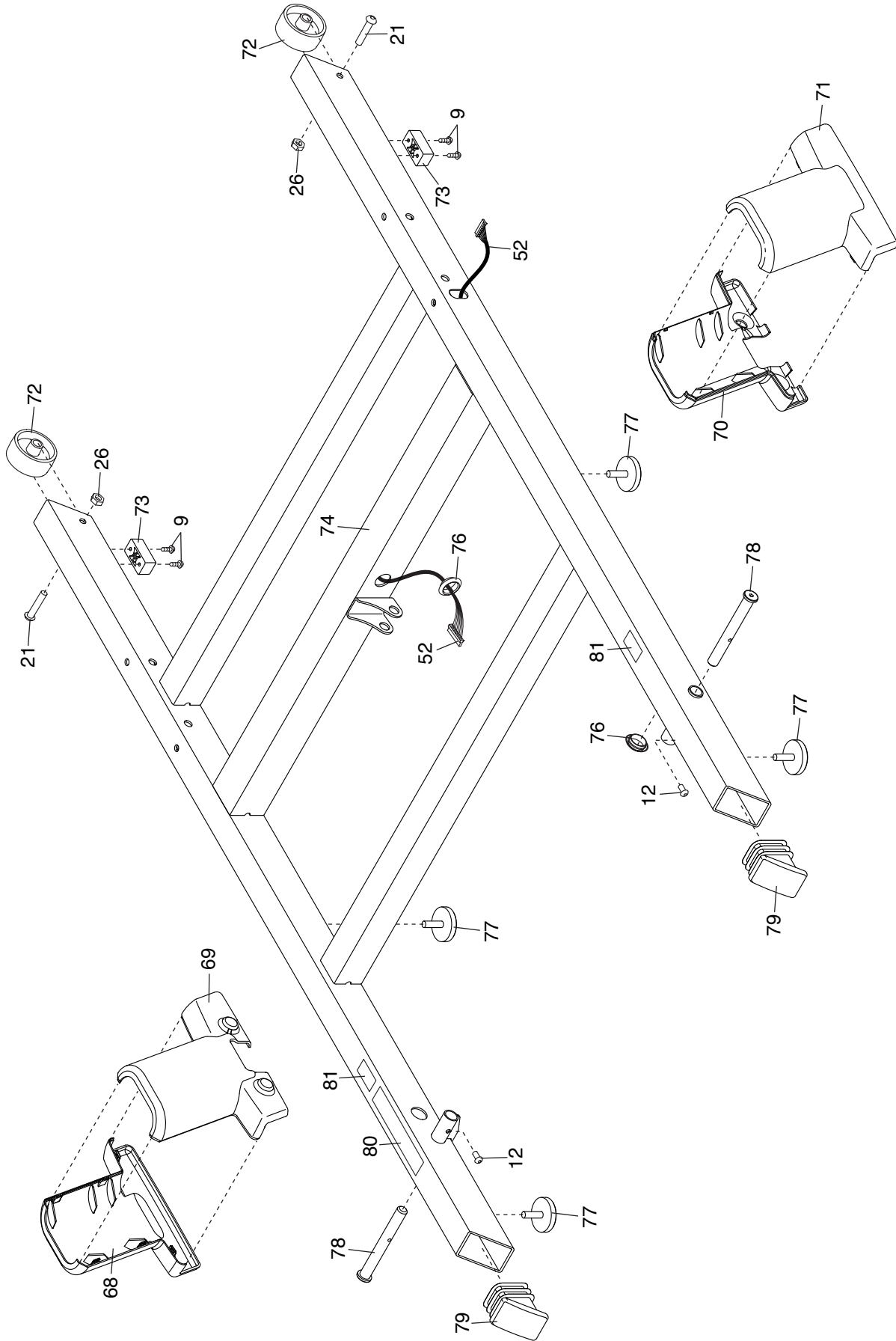
EXPLODED DRAWING B

Model No. NTL24013.1 R0715A



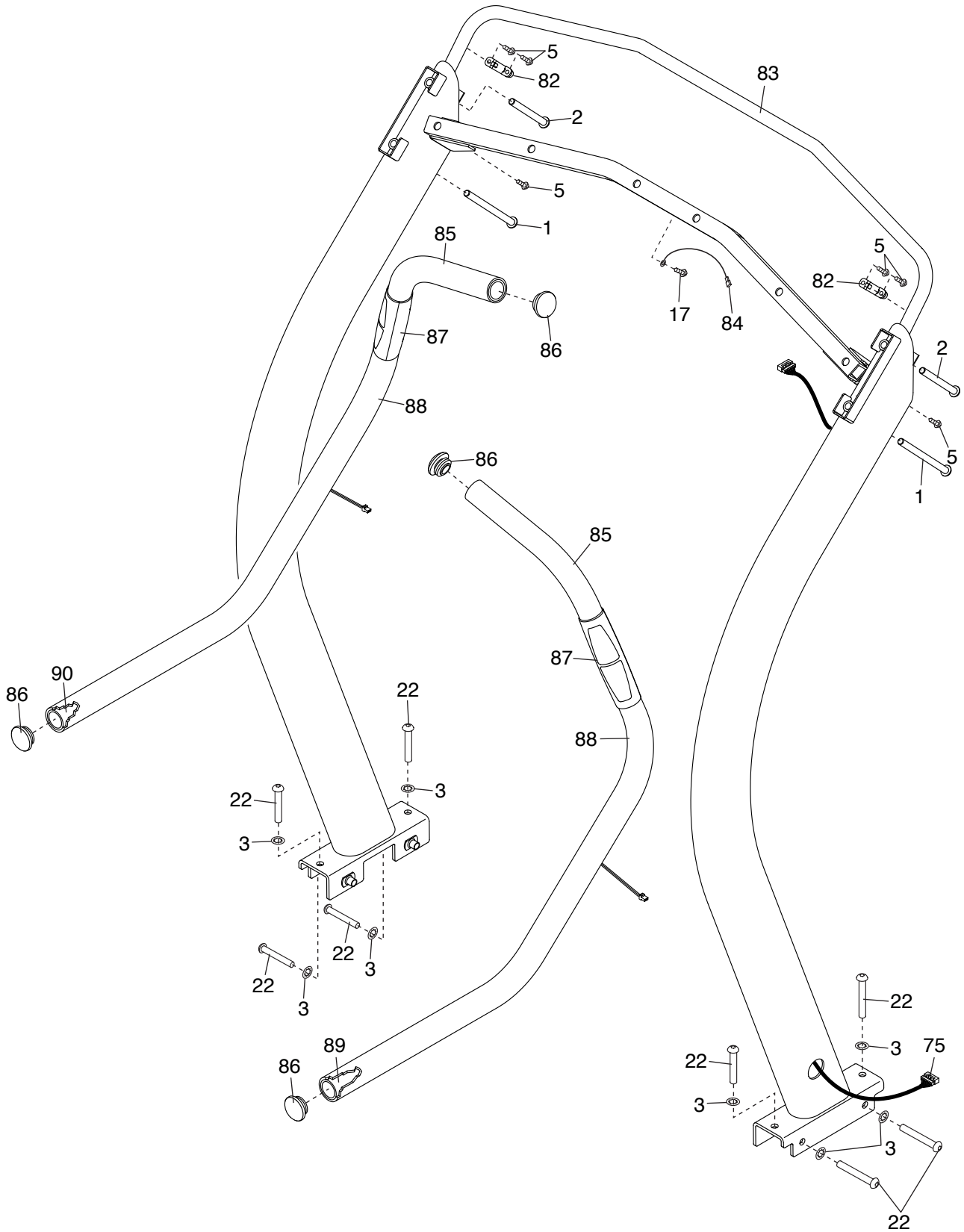
EXPLODED DRAWING C

Model No. NTL24013.1 R0715A



EXPLODED DRAWING D

Model No. NTL24013.1 R0715A



EXPLODED DRAWING E

Model No. NTL24013.1 R0715A

