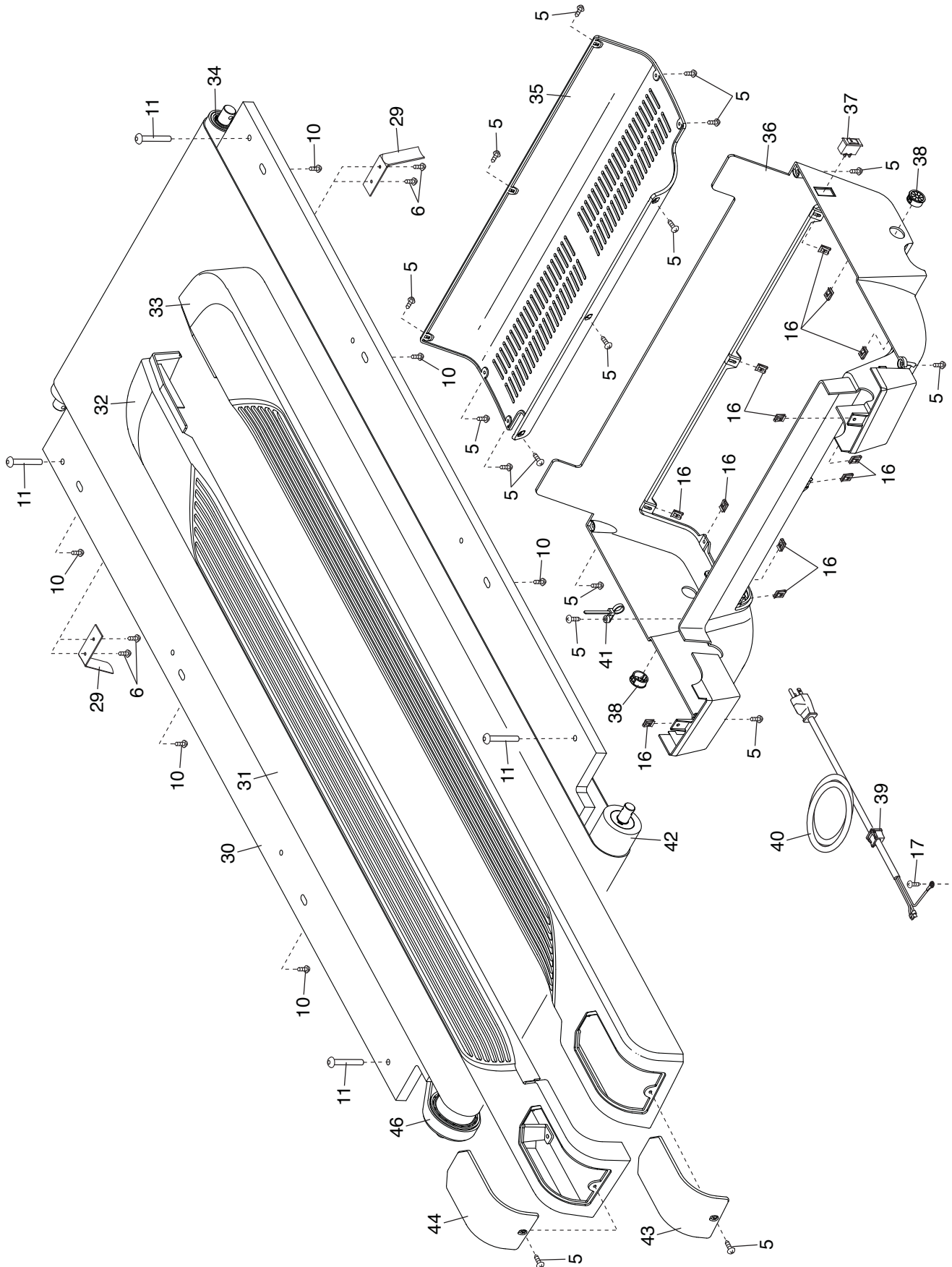


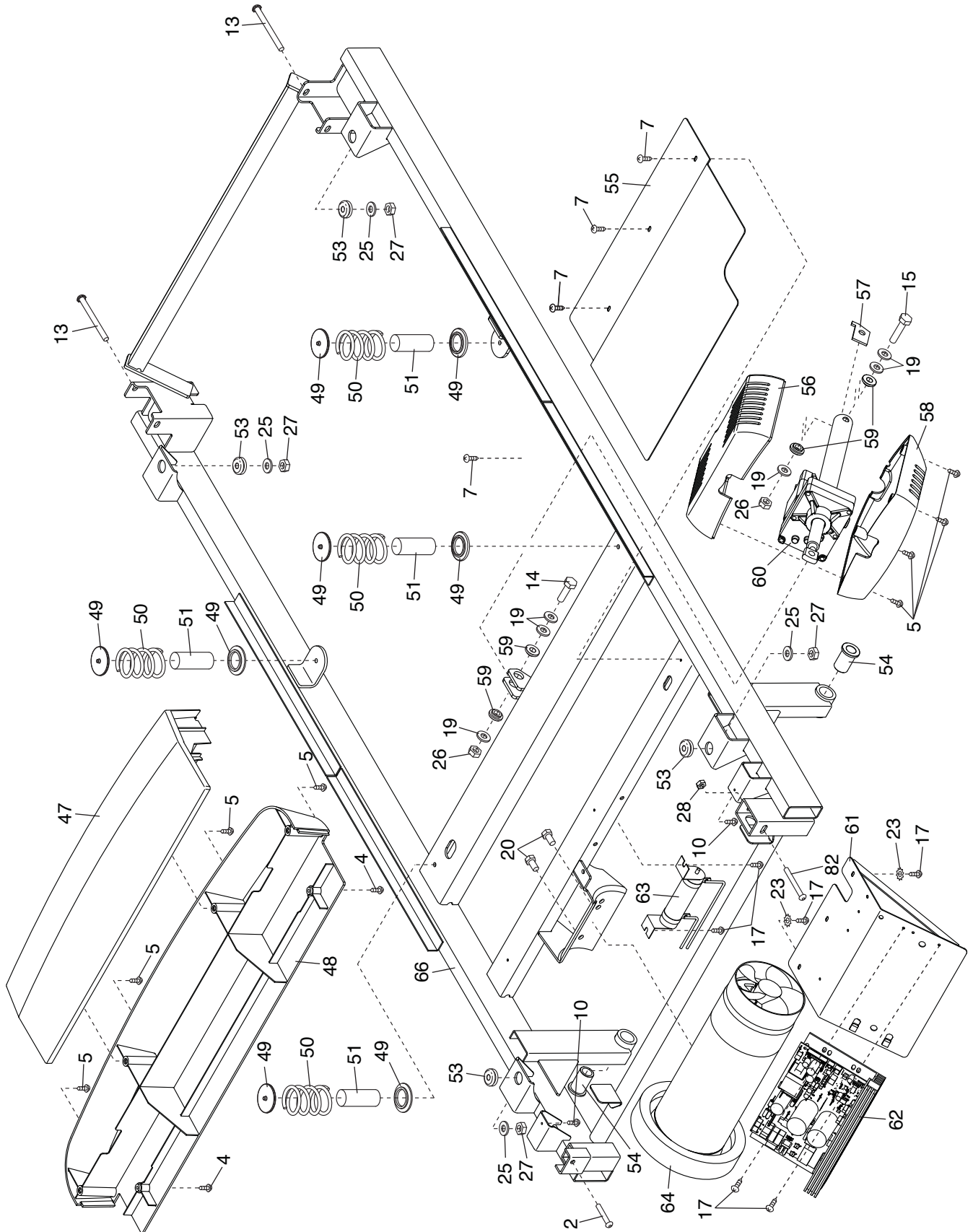
# EXPLODED DRAWING A

Model No. NTL24016.1 R0617A



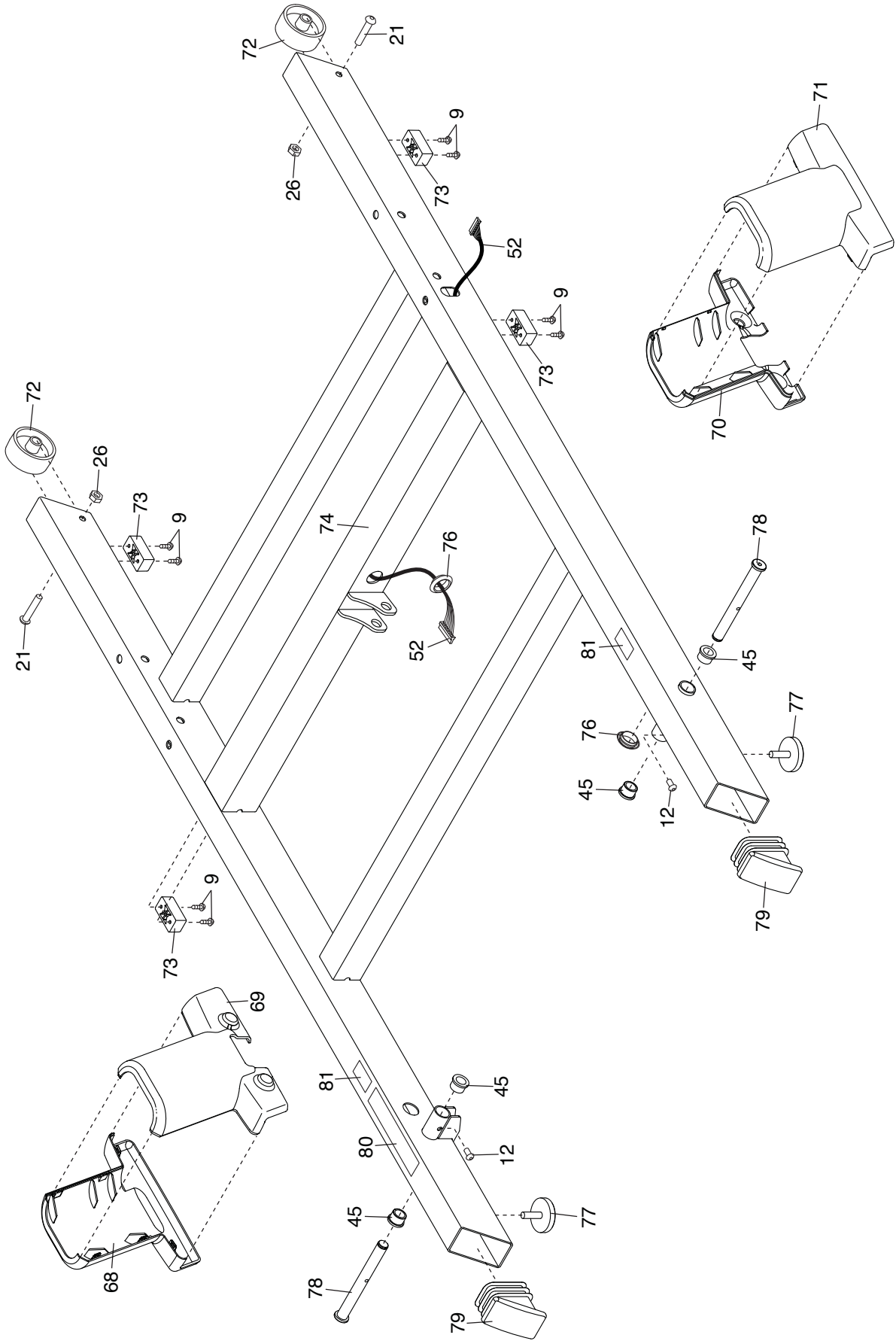
# EXPLODED DRAWING B

Model No. NTL24016.1 R0617A



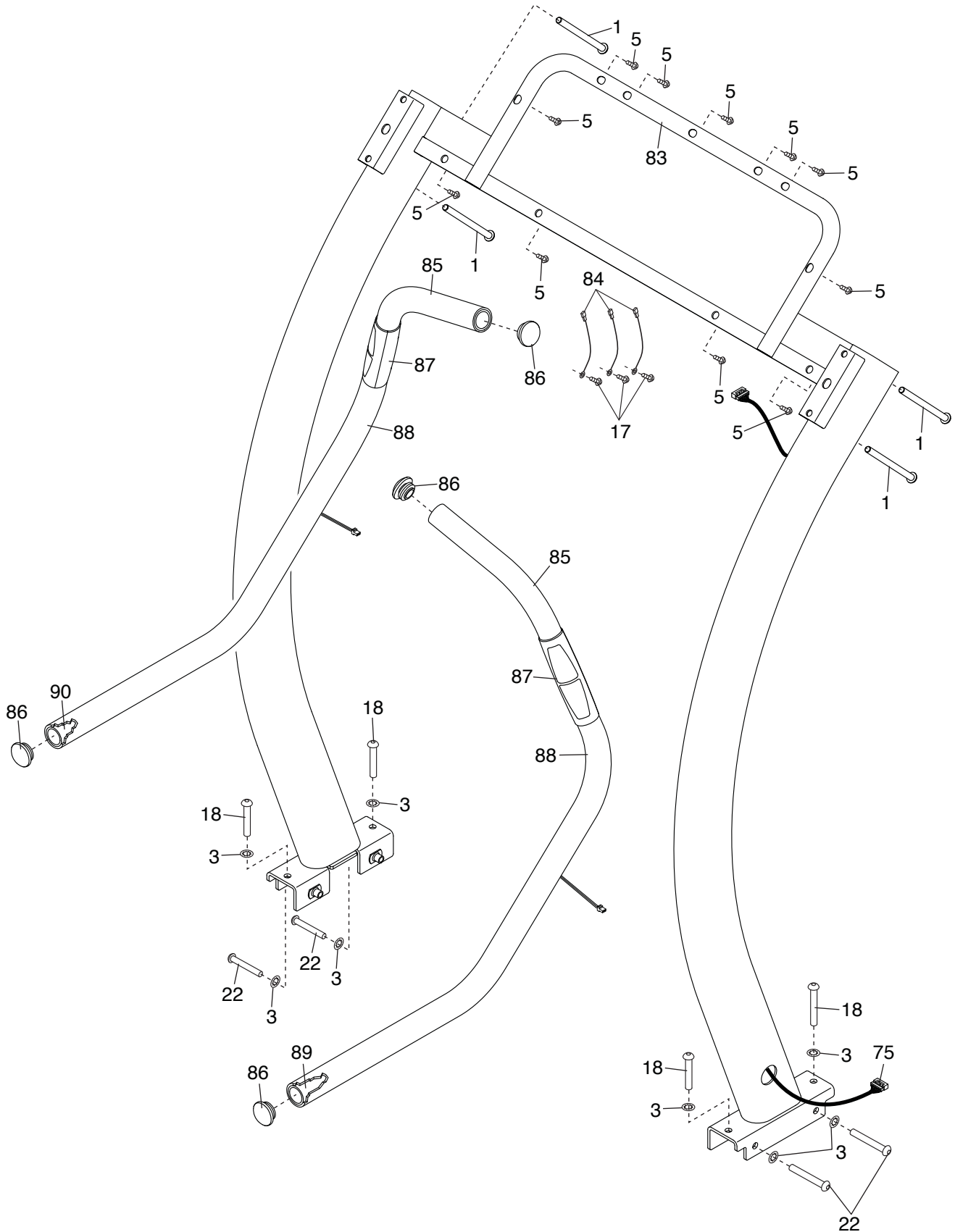
# EXPLODED DRAWING C

Model No. NTL24016.1 R0617A



# EXPLODED DRAWING D

Model No. NTL24016.1 R0617A



# EXPLODED DRAWING E

Model No. NTL24016.1 R0617A

