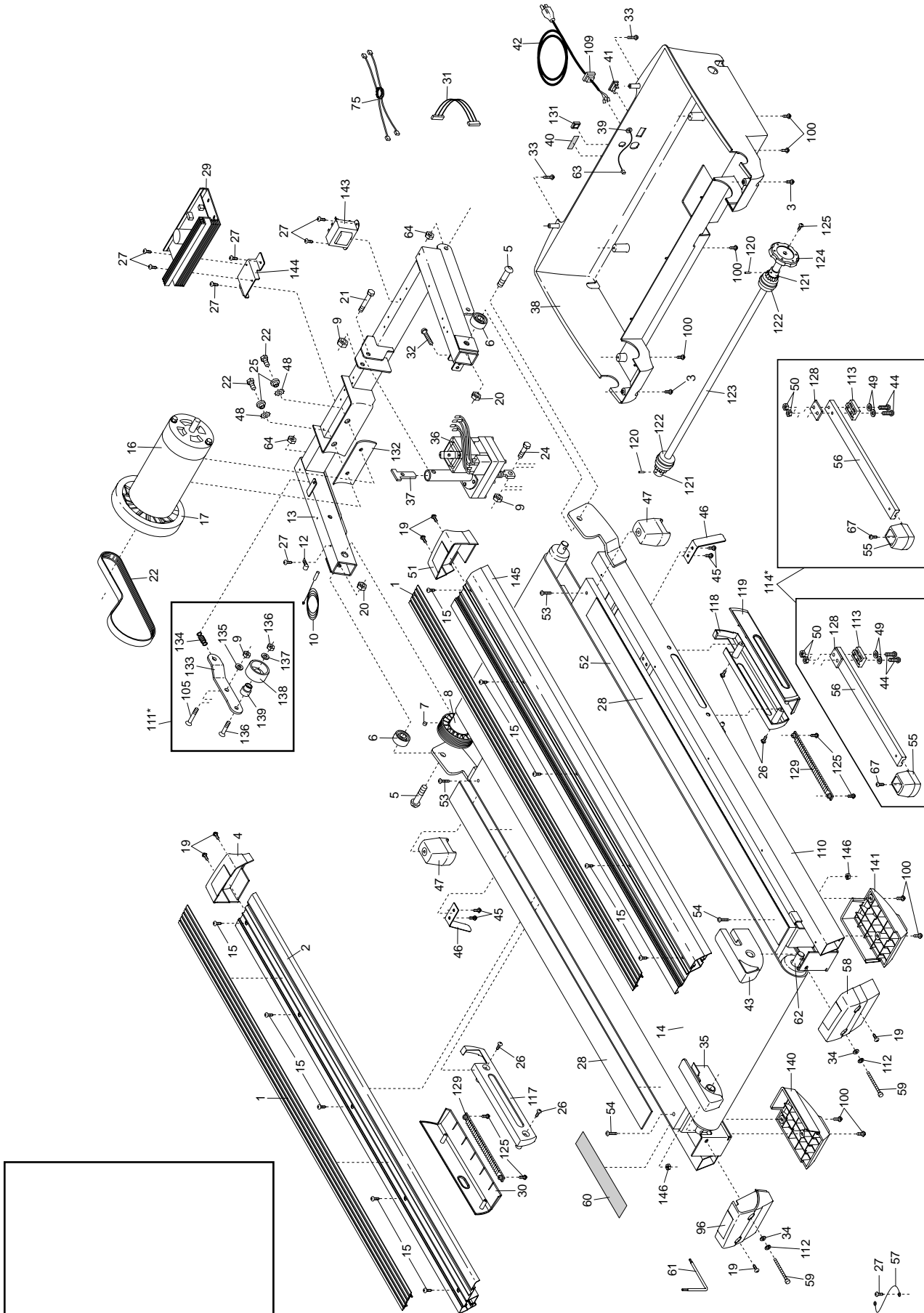


EXPLODED DRAWING—Model No. NTL24820

R0103A



EXPLODED DRAWING—Model No. NTL24820

R0103A

