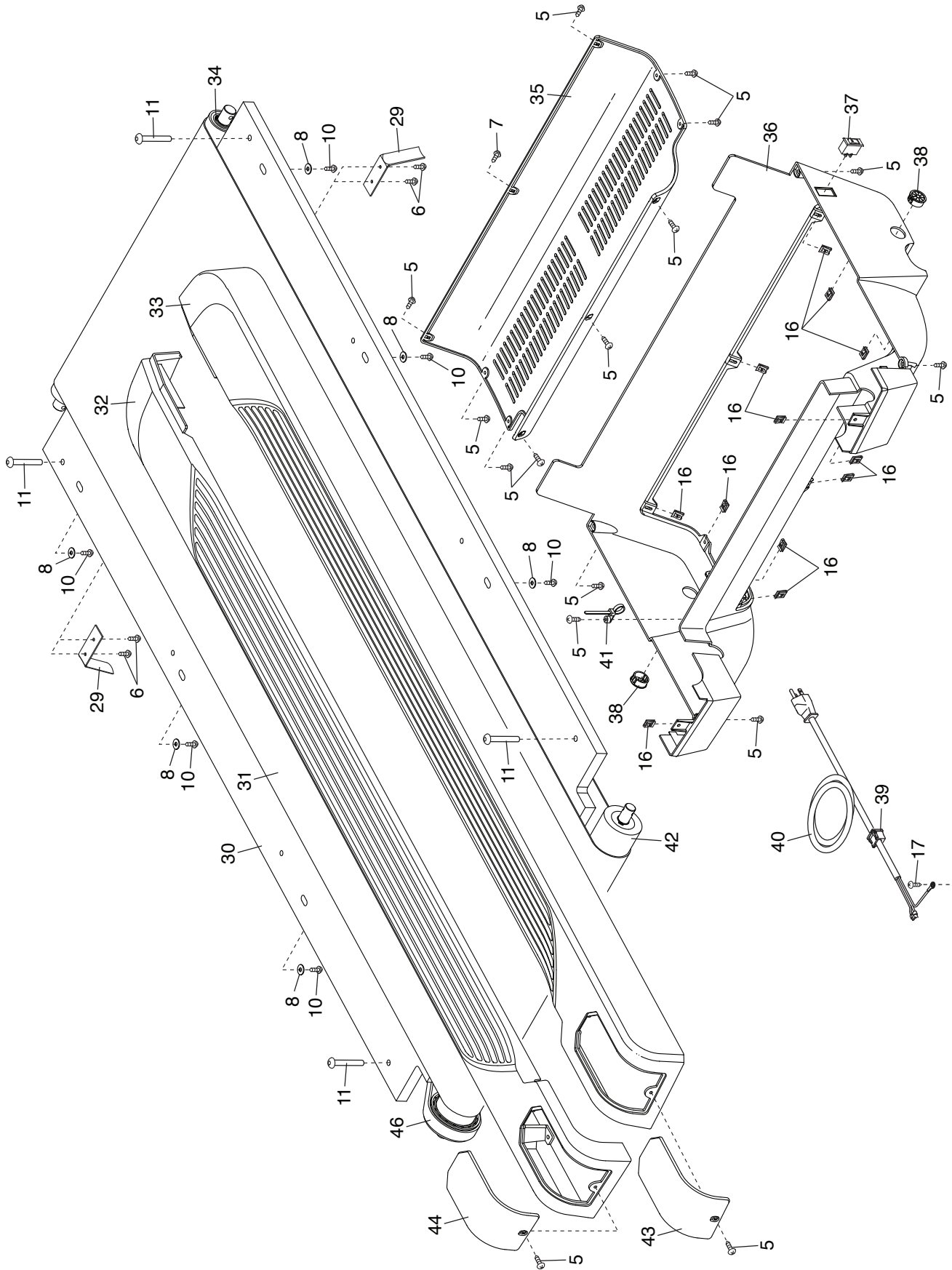


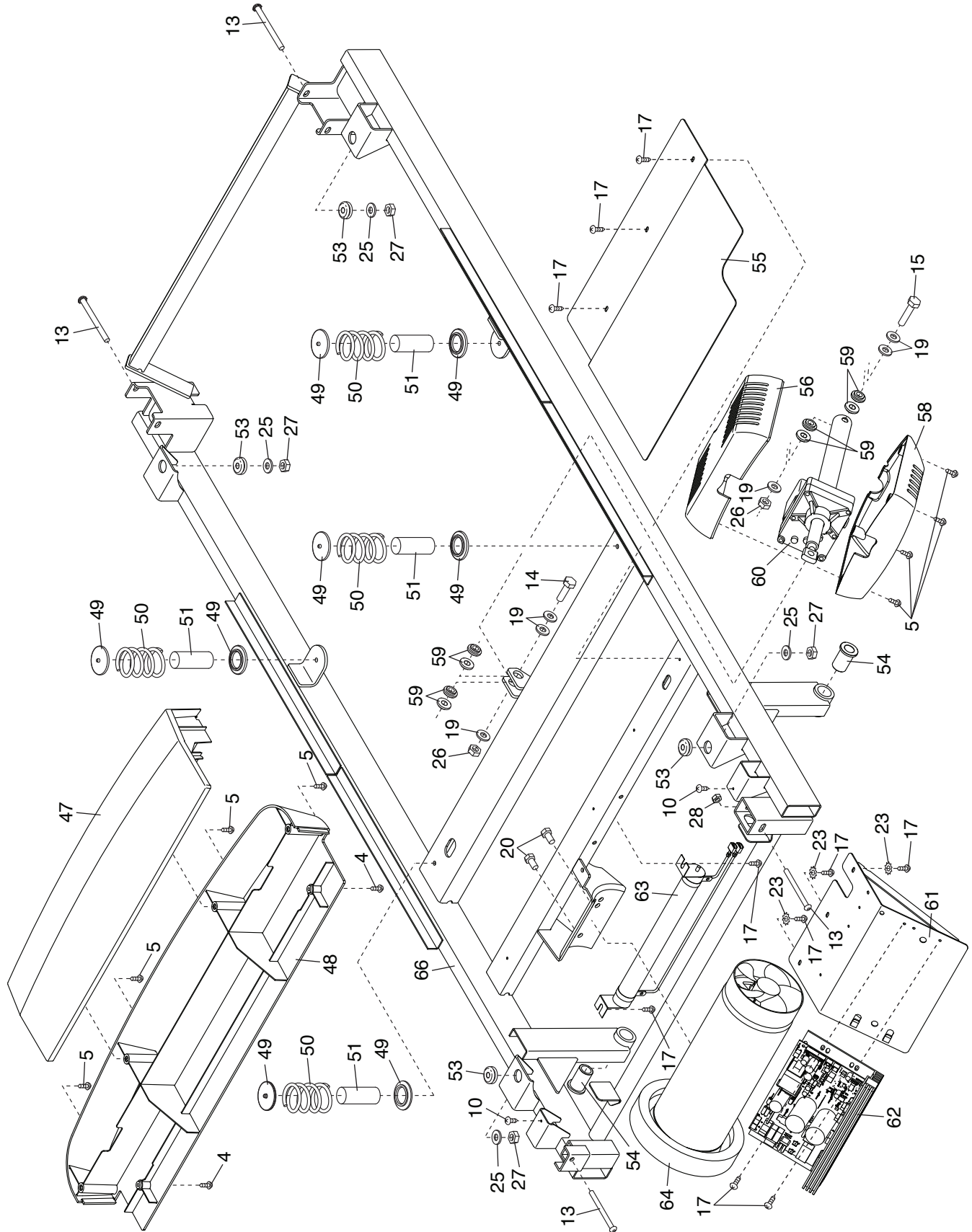
EXPLODED DRAWING A

Model No. NTL29019.1 R0519A



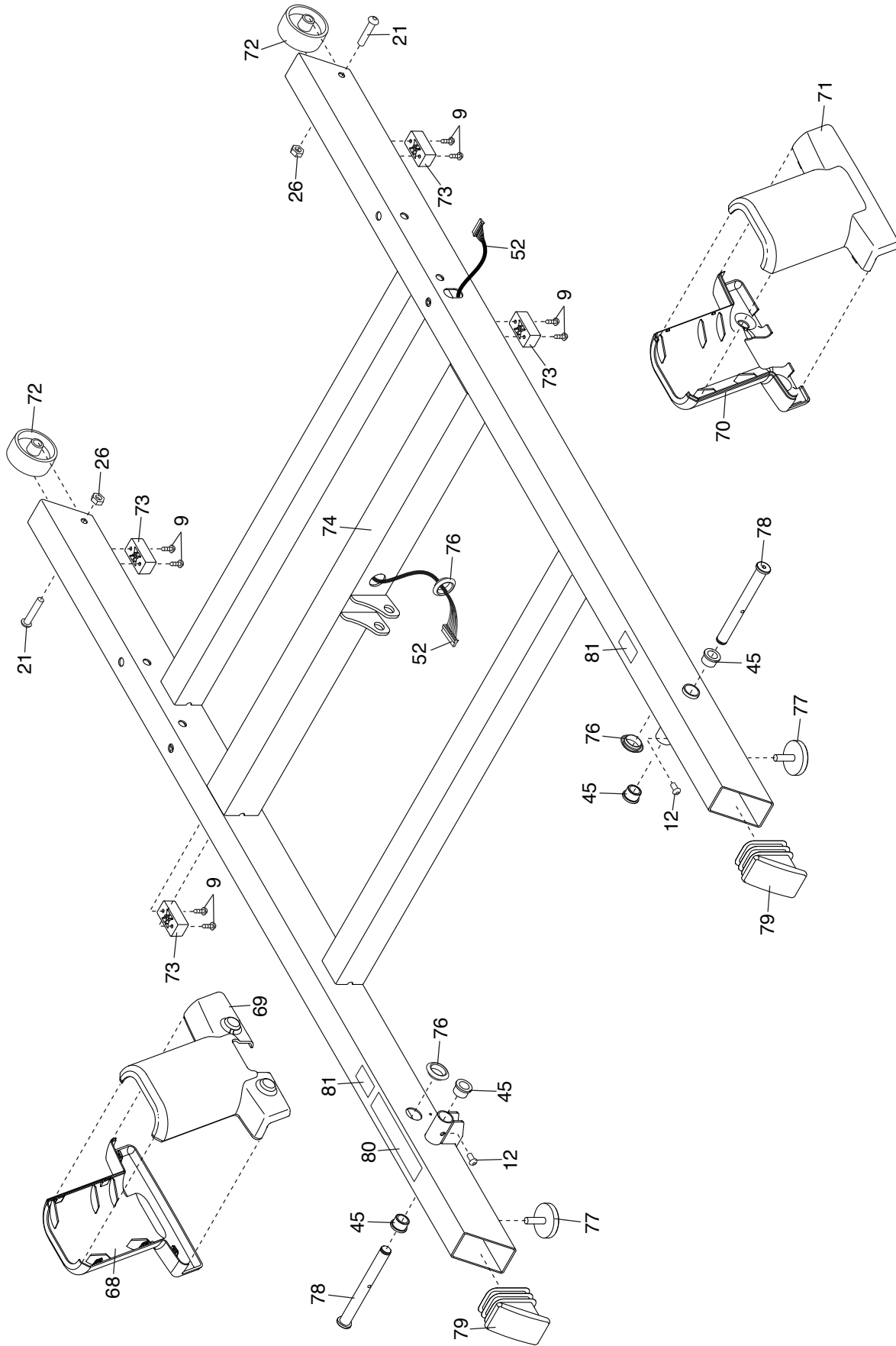
EXPLODED DRAWING B

Model No. NTL29019.1 R0519A



EXPLODED DRAWING C

Model No. NTL29019.1 R0519A



EXPLODED DRAWING E

Model No. NTL29019.1 R0519A

