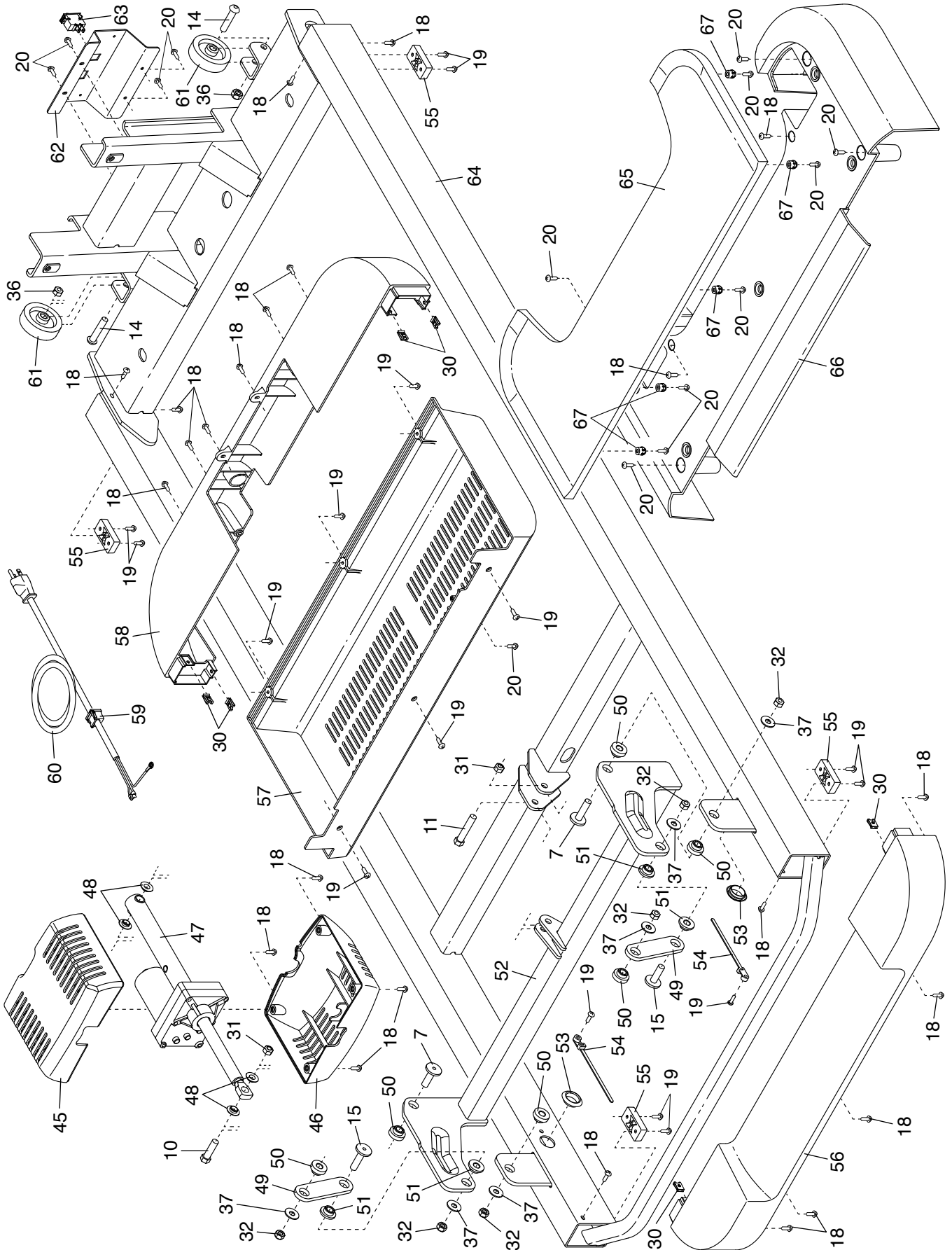


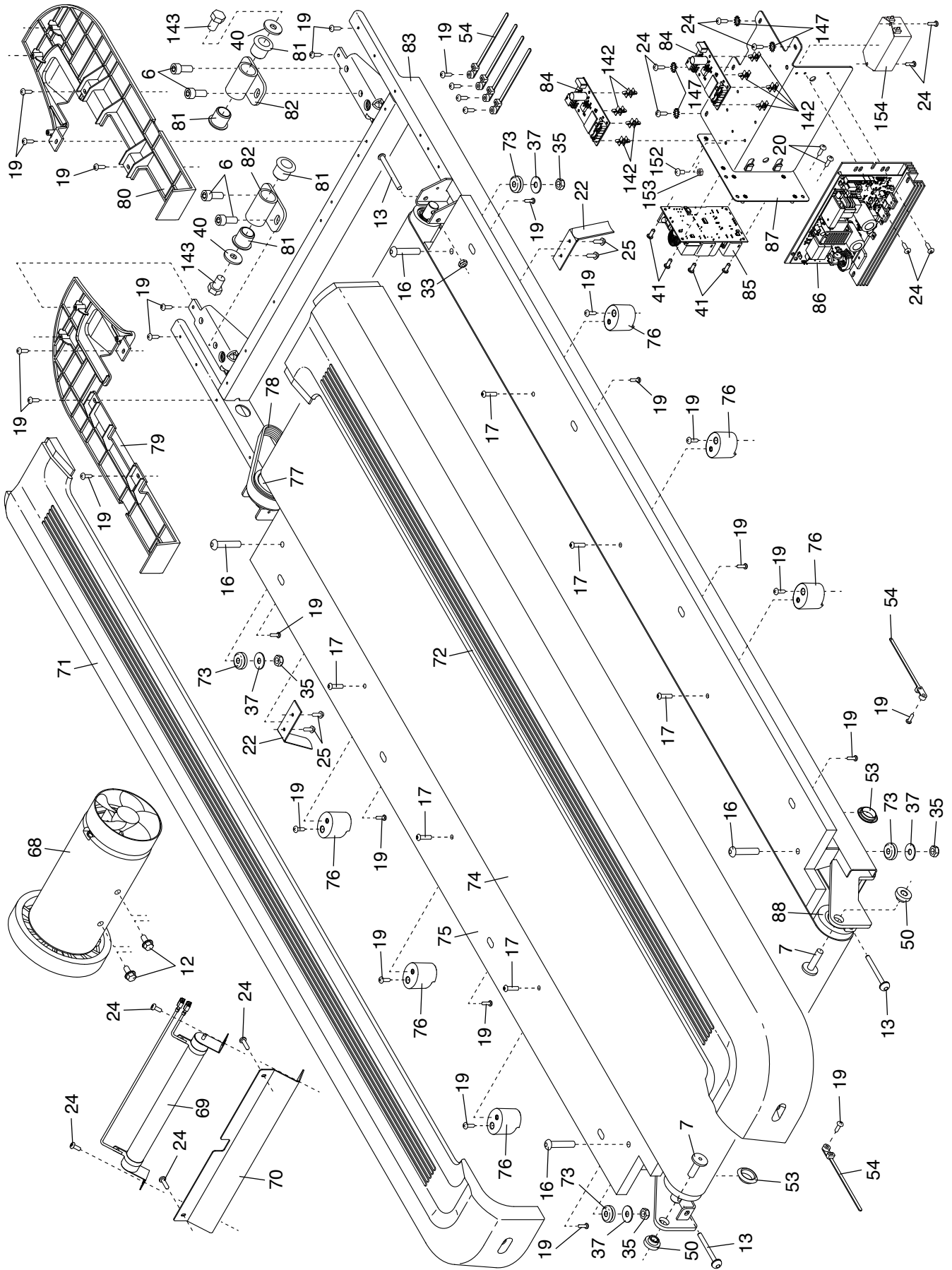
# EXPLODED DRAWING A

Model No. NTL29222.0 R0522A



# EXPLODED DRAWING B

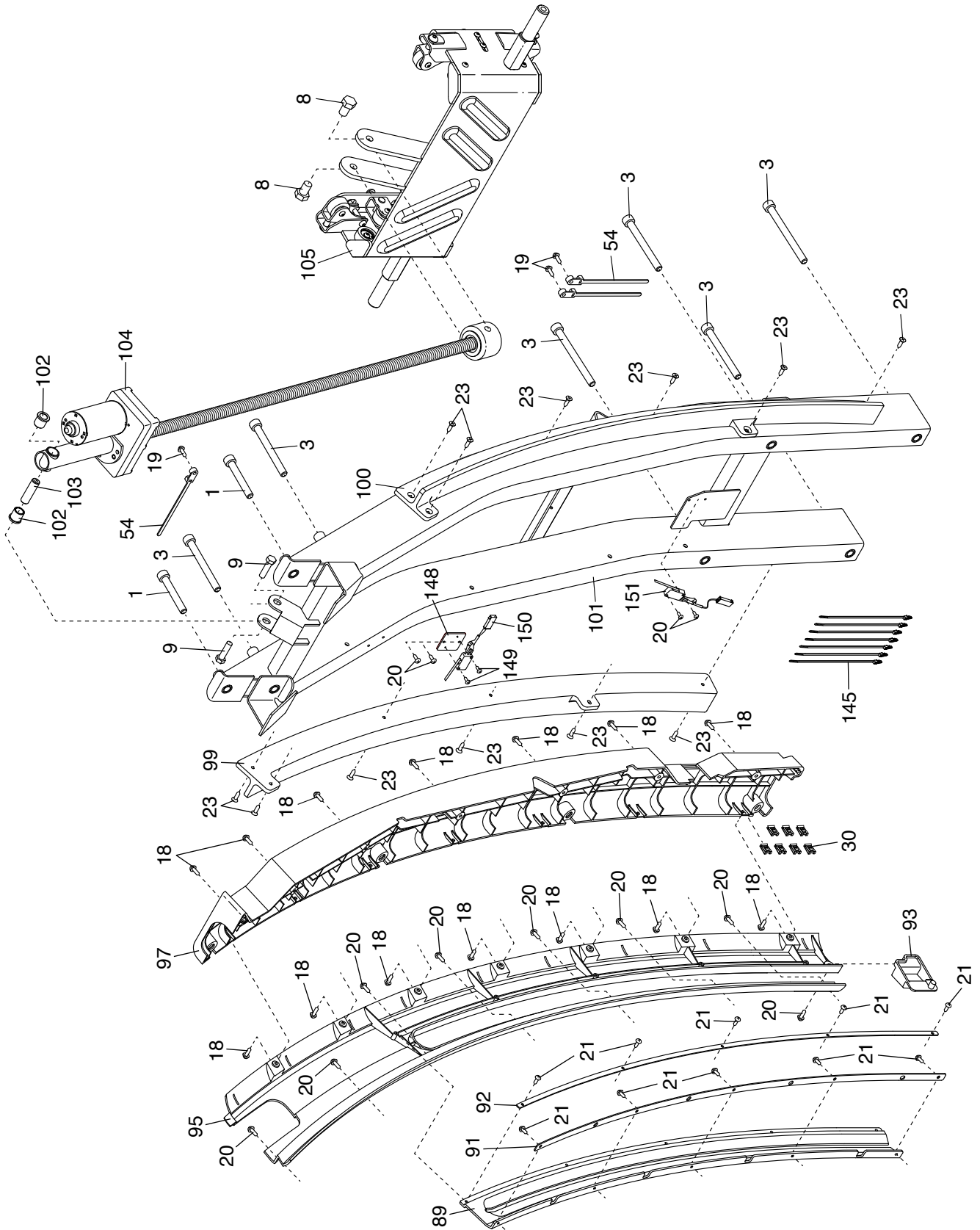
Model No. NTL29222.0 R0522A



39

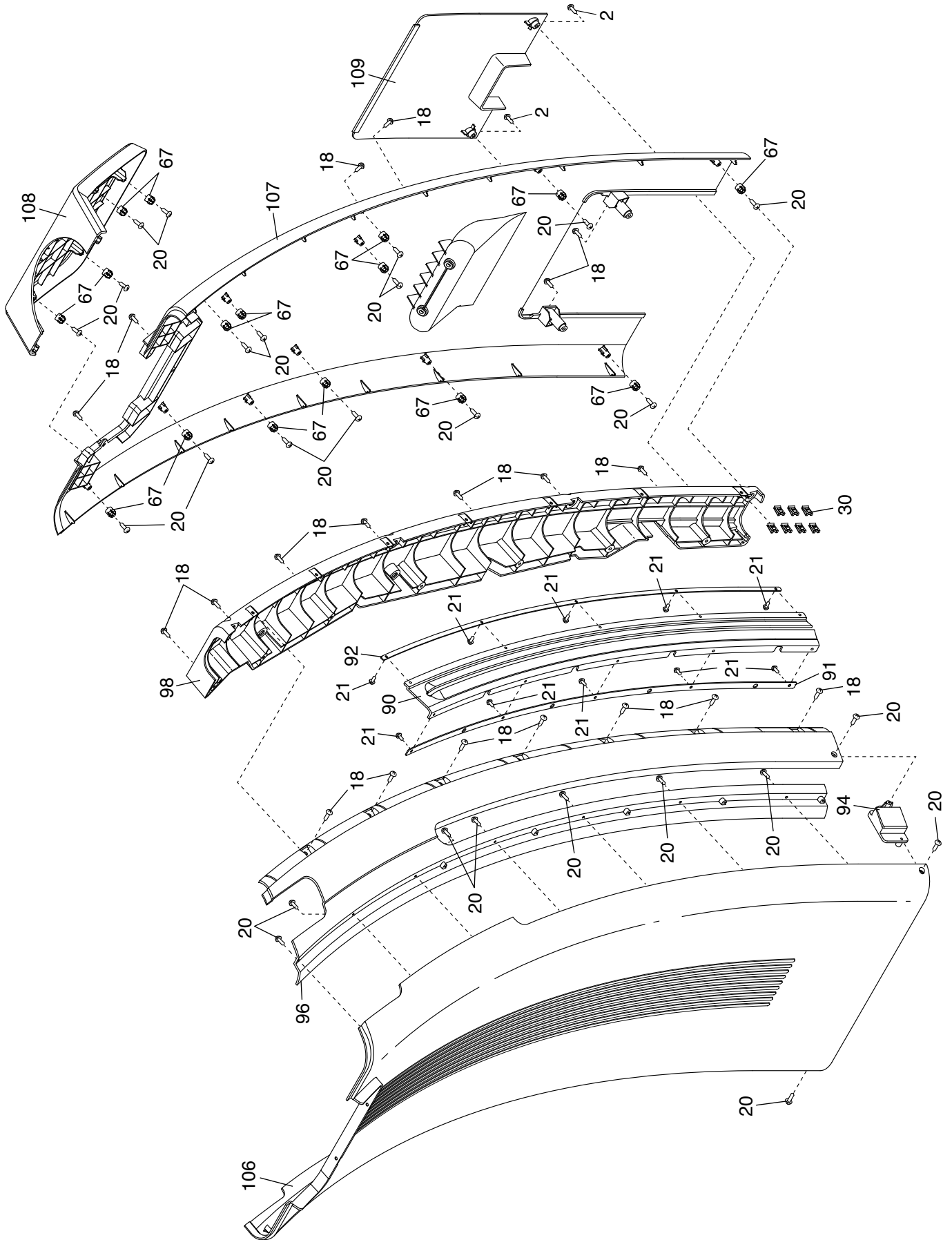
# EXPLODED DRAWING C

Model No. NTL29222.0 R0522A



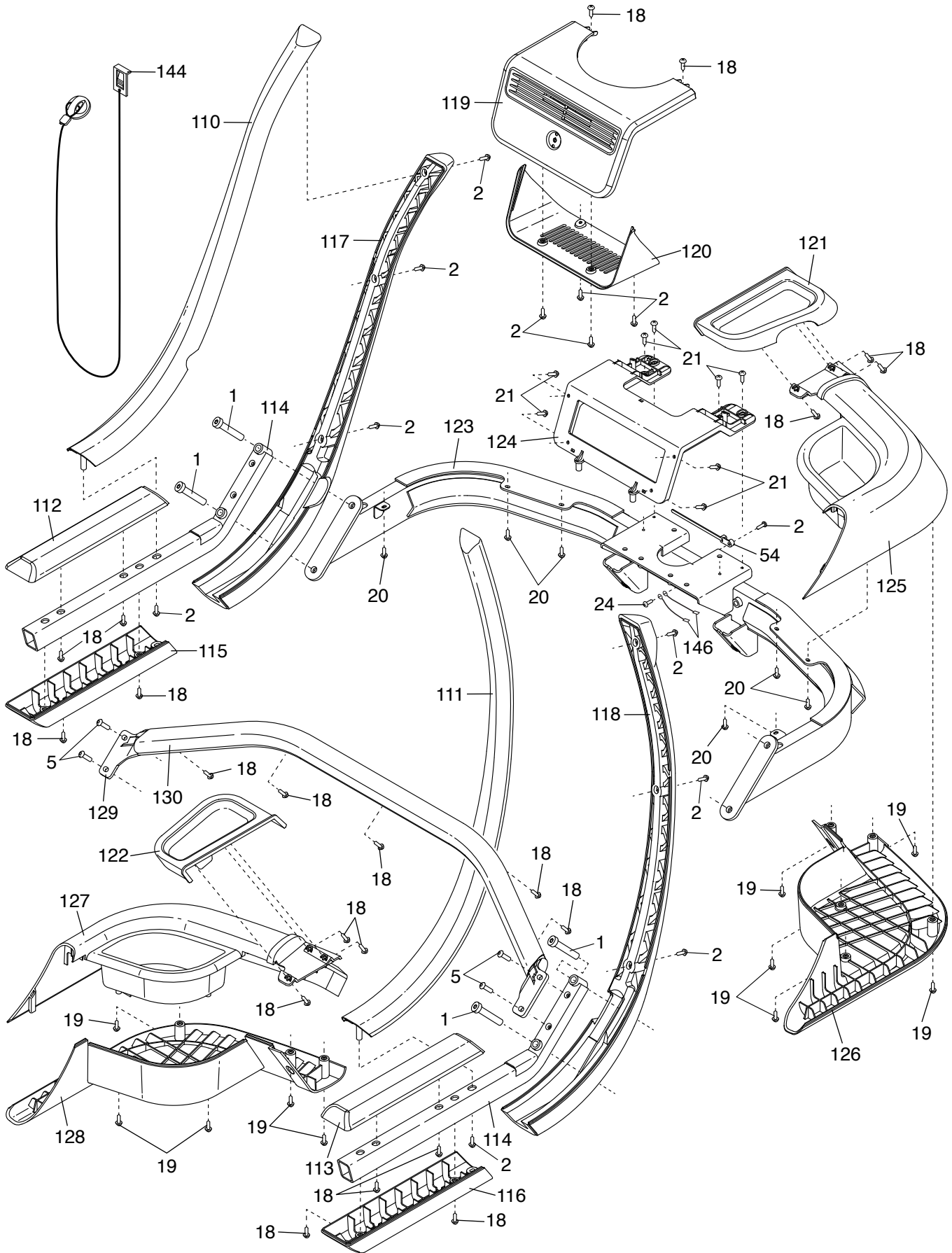
# EXPLODED DRAWING D

Model No. NTL29222.0 R0522A



# EXPLODED DRAWING E

Model No. NTL29222.0 R0522A



# EXPLODED DRAWING F

Model No. NTL29222.0 R0522A

