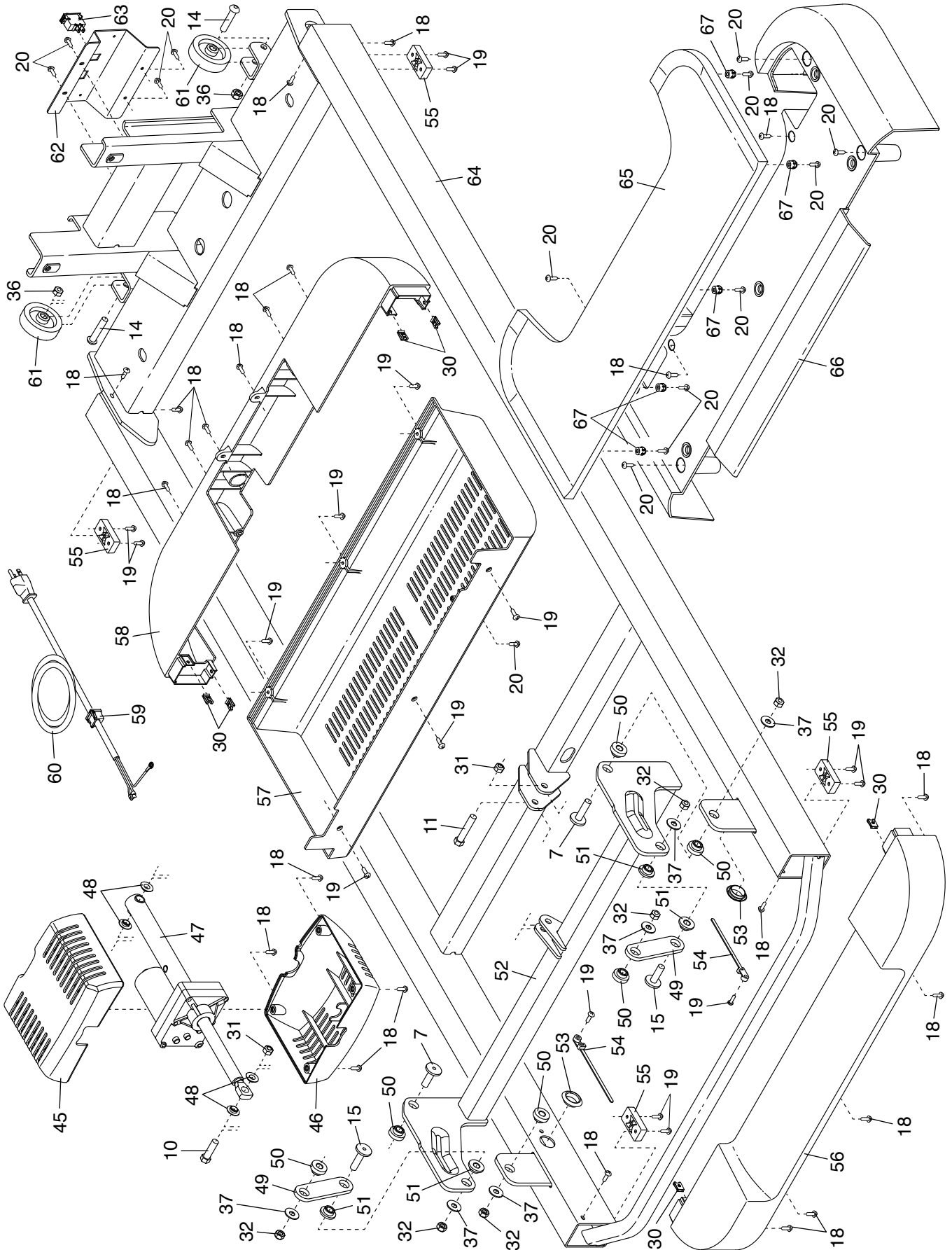


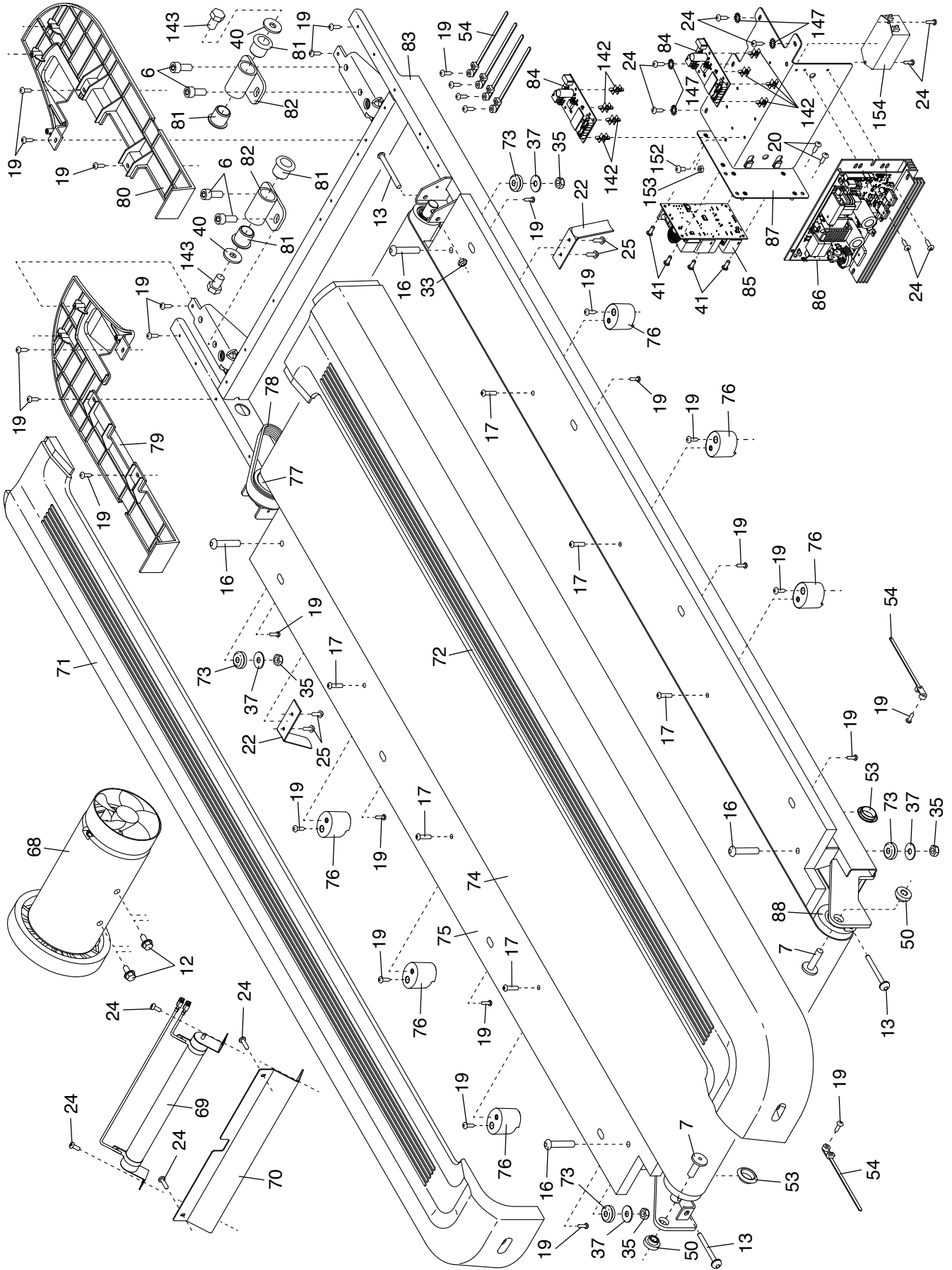
EXPLODED DRAWING A

Model No. NTL29222.2 R0922A



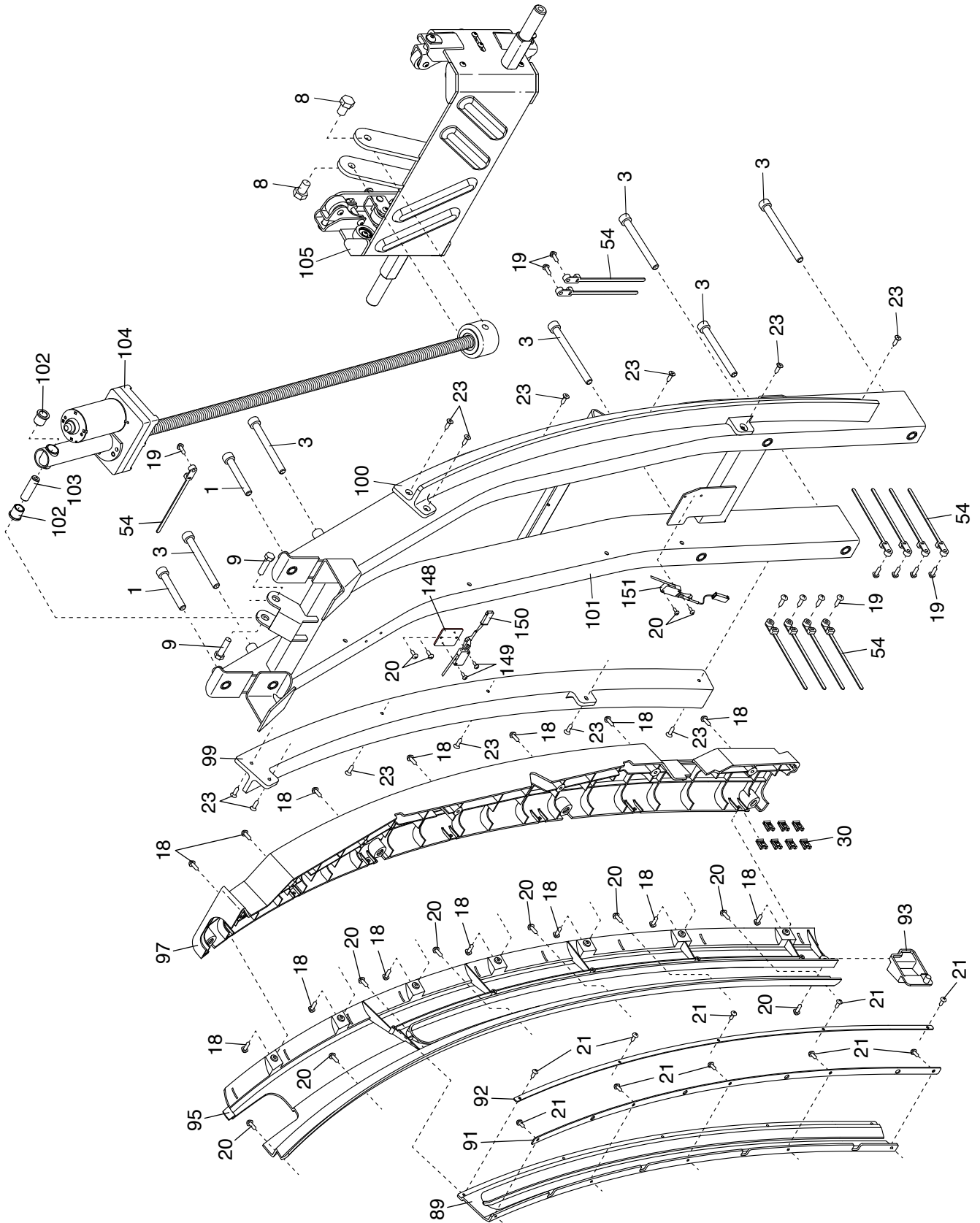
EXPLODED DRAWING B

Model No. NTL29222.2 R0922A



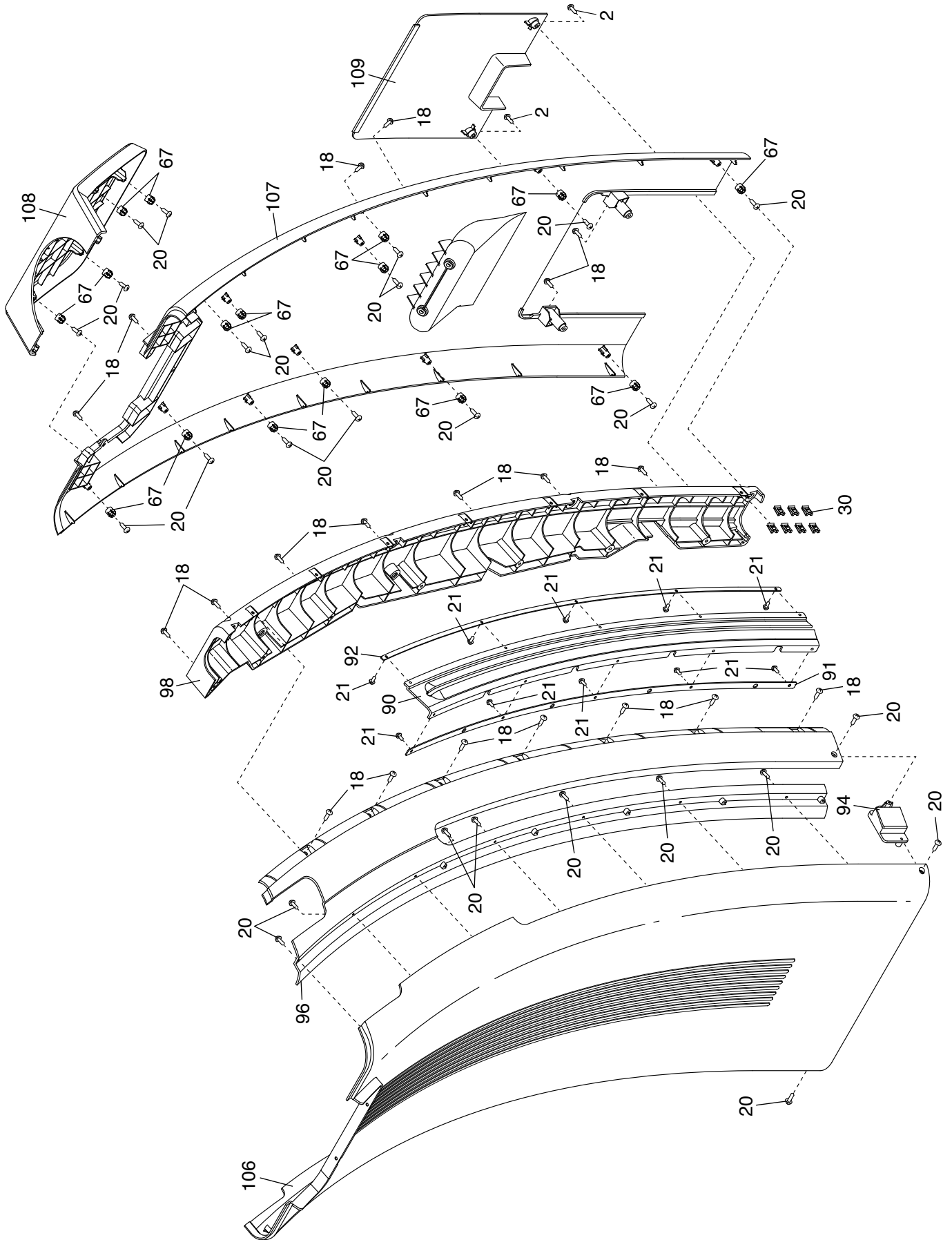
EXPLODED DRAWING C

Model No. NTL29222.2 R0922A



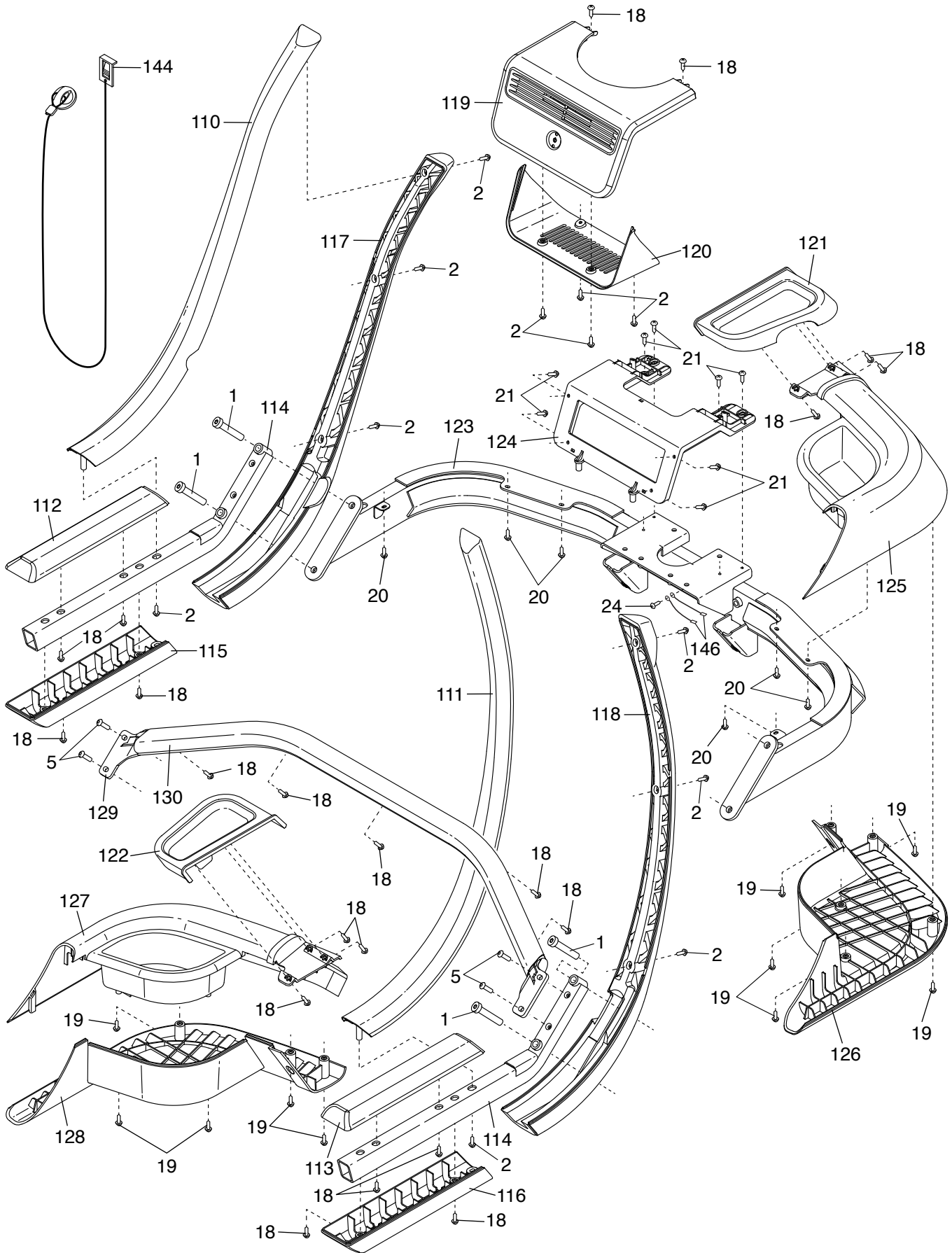
EXPLODED DRAWING D

Model No. NTL29222.2 R0922A



EXPLODED DRAWING E

Model No. NTL29222.2 R0922A



EXPLODED DRAWING F

Model No. NTL29222.2 R0922A

