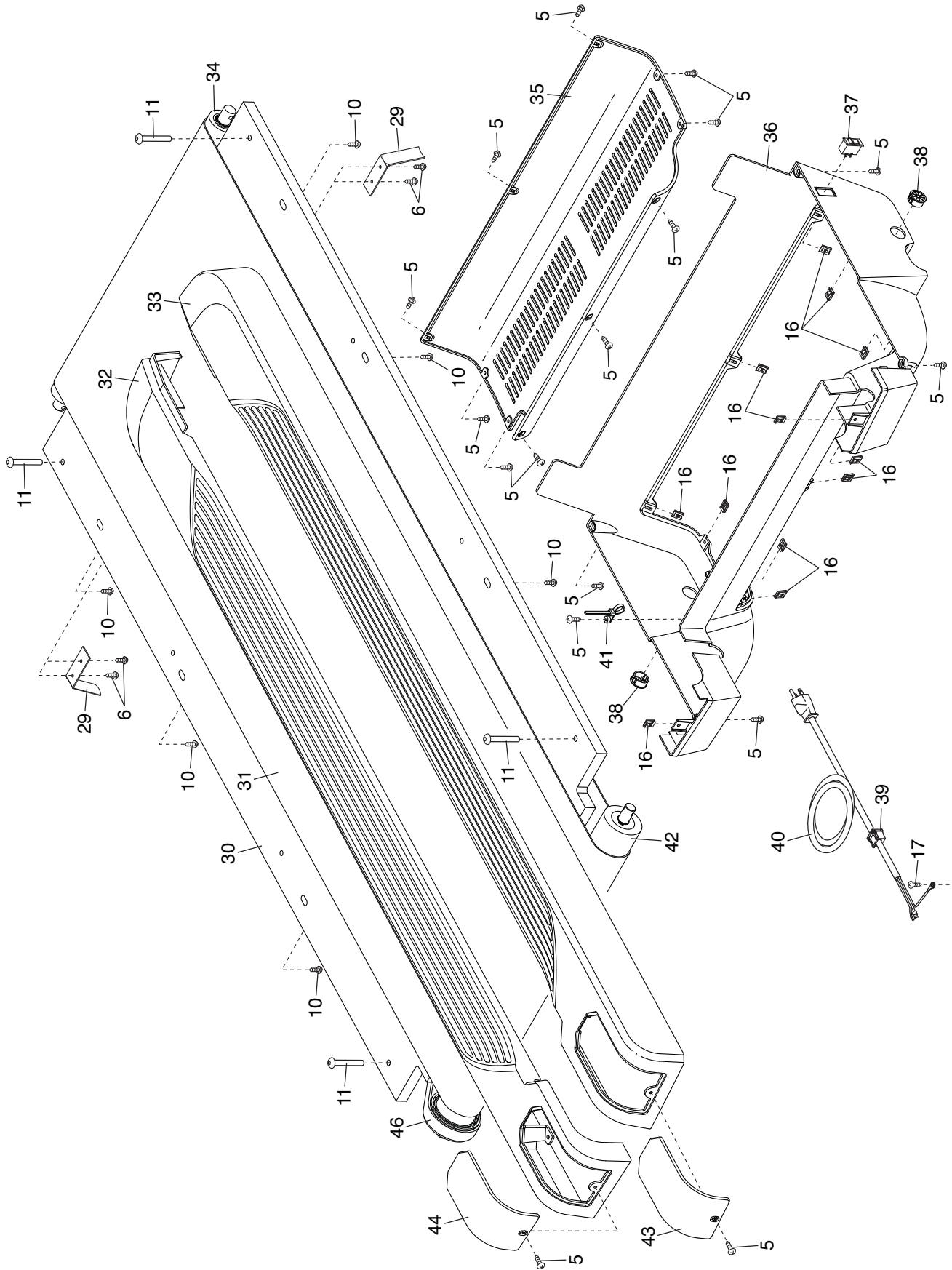


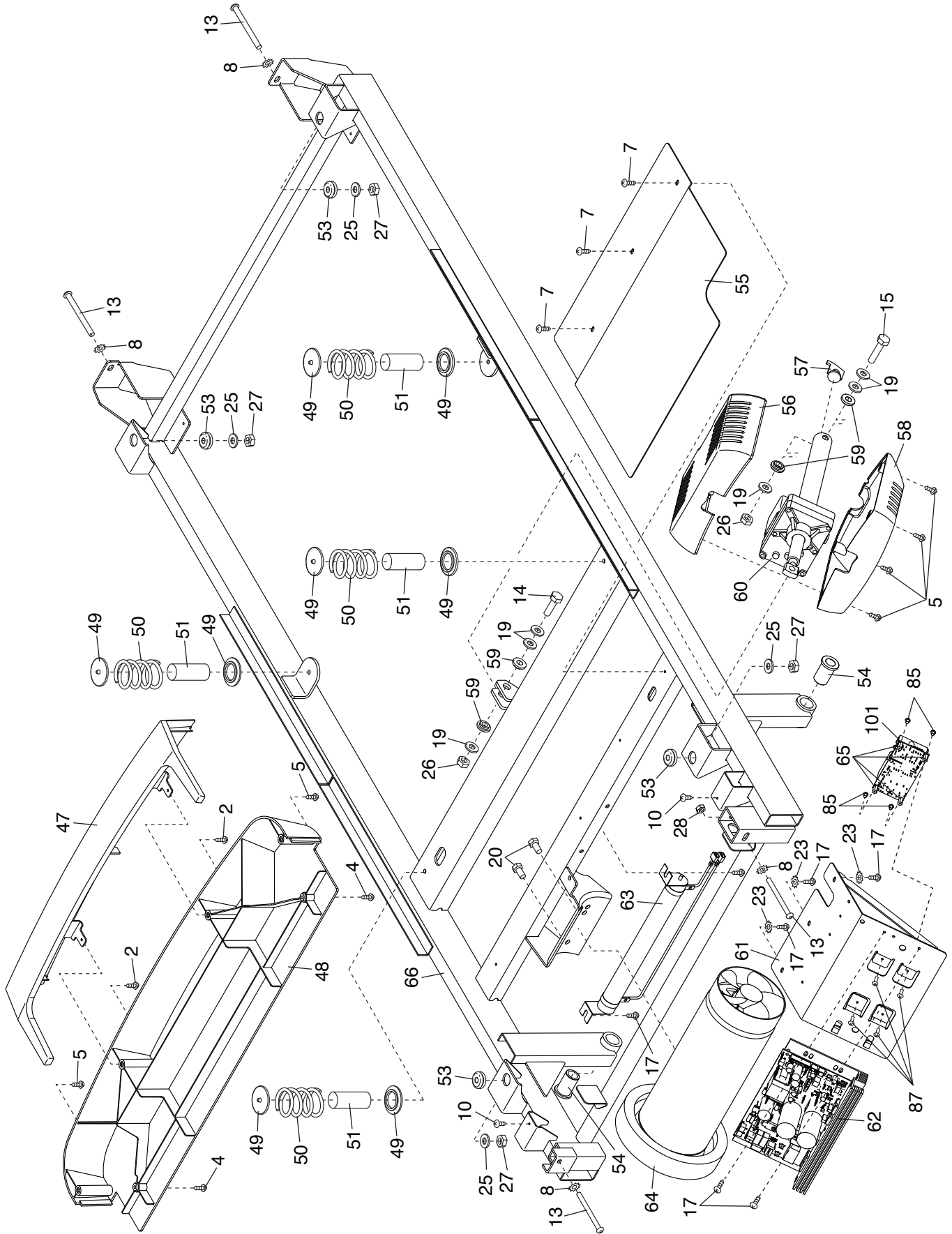
EXPLODED DRAWING A

Model No. NTL39019.0 R0119B



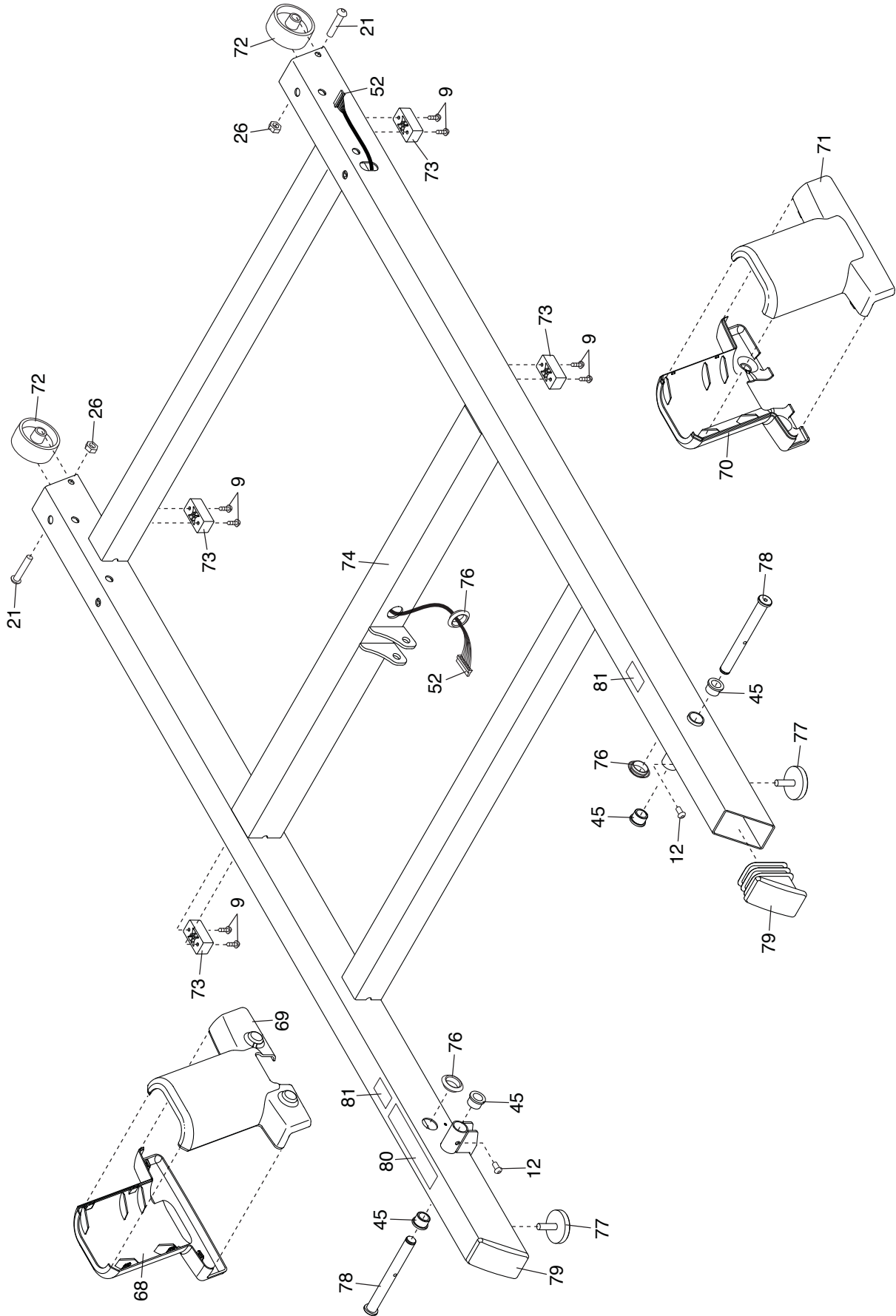
EXPLODED DRAWING B

Model No. NTL39019.0 R0119B



EXPLODED DRAWING C

Model No. NTL39019.0 R0119B



EXPLODED DRAWING E

Model No. NTL39019.0 R0119B

