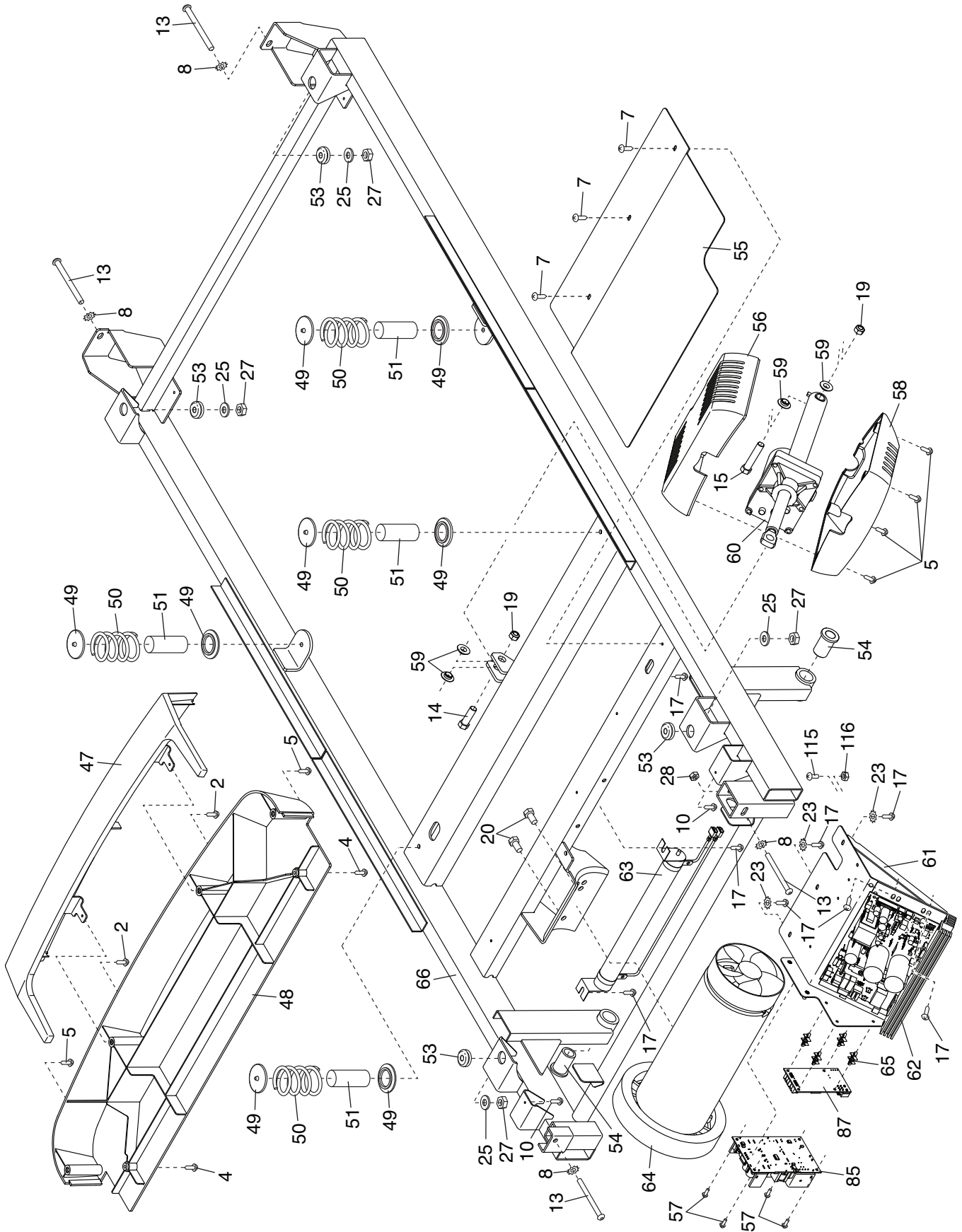




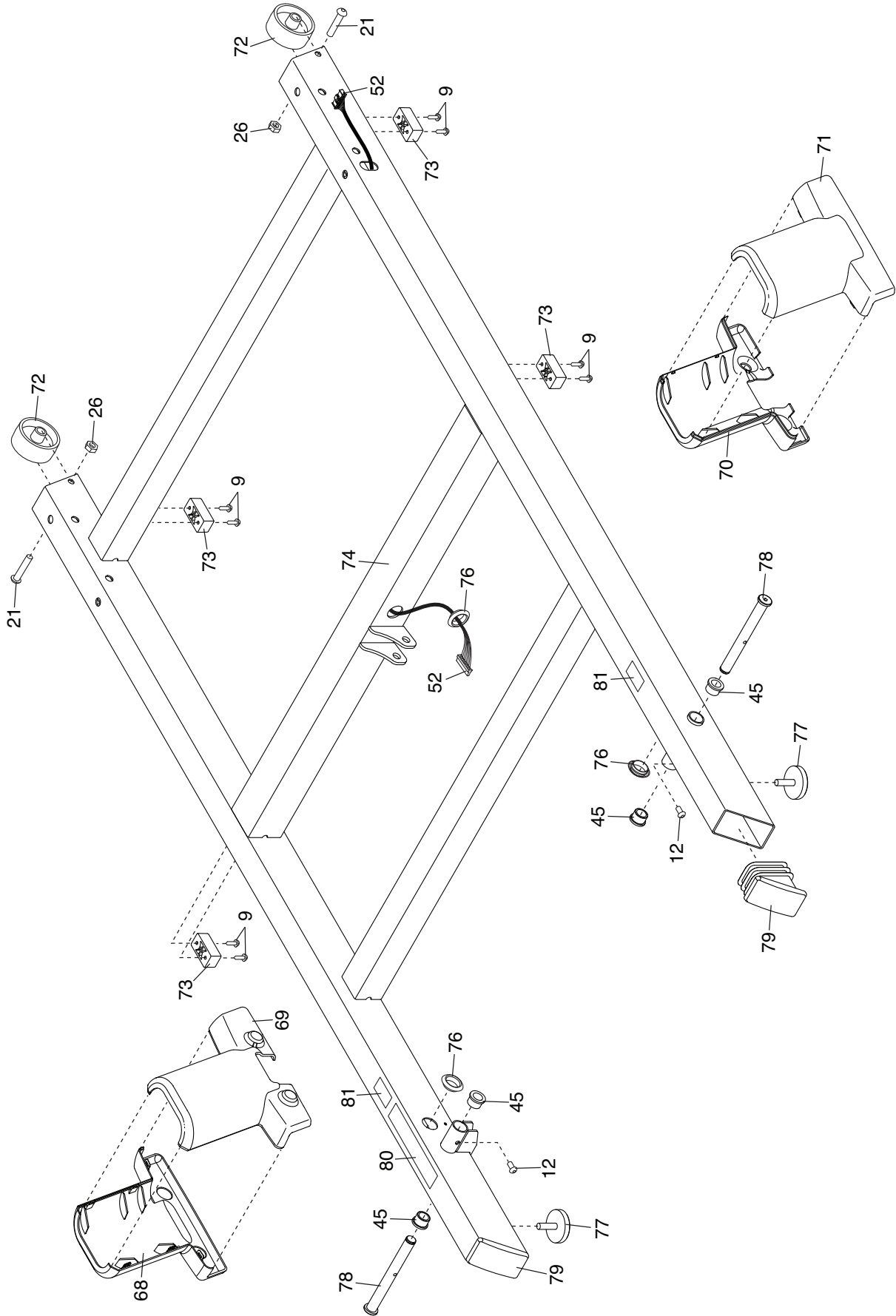
# EXPLODED DRAWING B

Model No. NTL39221.0 R1220A



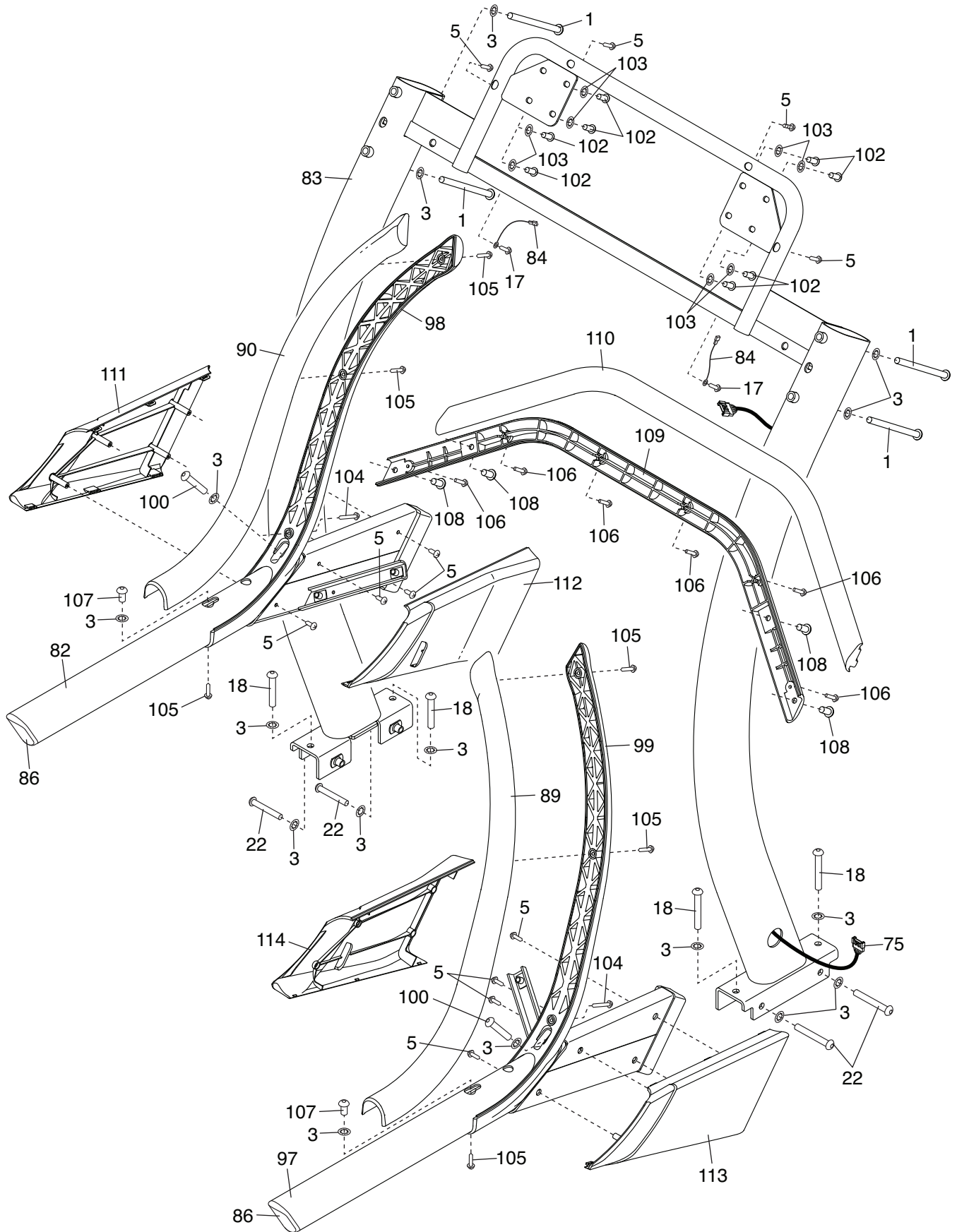
# EXPLODED DRAWING C

Model No. NTL39221.0 R1220A



# EXPLODED DRAWING D

Model No. NTL39221.0 R1220A



# EXPLODED DRAWING E

Model No. NTL39221.0 R1220A

