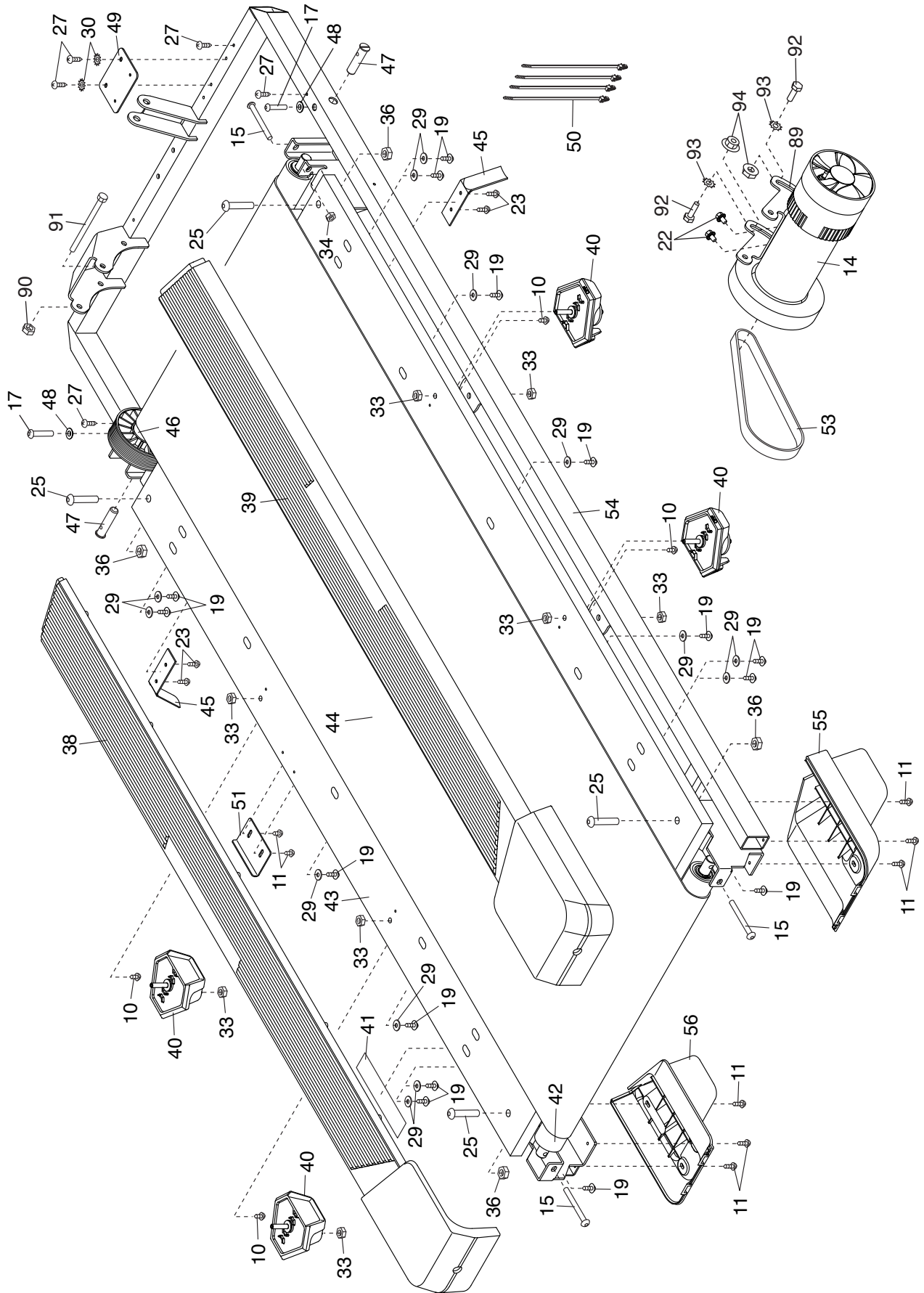


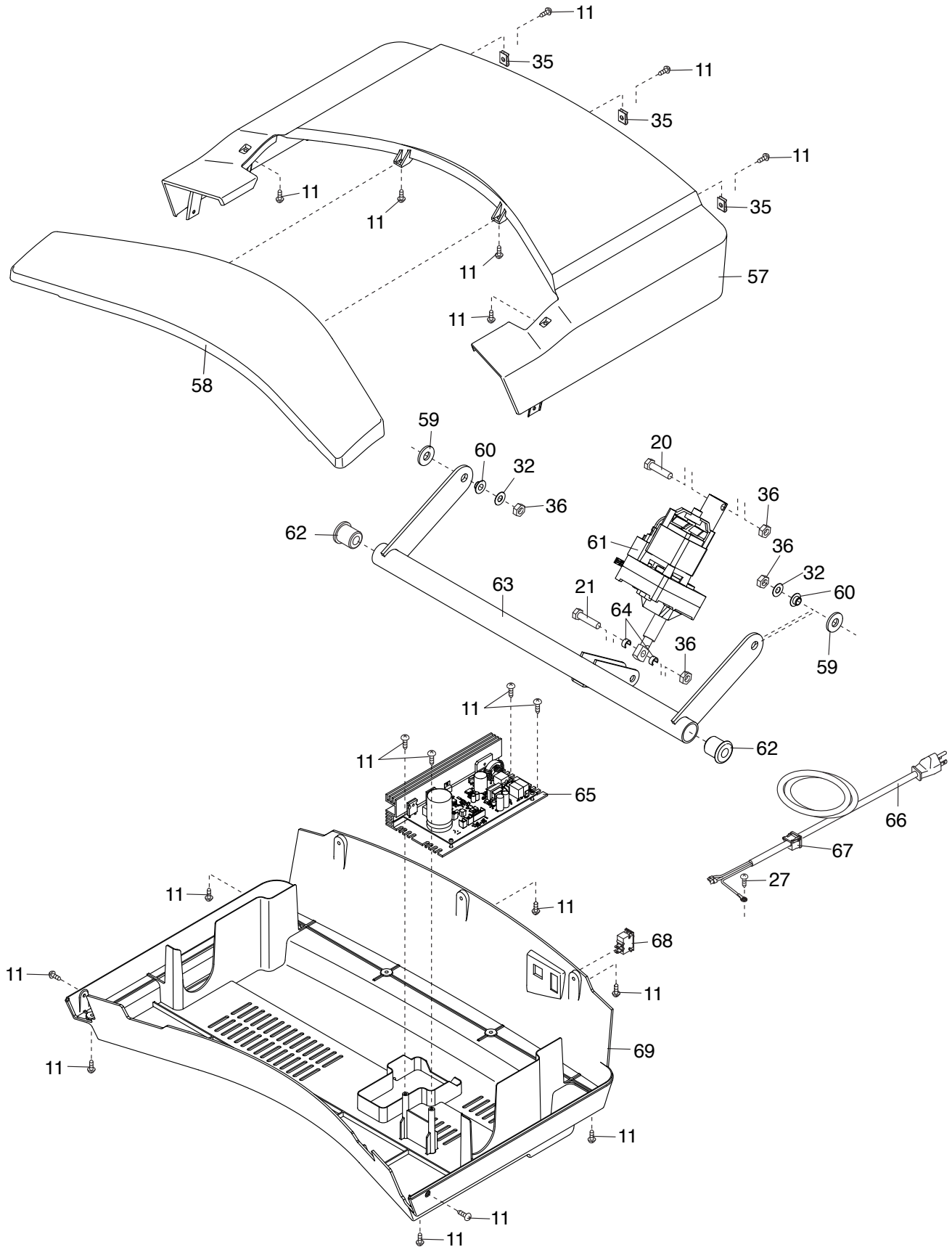
EXPLODED DRAWING A

Model No. NTL59619.0 R0919B



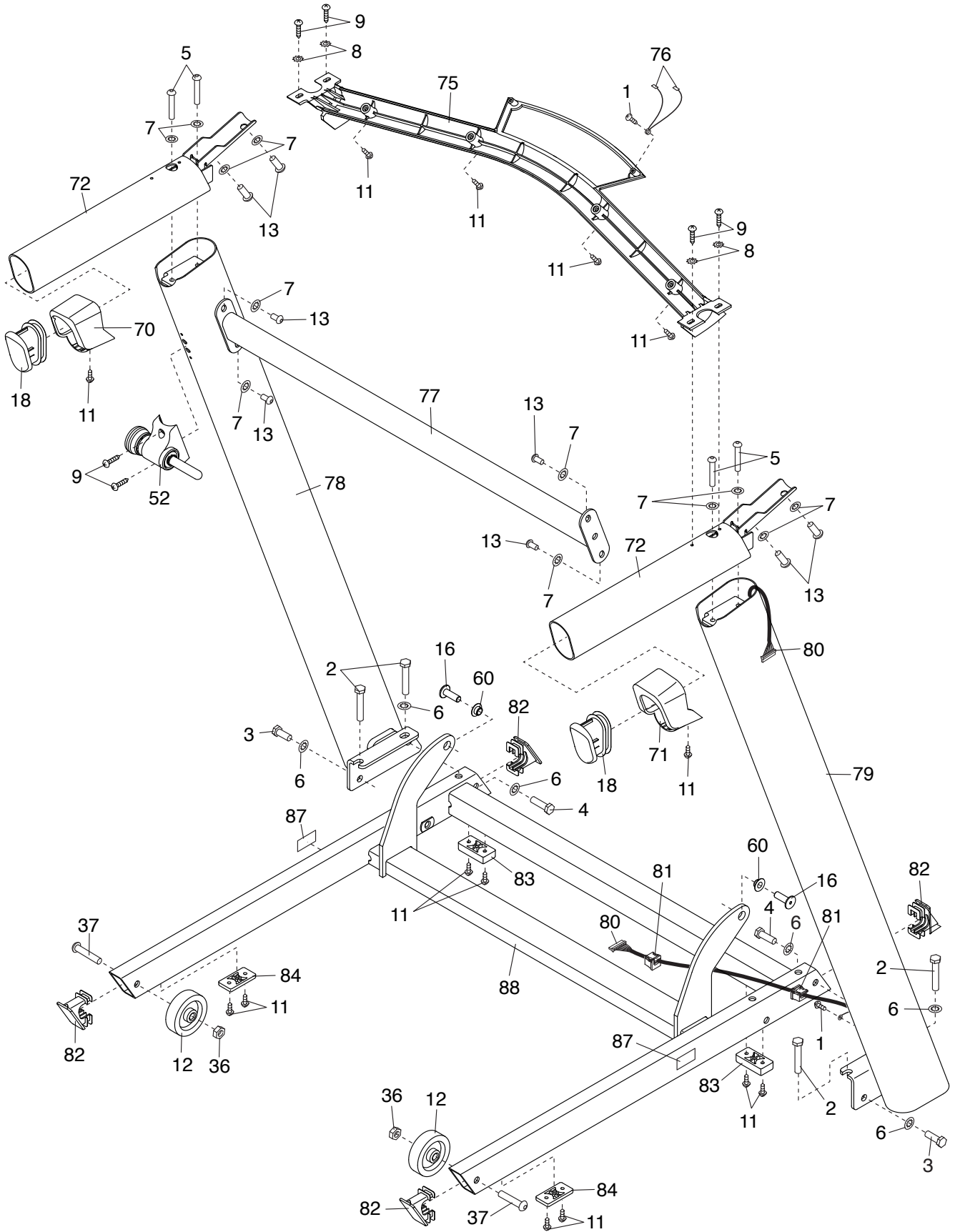
EXPLODED DRAWING B

Model No. NTL59619.0 R0919B



EXPLODED DRAWING C

Model No. NTL59619.0 R0919B



EXPLODED DRAWING D

Model No. NTL59619.0 R0919B

