

PART LIST

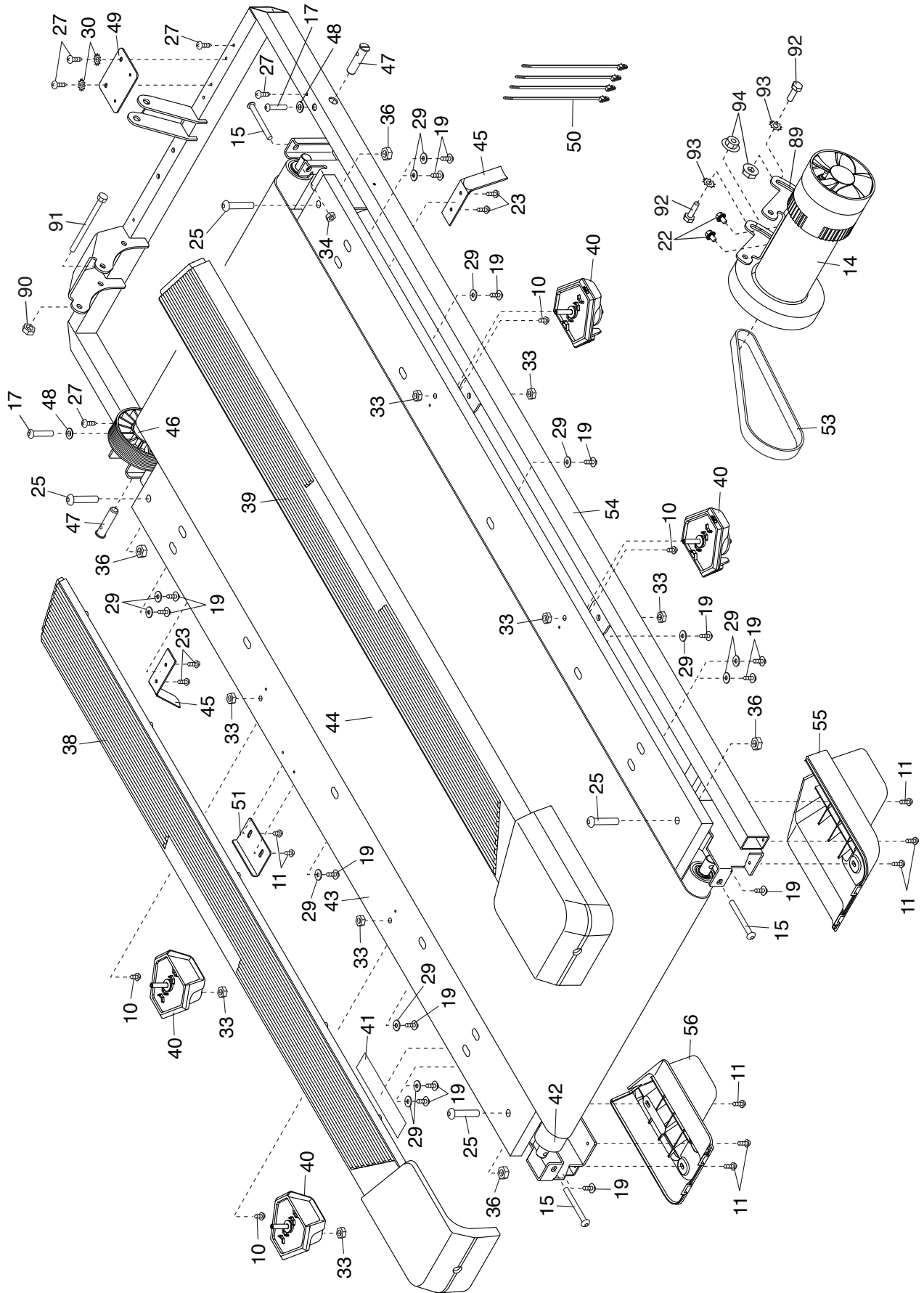
Model No. NTL59619.1 R0719A

Key No.	Qty.	Description	Key No.	Qty.	Description
1	2	#8 x 1/2" Ground Screw	49	1	Controller Plate
2	4	3/8" x 2 3/8" Screw	50	4	Plastic Tie
3	2	3/8" x 1 1/4" Screw	51	1	Latch Plate
4	2	3/8" x 1 1/2" Screw	52	1	Storage Latch
5	4	5/16" x 1 1/2" Screw	53	1	Motor Belt
6	6	3/8" Star Washer	54	1	Frame
7	12	5/16" Star Washer	55	1	Right Rear Foot
8	4	#10 Star Washer	56	1	Left Rear Foot
9	6	#10 x 3/4" Screw	57	1	Motor Hood
10	12	#8 x 1/2" Screw	58	1	Hood Accent
11	54	#8 x 3/4" Screw	59	2	Incline Frame Spacer
12	2	Wheel	60	4	3/8" Plastic Bushing
13	8	5/16" x 3/4" Screw	61	1	Incline Motor
14	1	Drive Motor	62	2	Frame Spacer
15	3	M6 x 55mm Screw	63	1	Incline Frame
16	2	3/8" x 1 1/8" Screw	64	2	Incline Motor Spacer
17	2	1/4" x 1 1/4" Screw	65	1	Controller
18	2	Handrail Cap	66	1	Power Cord
19	15	#8 x 5/8" Screw	67	1	Power Cord Grommet
20	1	3/8" x 1 3/4" Bolt	68	1	Power Switch
21	1	3/8" x 1 1/2" Bolt	69	1	Belly Pan
22	2	1/4" x 3/8" Screw	70	1	Left Handrail Cover
23	4	#8 x 7/16" Screw	71	1	Right Handrail Cover
24	2	Wire Tie	72	2	Handrail
25	4	3/8" x 1 1/2" Bolt	73	1	Console Frame
26	1	Key/Clip	74	1	Console Base
27	6	#8 x 1/2" Washer Head Screw	75	1	Pulse Crossbar
28	6	#8 x 1" Screw	76	2	Console Ground Wire
29	13	7/32" Washer	77	1	Upright Crossbar
30	2	#8 Star Washer	78	1	Left Upright
31	1	Console	79	1	Right Upright
32	2	3/8" Thrust Washer	80	1	Upright Wire
33	8	1/4" Jam Nut	81	2	Grommet
34	1	M6 Nut	82	4	Base Cap
35	3	#8 Clip	83	2	Front Base Pad
36	10	3/8" Jam Nut	84	2	Base Pad
37	2	3/8" x 2 1/2" Bolt	85	1	Left Tray
38	1	Left Foot Rail	86	1	Right Tray
39	1	Right Foot Rail	87	2	Warning Decal
40	4	Platform Cushion	88	1	Base
41	1	Caution Decal	89	1	Drive Motor Bracket
42	1	Rear Roller	90	1	M8 Nut
43	1	Walking Platform	91	1	M8 x 102mm Bolt
44	1	Walking Belt	92	2	M8 x 20mm Bolt
45	2	Belt Guide	93	2	M8.4 Star Washer
46	1	Front Roller/Pulley	94	2	M8 Flange Nut
47	2	3/8" Pin	*	-	User's Manual
48	2	9/32" Plastic Bushing			

Note: Specifications are subject to change without notice. For information about ordering replacement parts, see the back cover of this manual. *These parts are not illustrated.

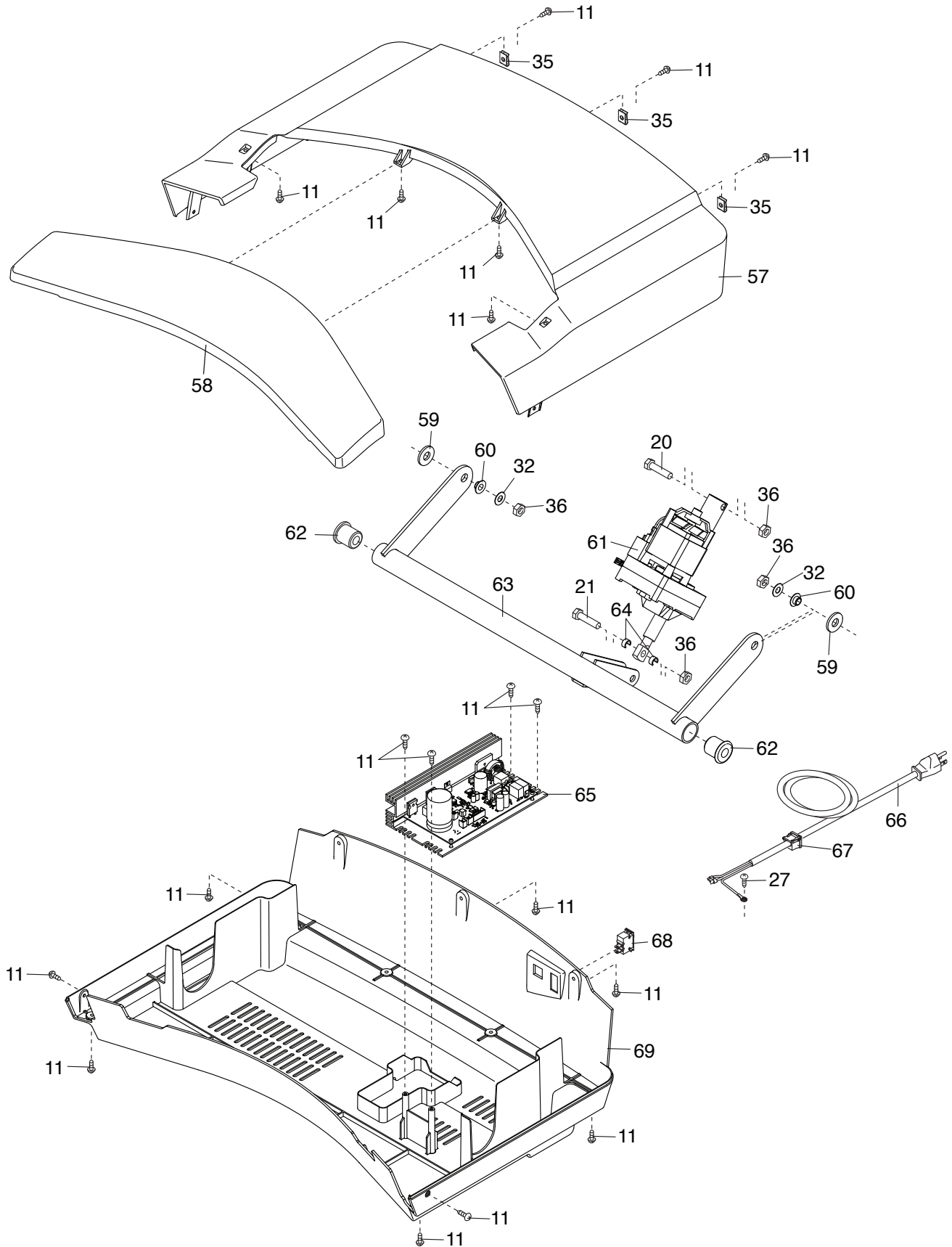
EXPLODED DRAWING A

Model No. NTL59619.1 R0719A



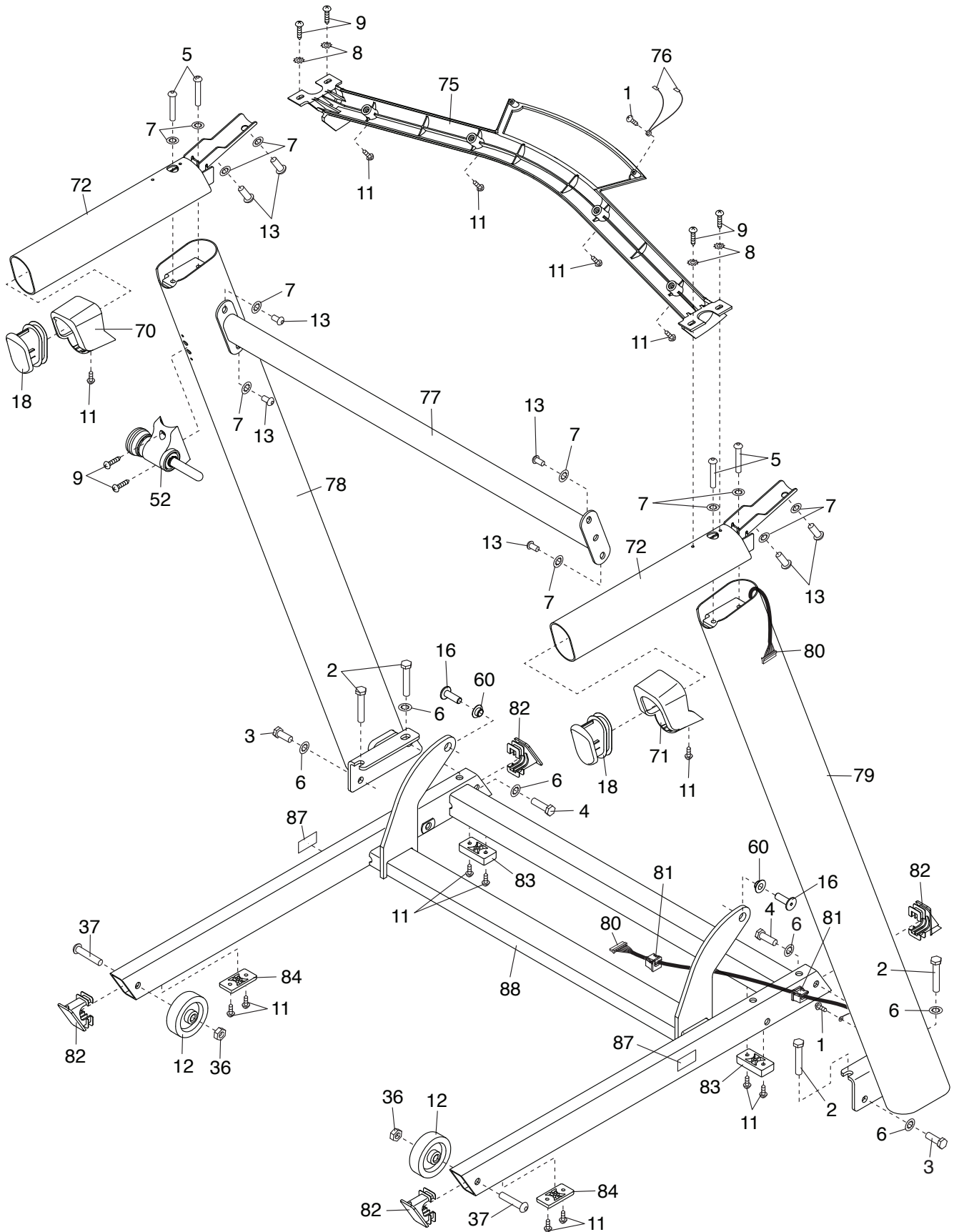
EXPLODED DRAWING B

Model No. NTL59619.1 R0719A



EXPLODED DRAWING C

Model No. NTL59619.1 R0719A



EXPLODED DRAWING D

Model No. NTL59619.1 R0719A

