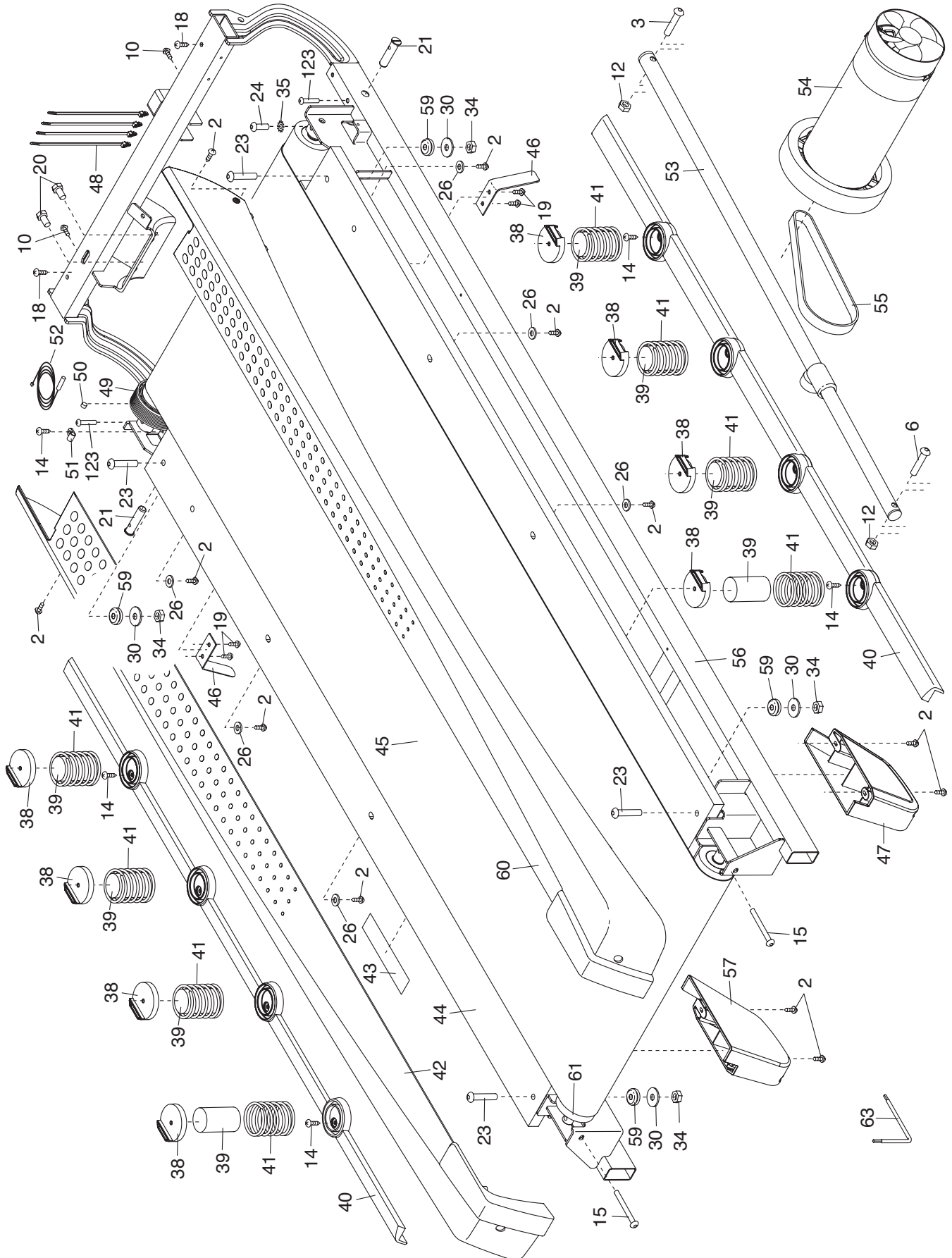


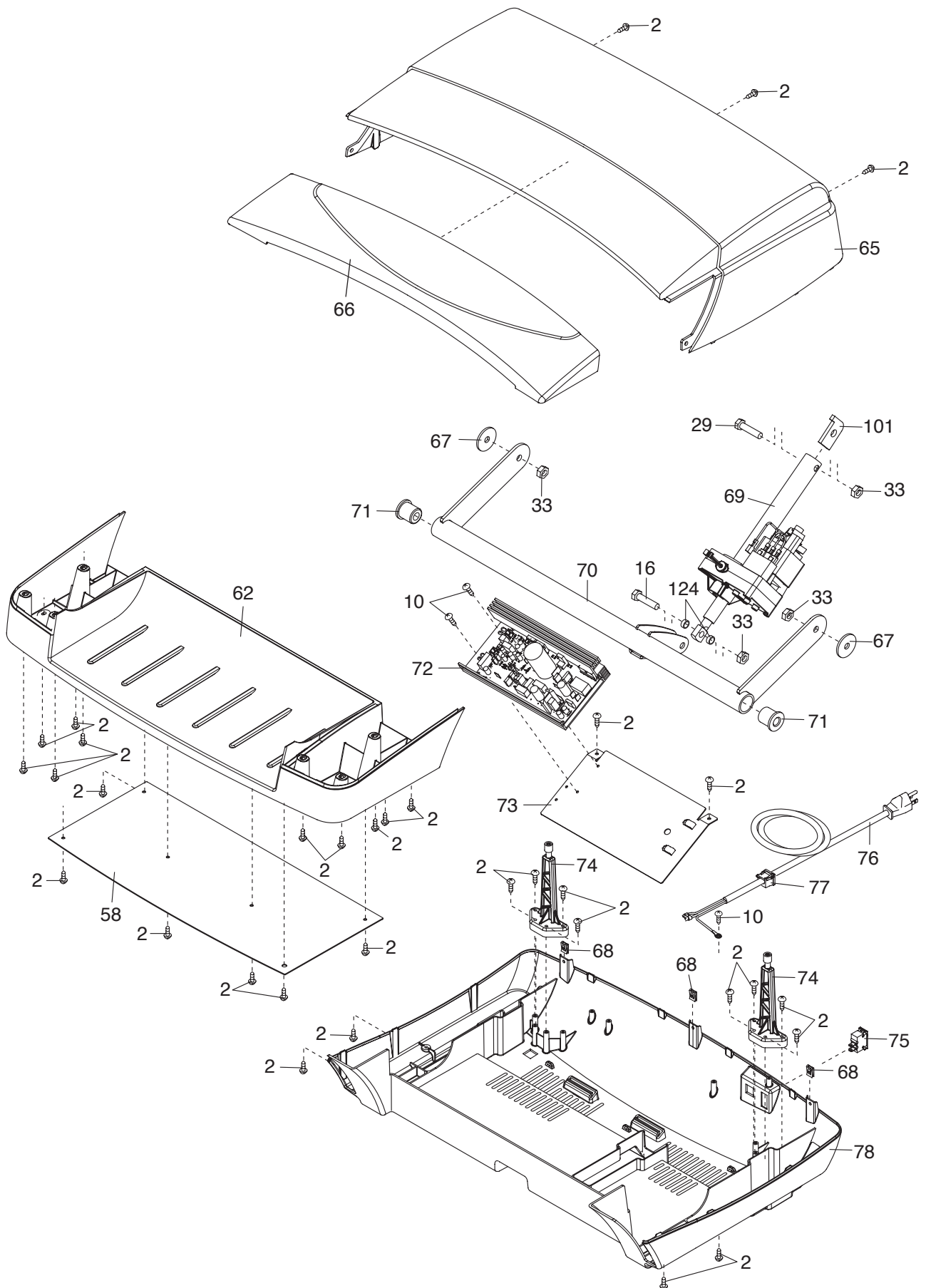
EXPLODED DRAWING A

Model No. NTL99011.0 R0911B



EXPLODED DRAWING B

Model No. NTL99011.0 R0911B



EXPLODED DRAWING D

Model No. NTL99011.0 R0911B

