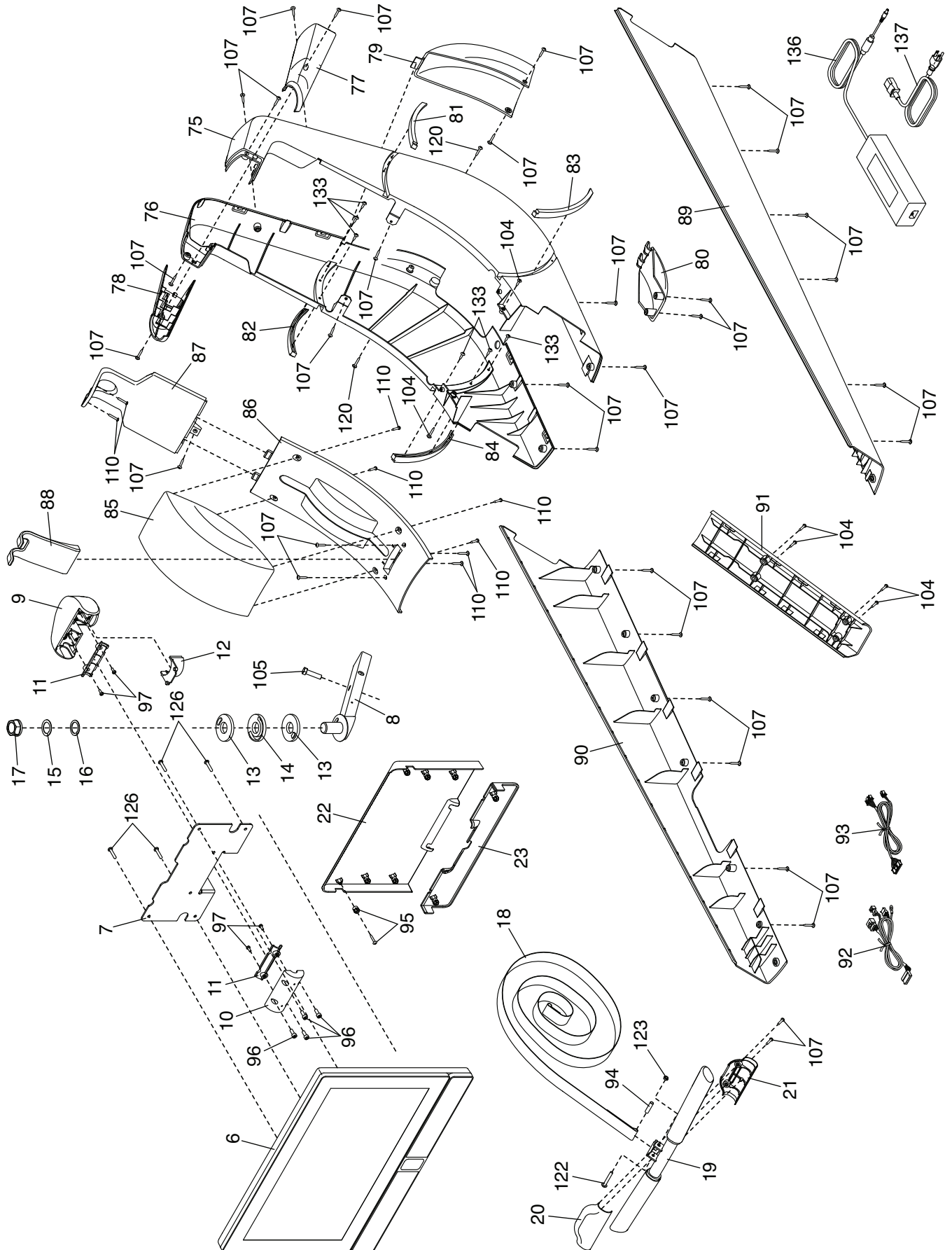


EXPLODED DRAWING A

Model No. NTRW19422.2 R1221A



EXPLODED DRAWING B

Model No. NTRW19422.2 R1221A

