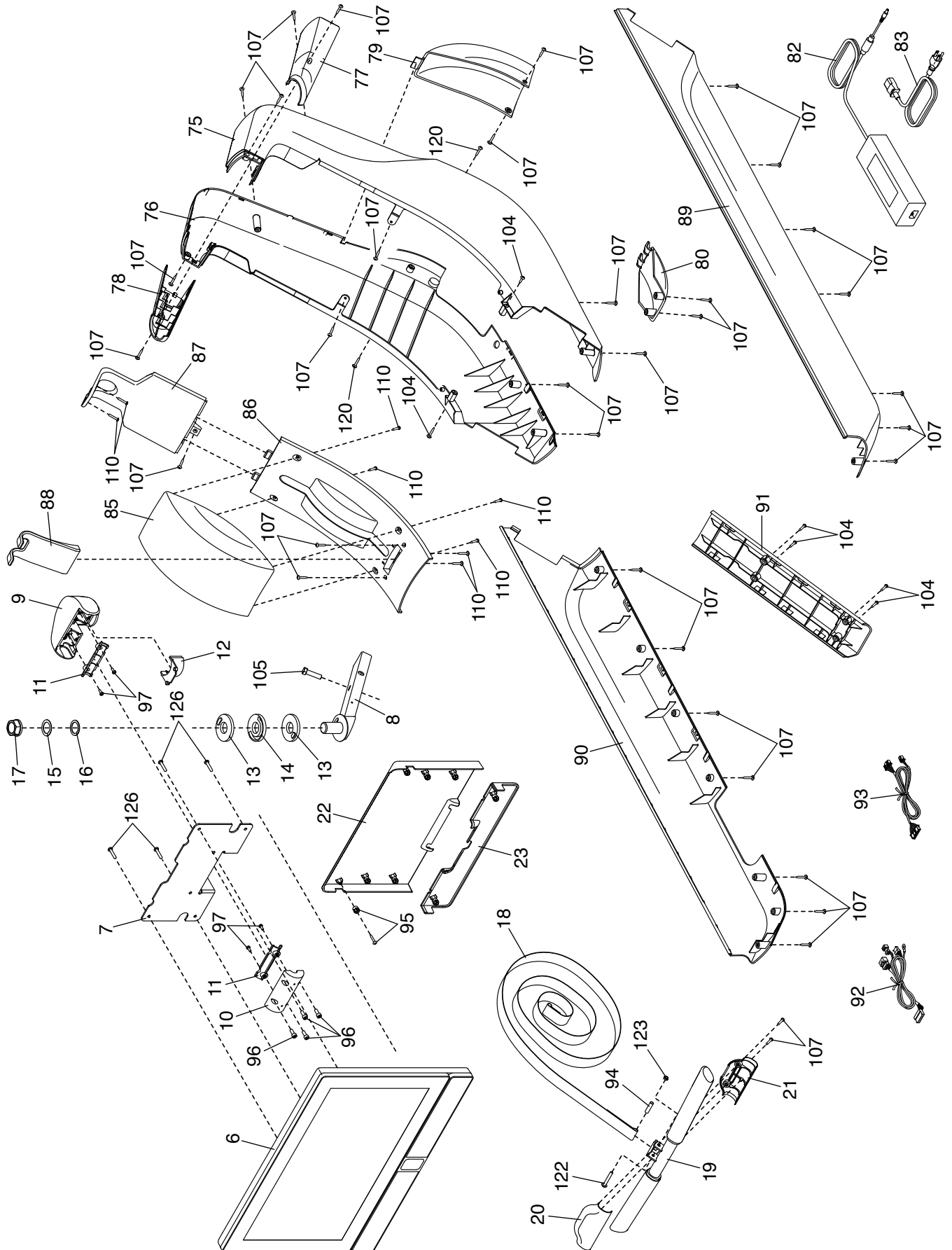


Key No.	Qty.	Description	Key No.	Qty.	Description
101	4	M10 x 20mm Screw	120	2	M4 x 25mm Screw
102	1	M10 x 100mm Screw	121	1	M8 Locknut
103	2	M10 x 60mm Screw	122	1	M6 x 40mm Socket Bolt
104	10	M4 x 19mm Screw	123	5	M6 Locknut
105	1	M10 x 40mm Screw	124	4	M5 x 10mm Screw
106	1	M5 x 16mm Flat Head Screw	125	1	Front Rail Bumper
107	40	M4 x 16mm Screw	126	4	M6 x 20mm Screw
108	5	M10 x 15mm Flat Head Screw	127	1	Key
109	1	M3 x 8mm Screw	128	1	M6 x 16mm Washer
110	23	M4 x 12mm Screw	129	2	M8 Washer
111	2	M6 x 12mm Shoulder Screw	130	2	M8 x 16mm Screw
112	1	17mm C-clip	131	1	M8 x 65mm Bolt
113	2	M5 Nut	132	3	M6 x 30mm Screw
114	7	M10 x 55mm Screw	133	2	M10 Washer
115	12	M6 x 14mm Screw	134	1	Lower Rail End Cover
116	14	M5 Washer	135	4	M6 Shoulder Bolt
117	13	M5 x 8mm Screw	136	4	Roller Spacer
118	23	M6 x 12mm Screw	*	–	User's Manual
119	1	M10 x 65mm Screw	*	–	Assembly Tools

Note: Specifications are subject to change without notice. For information about ordering replacement parts, see the back cover of this manual. \*These parts are not illustrated.

# EXPLODED DRAWING A

Model No. NTRW19423.0 R1022A



# EXPLODED DRAWING B

Model No. NTRW19423.0 R1022A

